

HE4XINV



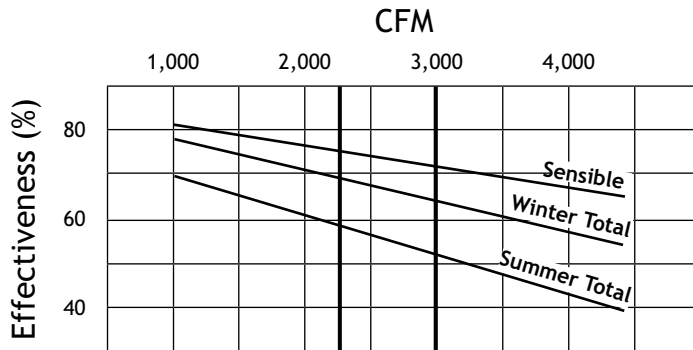
Indoor Unit



Specifications

Ventilation Type: Static Plate, Heat and Humidity Transfer						
Typical Airflow Range: 1,000-4,400 CFM						
AHRI 1060 Certified Core: Four L125-00						
Airflow Rating Points (for AHRI): 3,000 CFM and 2,250 CFM						
Number Motors: Two belt drive blower/motor packages with adjustable sheaves						
HP	Volts	HZ	Phase	FLA (per motor)	Min. Cir. Amps	Max. Overcurrent Protection Device
2	115	60	Single	20.0	45.0	60
	208-230	60	Single	10.8-10.0	24.3	35
	208-230	60	Three	6.0-5.8	13.5	15
	460	60	Three	2.9	6.5	15
	575	60	Three	2.2	5.0	15
3	208-230	60	Single	13.0-11.8	29.3	40
	208-230	60	Three	8.65-7.8	19.5	25
	460	60	Three	3.9	8.8	15
	575	60	Three	3.2	7.2	15
	5	208-230	60	Three	14.2-12.8	32.0
460		60	Three	6.4	14.4	20
575		60	Three	5.0	11.3	15
Standard Features: Totally Enclosed Premium Efficiency Motors Motor Starters, Non-fused Disconnect 24 VAC Transformer/Relay Package						
Filters: Eight total, MERV 8, 2" pleated, 20" x 20" nominal size						
Weight: 841 lbs (unit), 950 lbs (shipping weight, on pallet)						
Shipping Dimensions: 54" L x 90" W x 68" H						

G5 Performance



*At AHRI 1060 standard conditions
(See certified data on page 67 for core components.)

Airflow Performance

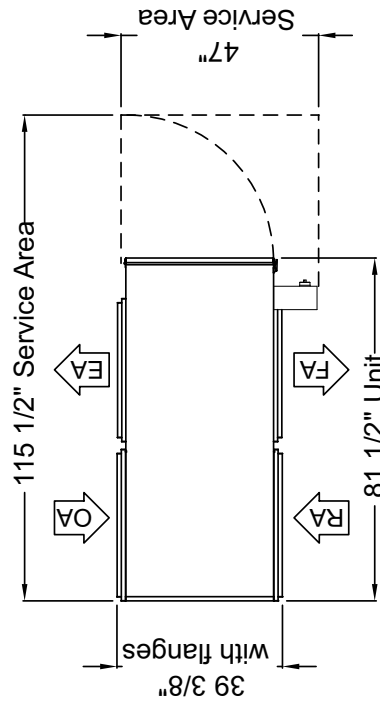
Motor HP	Blower RPM	Turns Open	External Static Pressure (in. w.g.)															
			0.00		0.25		0.50		0.75		1.00		1.25		1.50			
			SCFM	BHP	SCFM	BHP	SCFM	BHP	SCFM	BHP	SCFM	BHP	SCFM	BHP	SCFM	BHP		
2	1191	4	3330	1.4	3015	1.2	2690	1.0	1915	0.8	1085	0.6	1200	0.8	1100	0.9		
	1329	2	3715	1.9	3440	1.7	3100	1.5	2485	1.3	2000	1.0	1200	0.8	1100	0.9		
	1432	0.5	4000	2.4	3740	2.2	3480	2.0	3050	1.7	2490	1.5	1900	1.2	1100	0.9		
	1466	0							3200	1.9	2650	1.6	2120	1.3	1385	1.1		
3	1462	3	4060	2.6	3810	2.4	3550	2.1	3180	1.9	2645	1.6	2075	1.3	1345	1.0		
	1503	2.5	4175	2.8	3940	2.6	3700	2.4	3340	2.1	2885	1.7	2300	1.5	1600	1.2		
	1586	1.5					3950	2.8	3640	2.5	3250	2.3	2745	2.0	2170	1.7		
	1668	0.5							3900	3.0	3600	2.7	3155	2.4	2640	2.1		
	1710	0									3750	3.0	3350	2.7	2975	2.4		
5	1627	4	4393	3.9	4210	3.7	4050	3.6	3800	3.3	3490	3.1	3020	2.7	2385	2.4		
	1731	2					4350	4.3	4150	4.1	3895	3.8	3515	3.5	3055	3.2		
	1836	0							4400	5.0	4250	4.7	3970	4.4	3550	4.0		

Note: Brake Horse Power (BHP) is for one blower motor package only.

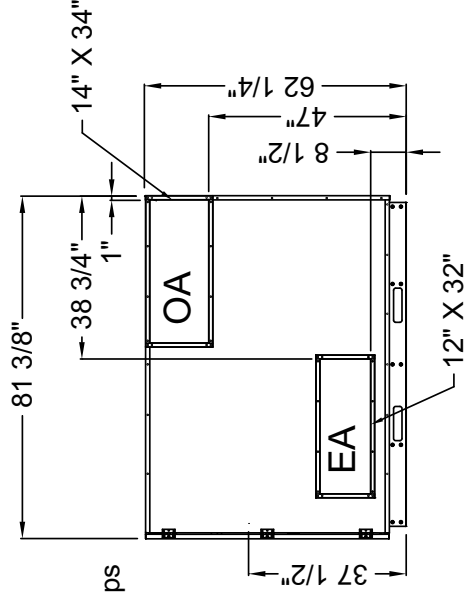
Operation in this zone will likely exceed FLA limits. Operation in this zone outside of core airflow limits.

HE4XINV UNIT DIMENSIONS

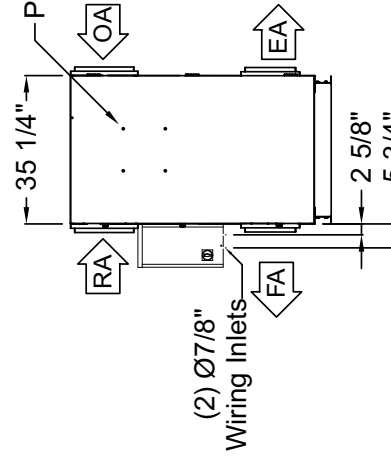
EA: Exhaust Air to outdoors
 OA: Outdoor Air Intake
 RA: Room Air to be exhausted
 FA: Fresh Air to inside



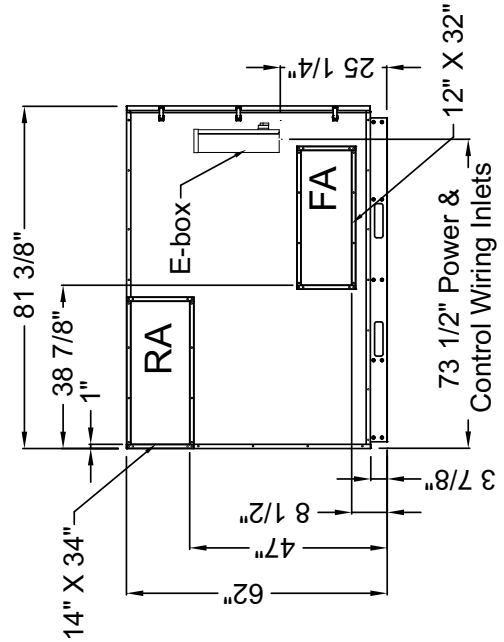
Top View



Right View



Front View



Left View