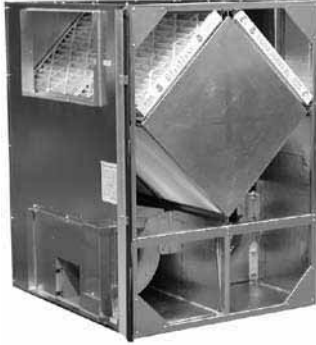


HE2XINV



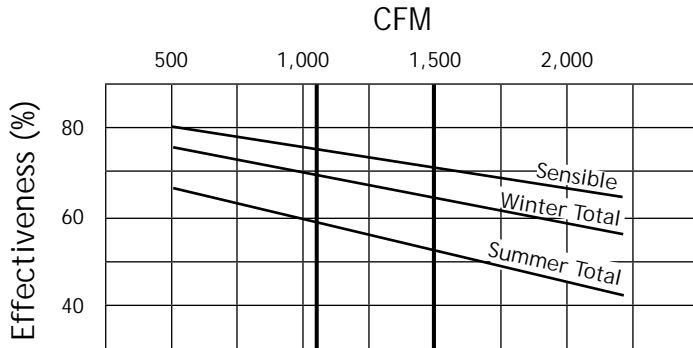
Indoor Unit



Specifications

Ventilation Type: Static Plate, Heat and Humidity Transfer							
Typical Airflow Range: 500-2,000 CFM							
AHRI 1060 Certified Core: Two L125-00							
Airflow Rating Points (for AHRI): 1,500 CFM and 1,120 CFM							
Number Motors: Direct Drive (DD) Four, Belt Drive (BD) Two							
Drive HP	Volts	HZ	Phase	FLA	Min. Cir. Amps	Max. Fuse Size	
DD 0.75	115	60	Single	8.6	36.6	45	
	208-230	60	Single	4.3	18.3	20	
	277	60	Single	2.4	10.2	15	
	208-230	60	Three	2.1	9.8	15	
460	60	60	Three	1.1	4.9	15	
	BD 1.5	208-230	60	Single	9.3-9.0	20.9	30
		208-230	60	Three	4.8-4.8	10.8	15
		460	60	Three	2.4	5.4	15
575	60	60	Three	1.8	4.1	15	
	BD 2	208-230	60	Single	11.3-10.5	25.4	35
		208-230	60	Three	6.2-6.2	14.0	20
		460	60	Three	3.1	7.0	15
575	60	60	Three	2.3	5.2	15	
	Control Voltage: 24 VAC						
	Filters: Four total, MERV 8, 2" pleated, 20" x 20" nominal size						
	Weight: 399 lbs (unit), 420 lbs (shipping weight)						
Shipping Dimensions: 48" W x 62" L x 55" H							

G5 Performance



*At AHRI 1060 standard conditions
(See certified data on page 67 for core components.)

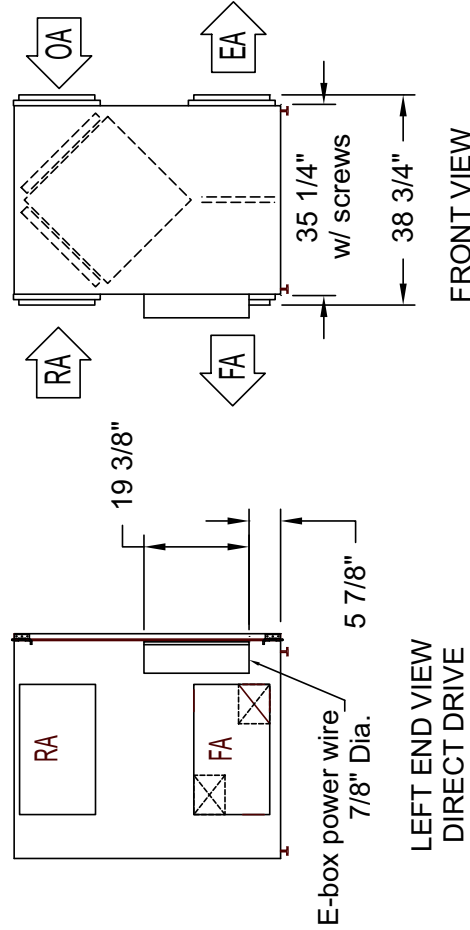
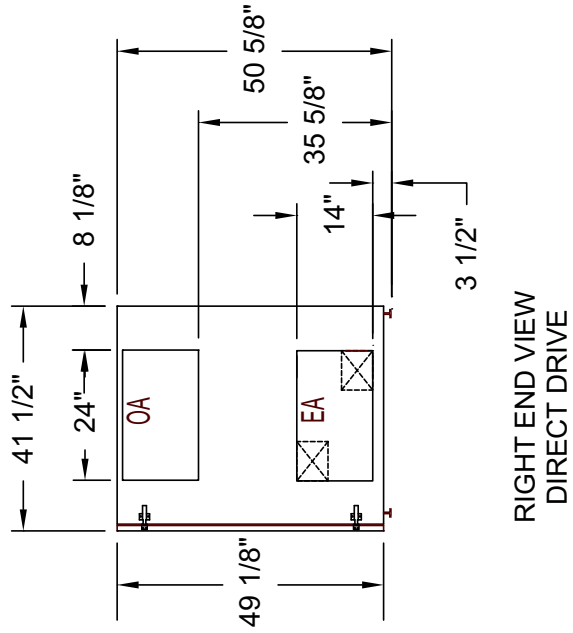
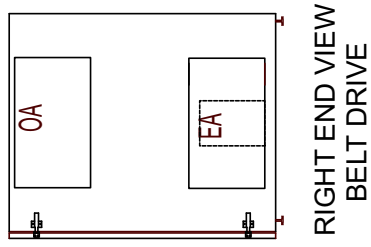
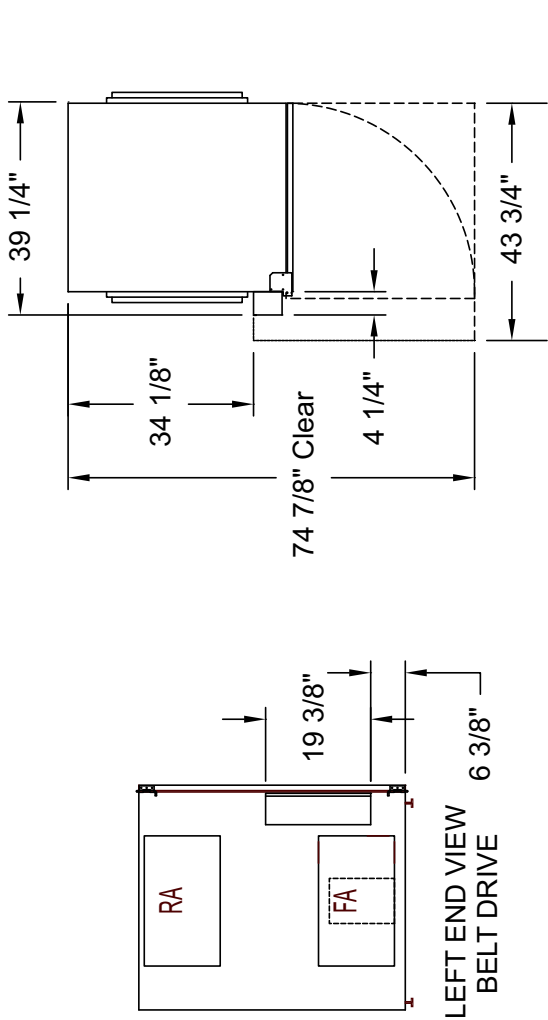
Airflow Performance

Motor HP	Blower RPM Nominal	Turns Open	External Static Pressure (Inches Water Column)													
			0.0		0.25		0.5		0.75		1.0		1.25		1.5	
			CFM	BHP	CFM	BHP	CFM	BHP	CFM	BHP	CFM	BHP	CFM	BHP	CFM	BHP
0.75 (Four DD) Single Phase	N/A	N/A	1,870	0.5	1,720	0.5	1,520	0.4	1,290	0.4	1,080	0.4	700	-	-	-
	N/A	N/A	2,160	0.9	2,070	0.9	1,900	0.8	1,715	0.8	1,505	0.8	1,210	0.6	-	-
0.75 (Four DD) Three Phase	N/A	N/A	1,870	0.5	1,720	0.5	1,540	0.4	1,350	0.4	1,240	0.4	1,030	0.4	800	0.4
	N/A	N/A	2,500	0.9	2,300	0.9	2,125	0.8	1,950	0.8	1,730	0.8	1,490	0.6	1,240	0.6
1.5 (BD)	1,000	4.5	1,378	0.5	1,175	0.5	900	0.4	635	0.4	-	-	-	-	-	-
	1,230	2	1,694	0.9	1,550	0.9	1,335	0.8	1,125	0.7	1,000	0.7	500	0.6	-	-
	1,420	0	1,956	1.4	1,850	1.4	1,680	1.2	1,475	1.2	1,300	1.1	1,200	1.1	930	0.9
2 (BD)	1,220	4.5	1,681	0.9	1,530	0.9	1,315	0.7	1,100	0.7	975	0.6	430	0.6	-	-
	1,470	2	2,025	1.6	1,925	1.5	1,750	1.4	1,575	1.3	1,375	1.2	1,275	1.2	1,125	1.1
	1,660	0	-	-	-	-	2,000	2.0	1,900	1.9	1,750	1.8	1,570	1.7	1,475	1.7

Note: Brake Horse Power (BHP) is for one blower motor package only.

HE2XIN V UNIT DIMENSIONS

EA: Exhaust Air to outdoors
 OA: Outdoor Air Intake
 RA: Room Air to be exhausted
 FA: Fresh Air to inside



Note: All duct flanges are 14" x 24".