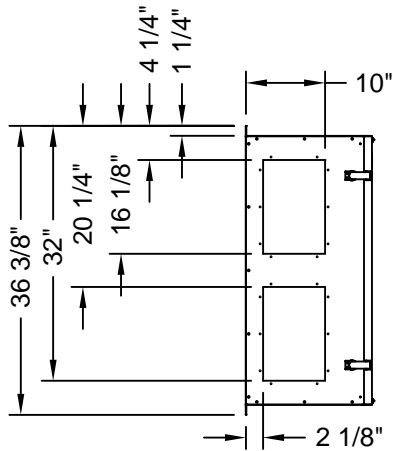
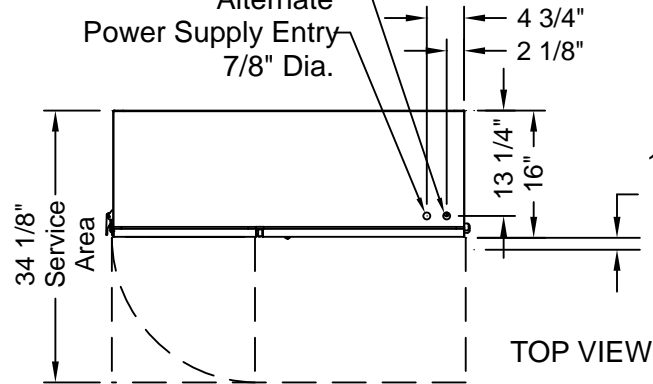
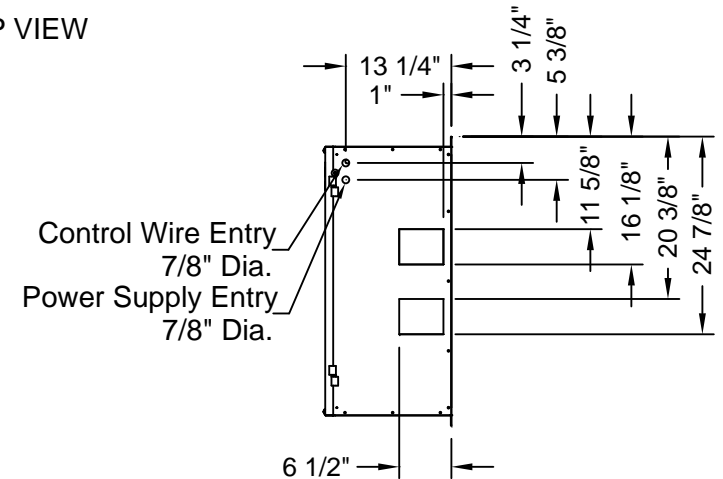
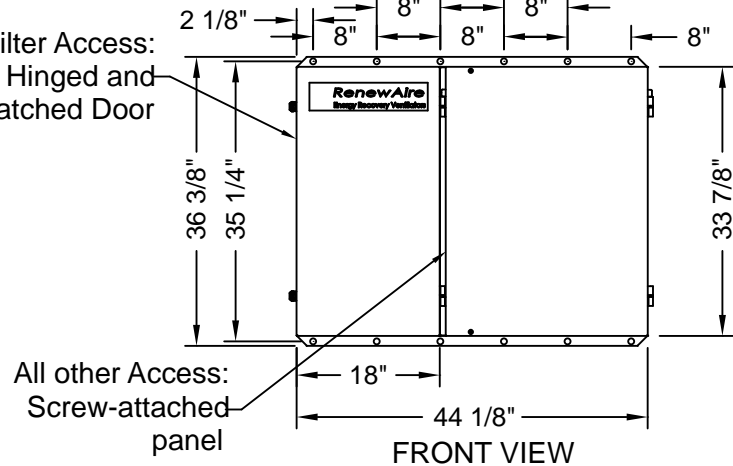


Alternate Control Wire Entry
7/8" Dia.
Alternate Power Supply Entry
7/8" Dia.



Filter Access:
Hinged and Latched Door



EA: Exhaust Air to outside
OA: Outside Air intake
RA: Room Air to be exhausted
FA: Fresh Air to inside

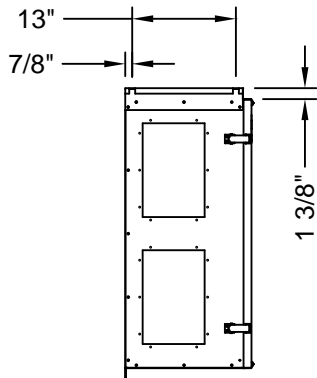
Customer Approvals

Scale: 1" = 24"
Do not scale drawing

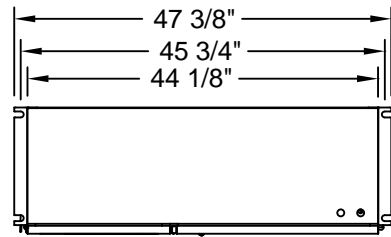
EV450 Dimensions

RenewAire LLC

450EVDIMSJUN10

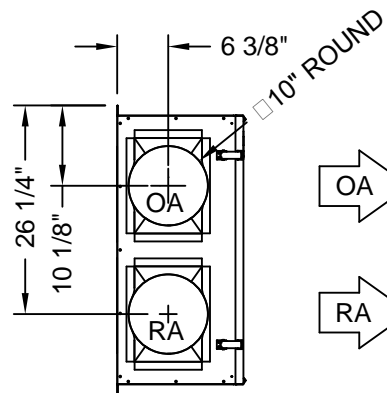
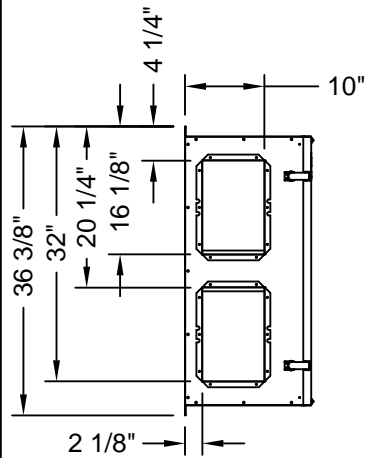


LEFT VIEW

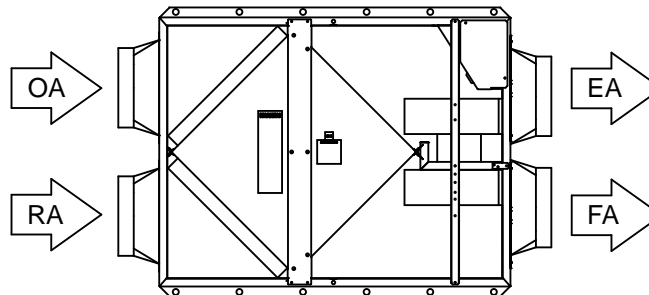


TOP VIEW

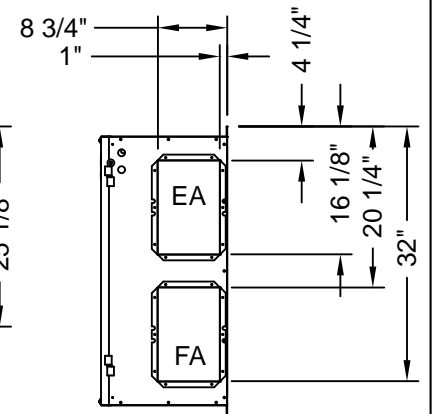
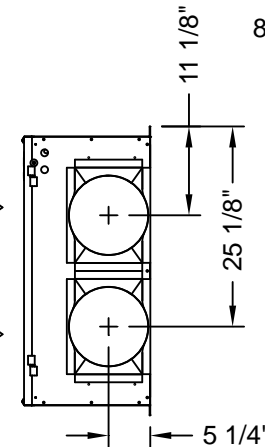
Optional Hanging Bracket
(45EVHB) shown



LEFT VIEWS
Optional 45EVT10-10" Round
Transition Kit Shown



FRONT VIEW (Doors removed)



RIGHT VIEWS
Optional 45EVDF Rectangular
12" X 8" Flange Kit Shown

Optional Transitions (45EVT10) shown

EA: Exhaust Air to outside OA: Outside Air intake RA: Room Air to be exhausted FA: Fresh Air to inside	Customer Approvals	Scale: 1" = 24" Do not scale drawing	EV450 Dimensions
		RenewAire LLC	450EVDIMSJUN10