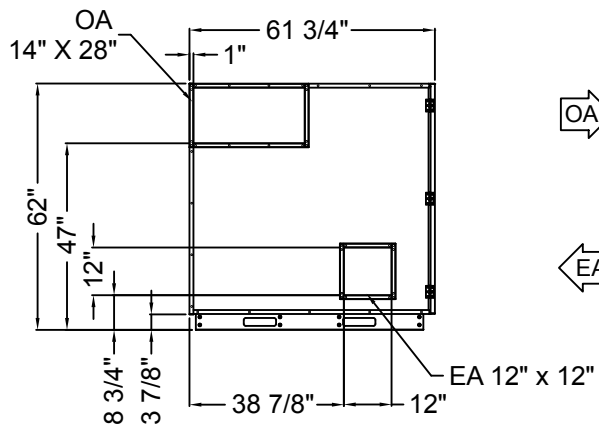
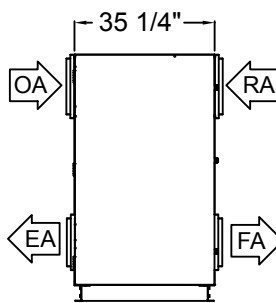


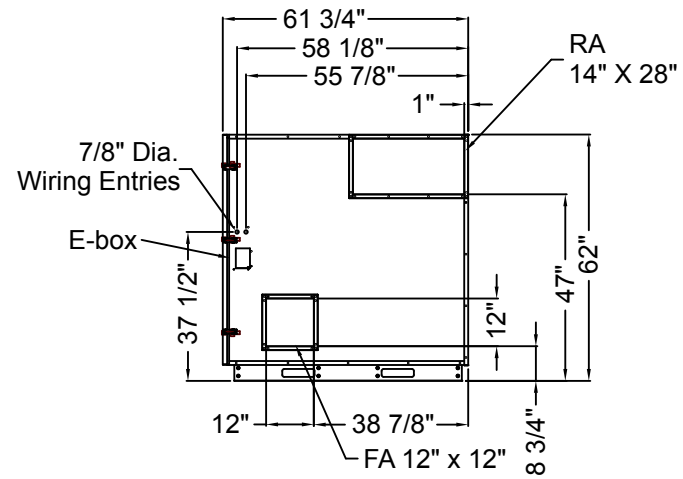
Top View



Left View



Front View



Right View

EA: Exhaust Air to outside
 OA: Outside Air intake
 RA: Room Air to be exhausted
 FA: Fresh Air to inside

Customer Approvals

Scale: 1" = 48"
 Do not scale drawing

HE-3XINV Dimensions

RenewAire LLC

HE-3XINVDIMSSEP06.dwg