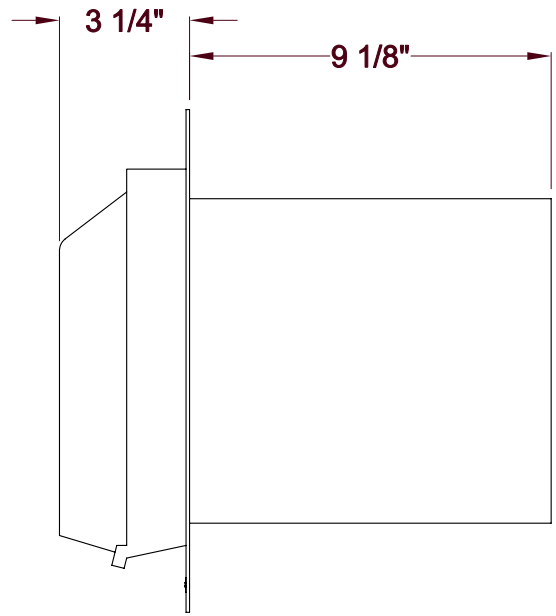
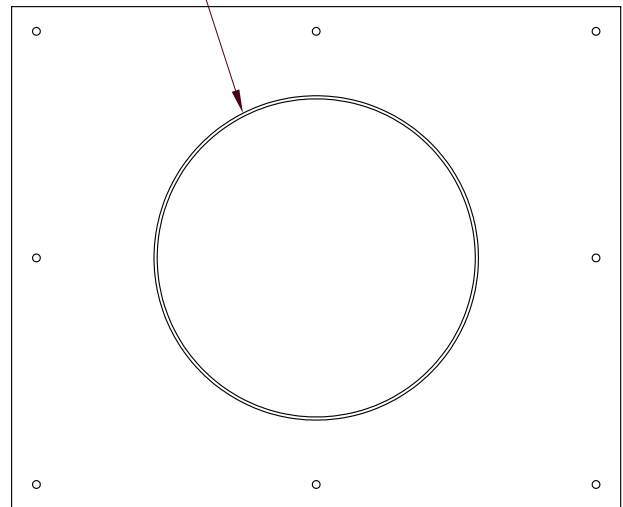


VIEW FROM OUTSIDE



VIEW FROM SIDE

TO FIT STANDARD 8 INCH
ROUND METAL DUCT INSIDE



VIEW FROM INSIDE

NOTES:

1. REMOVE BACKDRAFT DAMPERS FOR USE AS INTAKE.
2. TOTAL FREE INTAKE AREA = 48.9 SQ. INCHES.

		VT8DIMS_DEC06.dwg
		VT8 8 INCH TAUPE WALL CAP Dimension Drawing
	12-20-06	RenewAire LLC