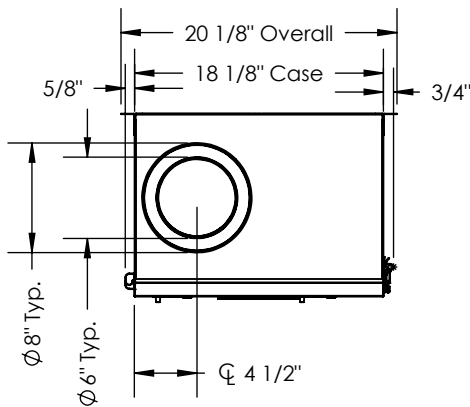
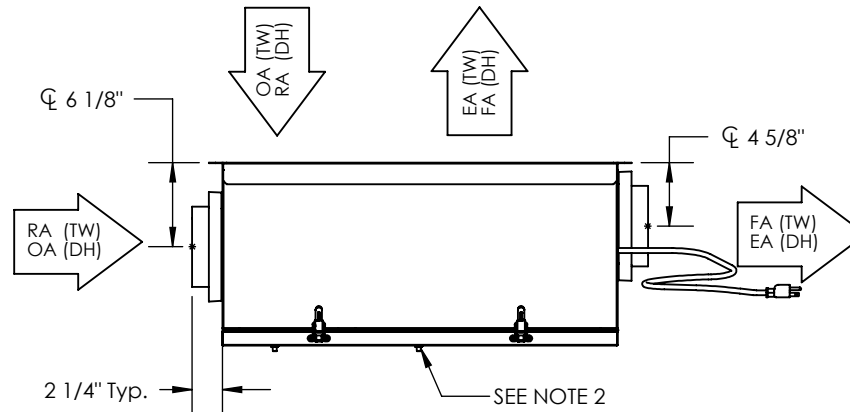


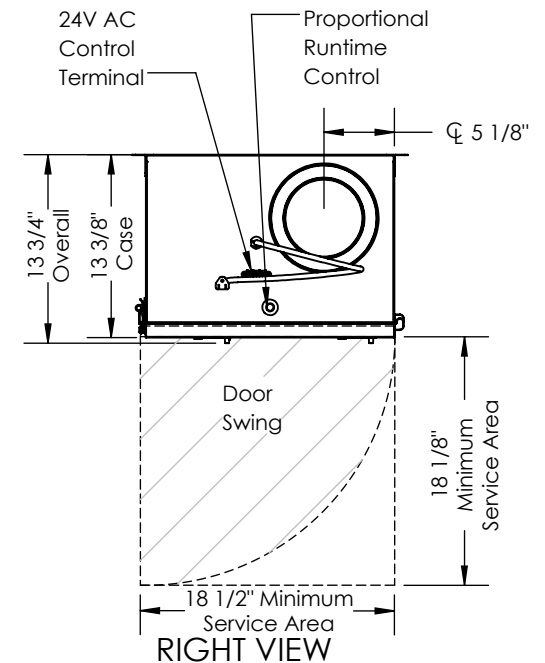
TOP VIEW



LEFT VIEW



FRONT VIEW



RIGHT VIEW

ABBREVIATIONS

EA: Exhaust Air to outside
 OA: Outside Air intake
 RA: Room Air to be exhausted
 FA: Fresh Air to inside
 TW: Thru Wall
 DH: Duct Hung

INSTALLATION ORIENTATION

Unit may be installed in any orientation.

NOTE

1. UNLESS OTHERWISE SPECIFIED, DIMENSIONS ARE ROUNDED TO THE NEAREST EIGHTH OF AN INCH.
2. PRESSURE PORTS FOR EACH AIR STREAM ARE LOCATED ON DOOR OF UNIT.
3. SPECIFICATIONS MAY BE SUBJECT TO CHANGE WITHOUT NOTICE.