

**ABBREVIATIONS**

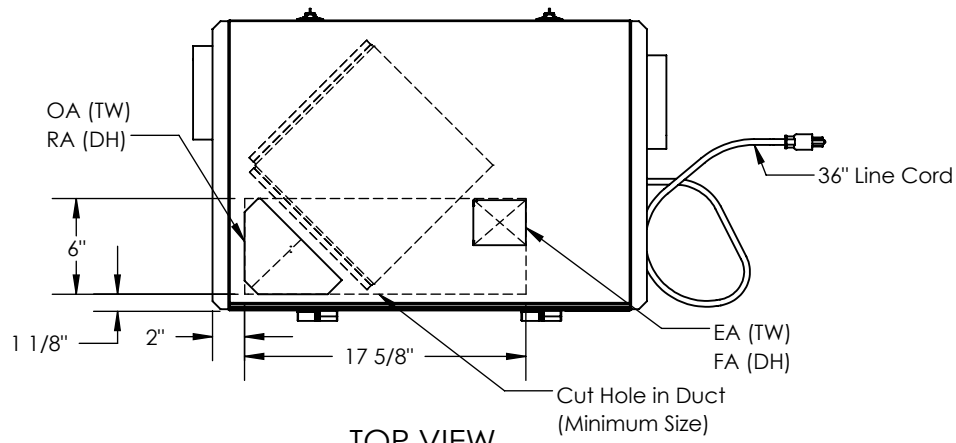
EA: Exhaust Air to outside  
 OA: Outside Air intake  
 RA: Room Air to be exhausted  
 FA: Fresh Air to inside  
 TW: Thru Wall  
 DH: Duct Hung

**INSTALLATION ORIENTATION**

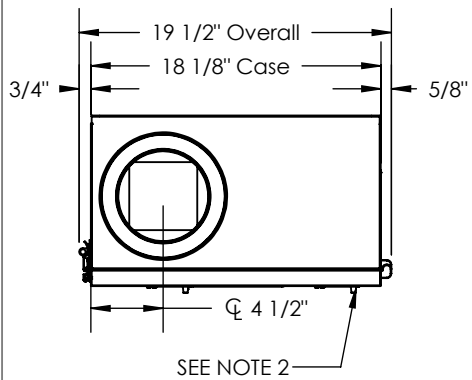
Unit may be installed in any orientation.

**NOTE**

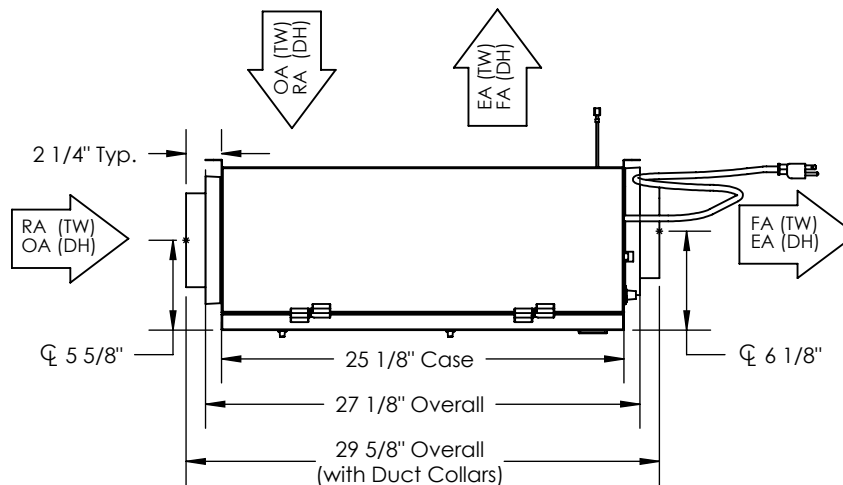
1. UNLESS OTHERWISE SPECIFIED, DIMENSIONS ARE ROUNDED TO THE NEAREST EIGHTH OF AN INCH.
2. PRESSURE PORTS FOR EACH AIR STREAM ARE LOCATED ON DOOR OF UNIT.
3. SPECIFICATIONS MAY BE SUBJECT TO CHANGE WITHOUT NOTICE.



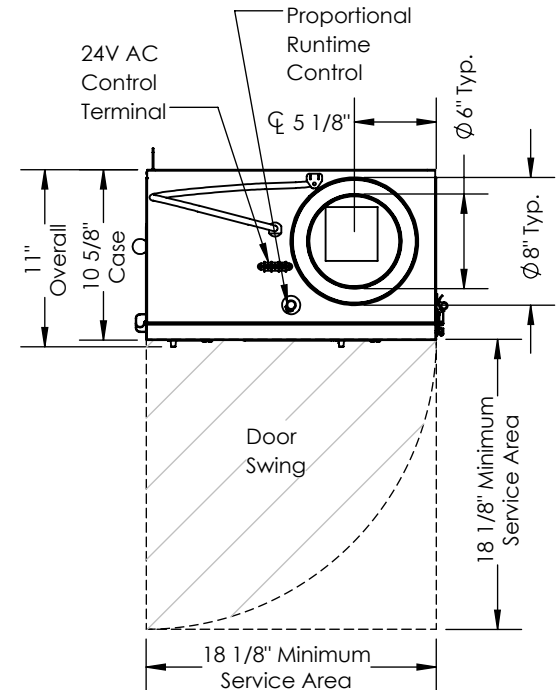
TOP VIEW



LEFT VIEW



FRONT VIEW



RIGHT VIEW