

ABBREVIATION

EA: Exhaust Air to outside
OA: Outside Air intake
RA: Room Air to be exhausted
FA: Fresh Air to inside

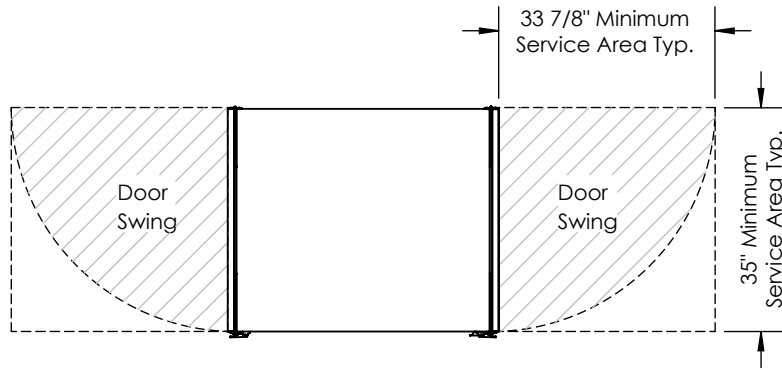
INSTALLATION ORIENTATION

Unit may be installed in any orientation.

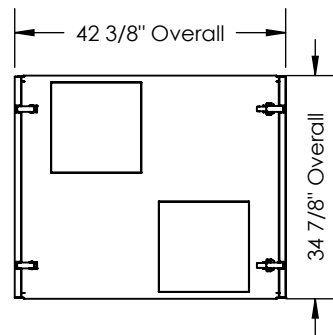
NOTE:

1. UNLESS OTHERWISE SPECIFIED, DIMENSIONS ARE ROUNDED TO THE NEAREST EIGHTH OF AN INCH.

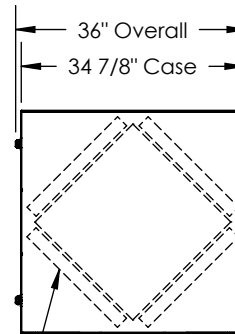
2. SPECIFICATIONS MAY BE SUBJECT TO CHANGE WITHOUT NOTICE.



TOP VIEW

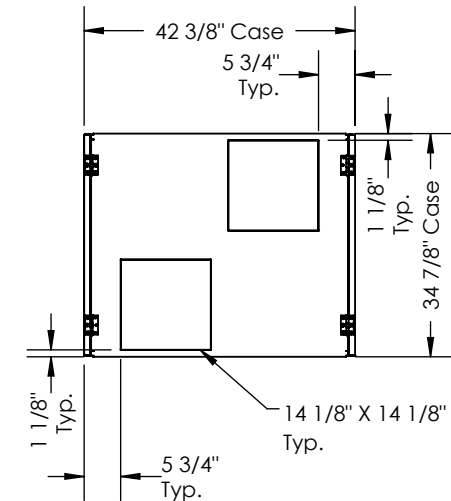


LEFT VIEW



Note: Pleated, disposable 20" X 20" X 2" filters are provided for installation and are interchangeable based on your airflow path requirements. Filters are to be mounted upstream to the core in the direction of airflow entering the unit.

FRONT VIEW



RIGHT VIEW