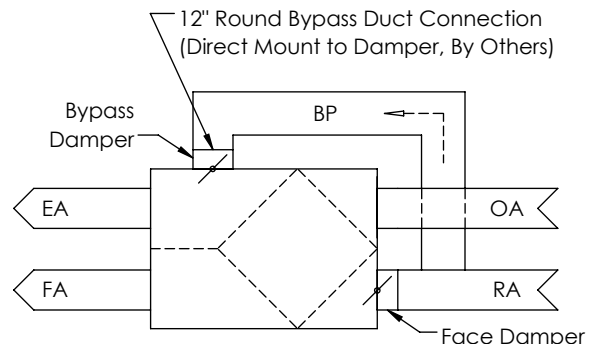


TOP VIEW



BYPASS AIRFLOW SCHEMATIC FRONT VIEW

ABBREVIATIONS
 EA: Exhaust Air to Outside
 OA: Outside Air Intake
 RA: Room Air to be Exhausted
 FA: Fresh Air to Inside
 BP: Bypass Air Intake

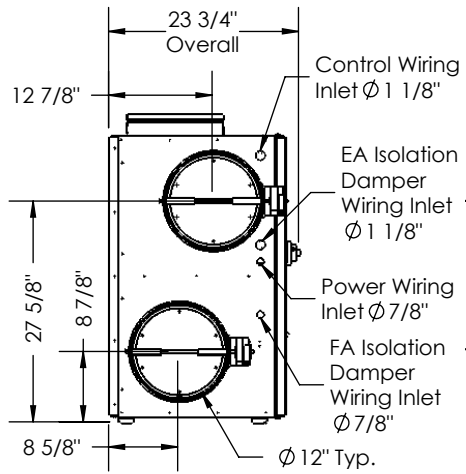
INSTALLATION ORIENTATION
 Unit may be installed in any orientation.

NOTE
 1. UNLESS OTHERWISE SPECIFIED, DIMENSIONS ARE ROUNDED TO THE NEAREST EIGHTH OF AN INCH.

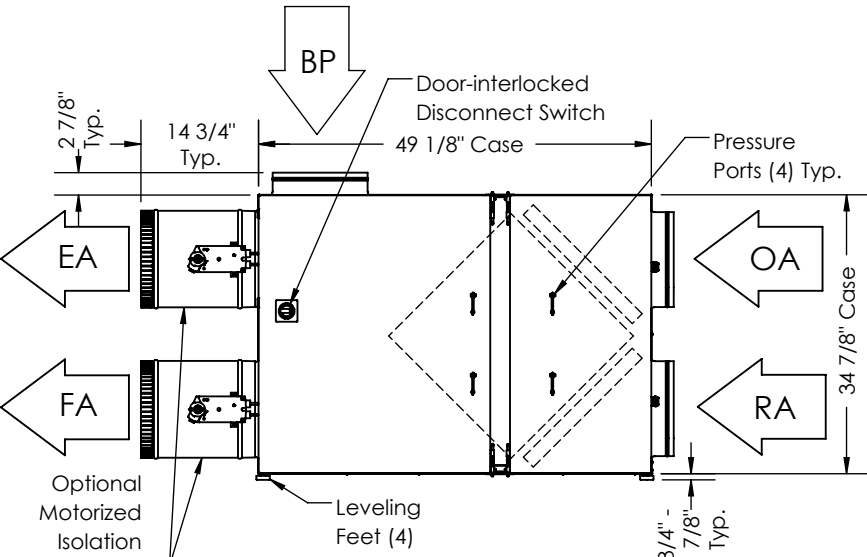
2. SPECIFICATIONS MAY BE SUBJECT TO CHANGE WITHOUT NOTICE.

3. UNITS WITH BYPASS WILL REQUIRE ADDITIONAL SPACE FOR THE CONNECTION OF THE BYPASS DUCT (BY OTHERS).

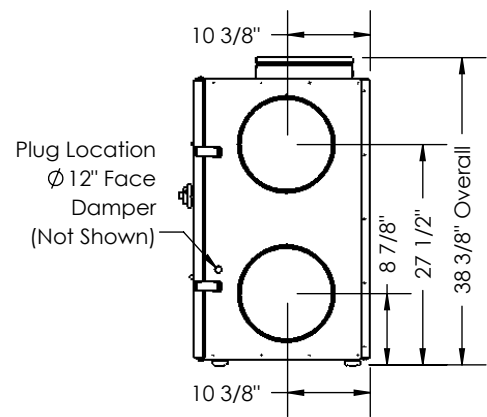
4. FOR INSTALLATION DETAILS, REFER TO I&O MANUAL SUPPLEMENT FOR BYPASS.



LEFT VIEW



FRONT VIEW



RIGHT VIEW