

ABBREVIATIONS

EA: Exhaust Air to Outside
 OA: Outside Air Intake
 RA: Room Air to be Exhausted
 FA: Fresh Air to Inside
 BP: Bypass Air Intake

INSTALLATION ORIENTATION

Unit may be installed in any orientation.

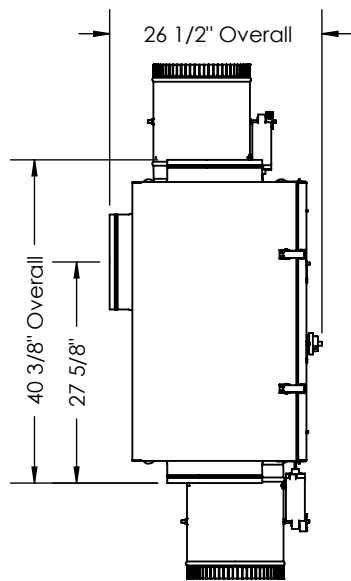
NOTE

1. UNLESS OTHERWISE SPECIFIED, DIMENSIONS ARE ROUNDED TO THE NEAREST EIGHTH OF AN INCH.

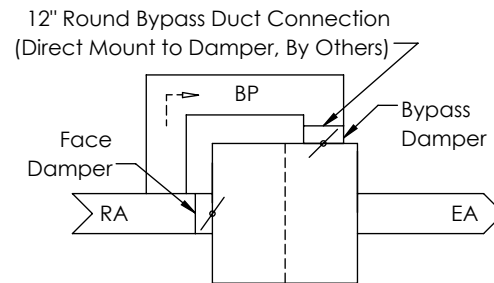
2. SPECIFICATIONS MAY BE SUBJECT TO CHANGE WITHOUT NOTICE.

3. UNITS WITH BYPASS WILL REQUIRE ADDITIONAL SPACE FOR THE CONNECTION OF THE BYPASS DUCT (BY OTHERS).

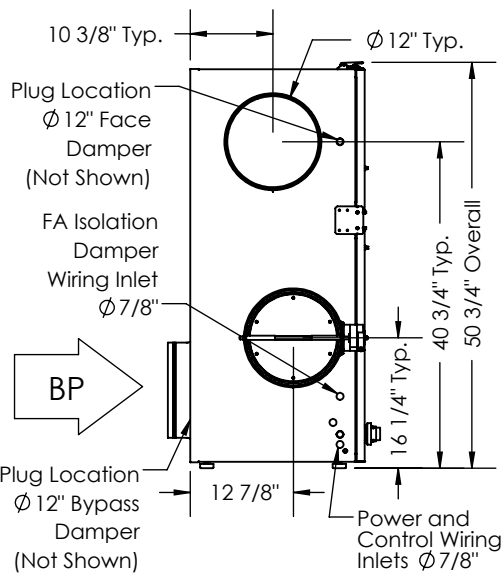
4. FOR INSTALLATION DETAILS, REFER TO I&O MANUAL SUPPLEMENT FOR BYPASS.



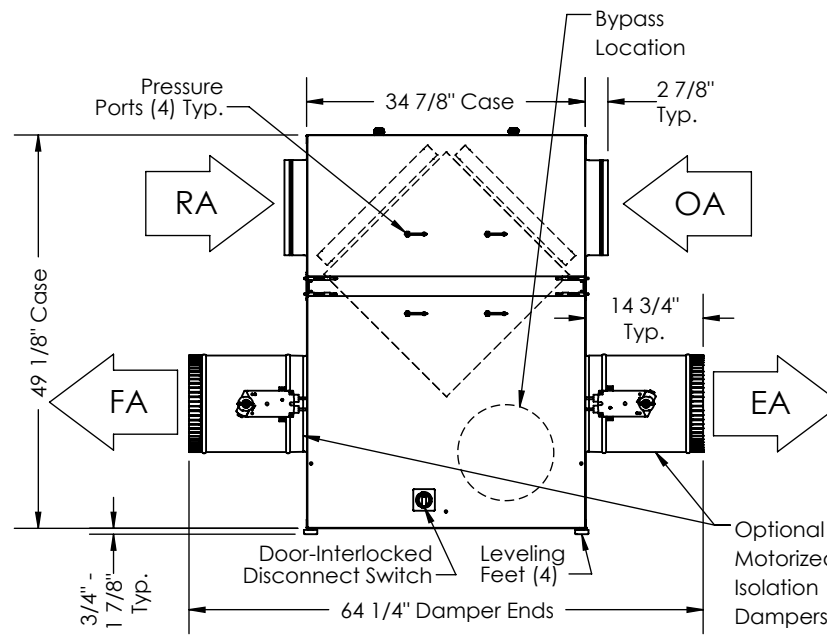
TOP VIEW



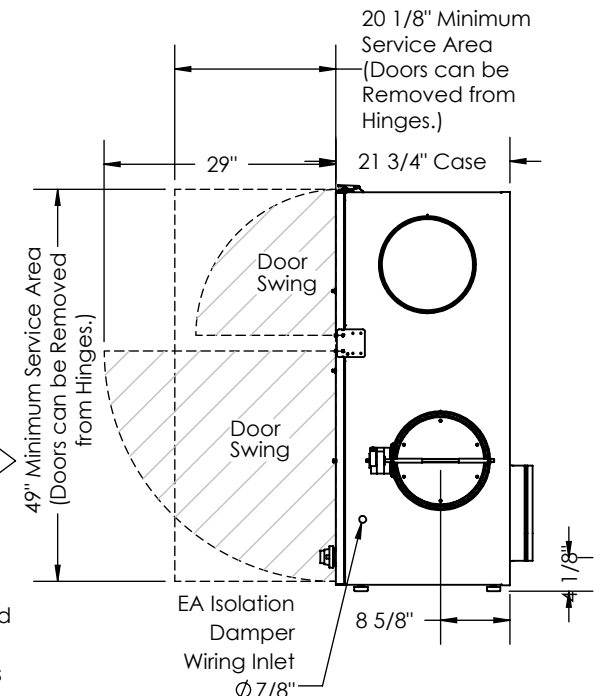
BYPASS AIRFLOW SCHEMATIC
 TOP VIEW
 (OA/FA Airstream Not Shown)



LEFT VIEW



FRONT VIEW



RIGHT VIEW

Model: HE1XINV [Bypass]
 Drawing Type: Unit Dimension
 Version: JAN17