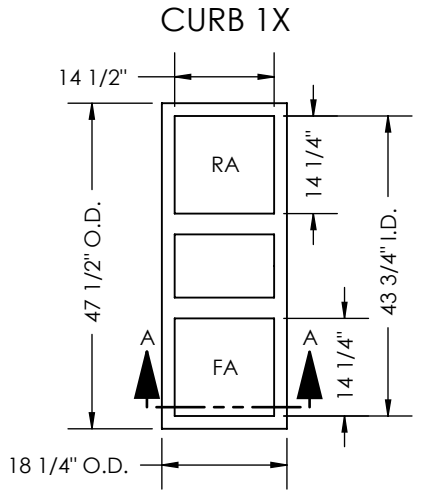
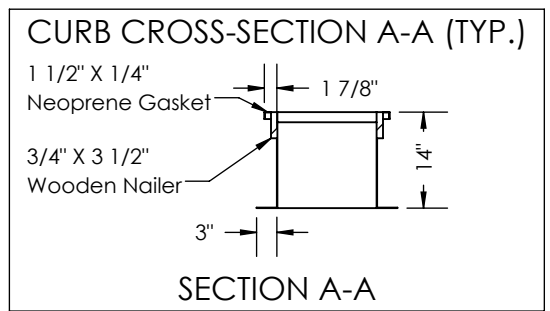


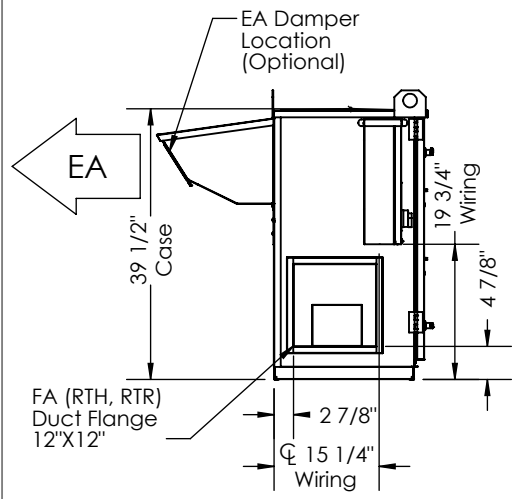
TOP VIEW



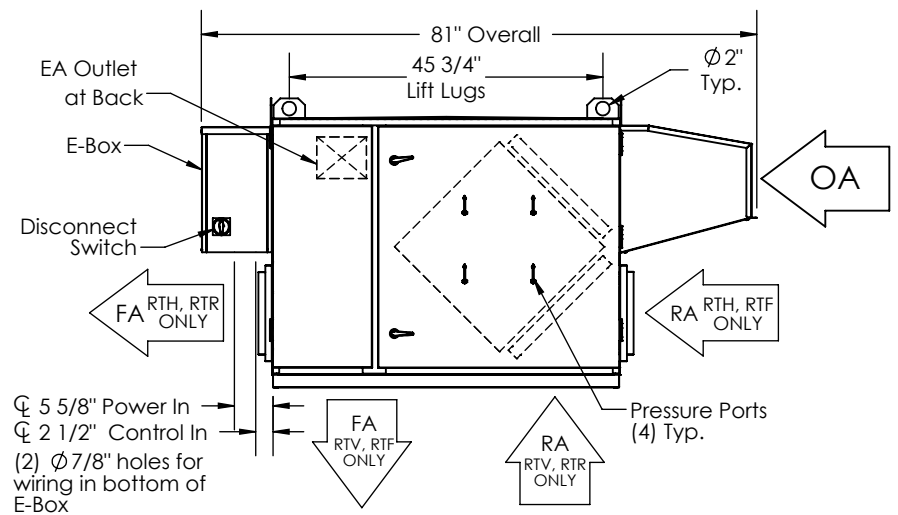
TOP VIEW



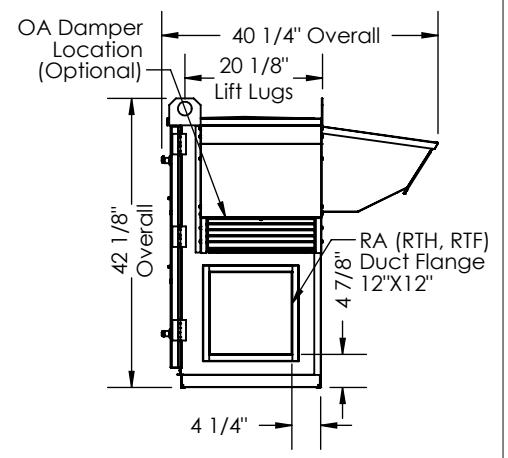
SECTION A-A



LEFT VIEW



FRONT VIEW



RIGHT VIEW

**ABBREVIATIONS**  
 EA: Exhaust Air to outside  
 OA: Outside Air intake  
 RA: Room Air to be exhausted  
 FA: Fresh Air to inside  
 RTV: Rooftop Vertical RA & FA  
 RTF: Rooftop Vertical FA Only  
 RTR: Rooftop Vertical RA Only  
 RTH: Rooftop Horizontal RA & FA

**INSTALLATION ORIENTATION**  
 Unit must be installed in orientation shown.

**NOTE:**  
 1. UNLESS OTHERWISE SPECIFIED, DIMENSIONS ARE ROUNDED TO THE NEAREST EIGHTH OF AN INCH.  
 2. SPECIFICATIONS MAY BE SUBJECT TO CHANGE WITHOUT NOTICE.