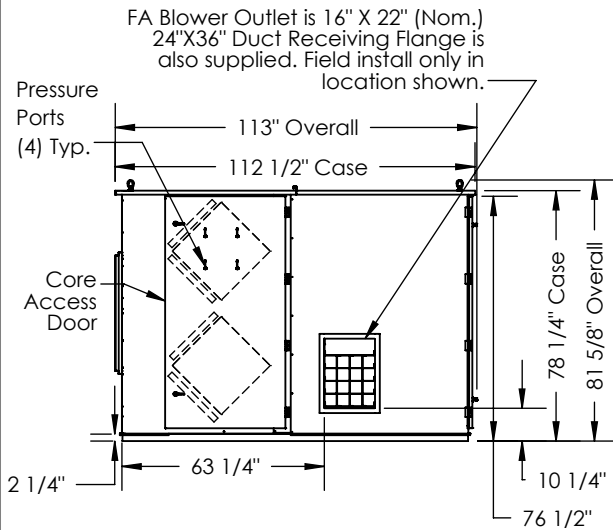
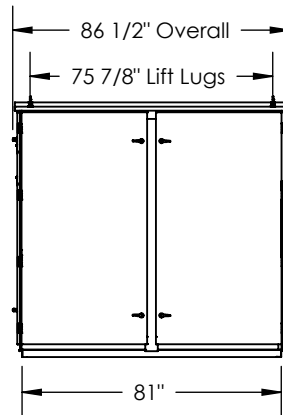


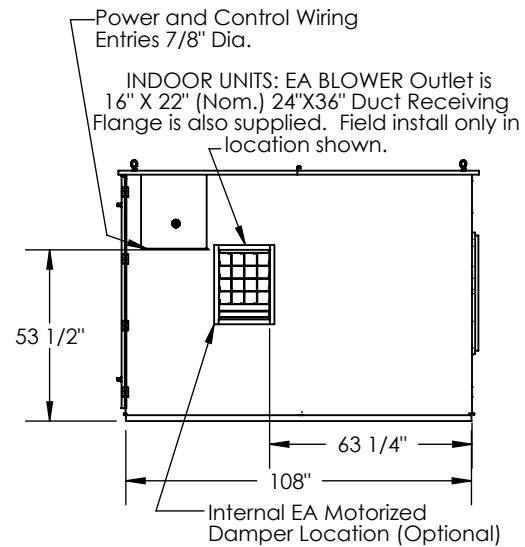
TOP VIEW



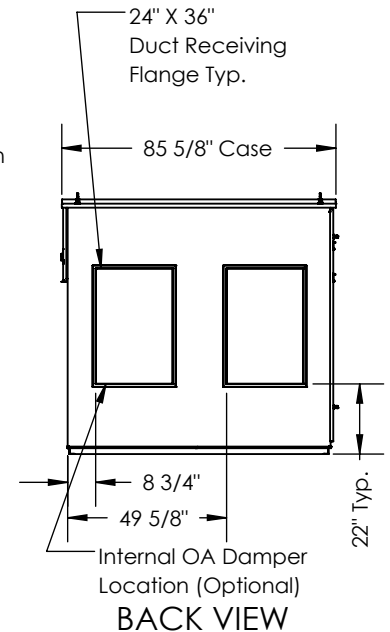
LEFT VIEW



FRONT VIEW



RIGHT VIEW



BACK VIEW

ABBREVIATIONS

EA: Exhaust Air to outside
 OA: Outside Air intake
 RA: Room Air to be exhausted
 FA: Fresh Air to inside

INSTALLATION ORIENTATION

Unit must be installed in orientation shown.

NOTE

1. ALL UNITS HAVE INTERNAL EA BACKDRAFT DAMPER. UNLESS AN EA MOTORIZED ISOLATION DAMPER IS SPECIFIED.

2. UNLESS OTHERWISE SPECIFIED, DIMENSIONS ARE ROUNDED TO THE NEAREST EIGHTH OF AN INCH.

3. SPECIFICATIONS MAY BE SUBJECT TO CHANGE WITHOUT NOTICE.