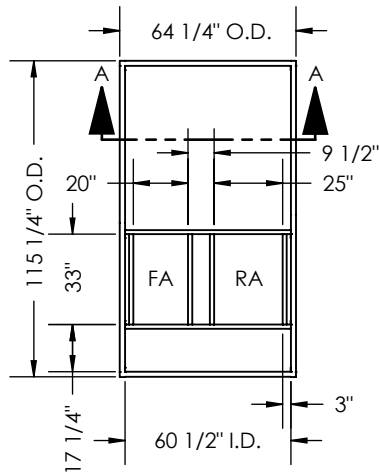
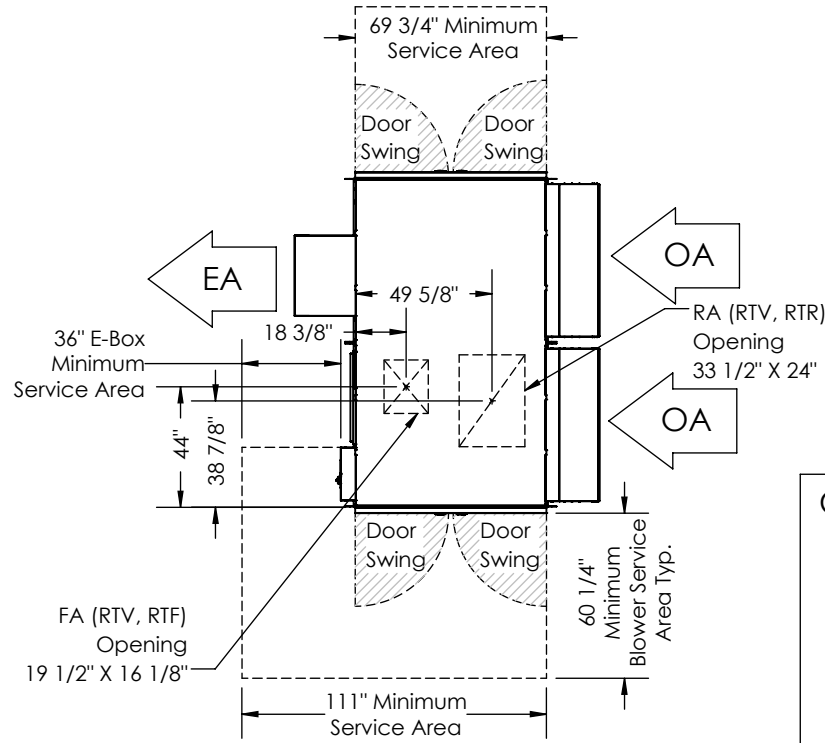


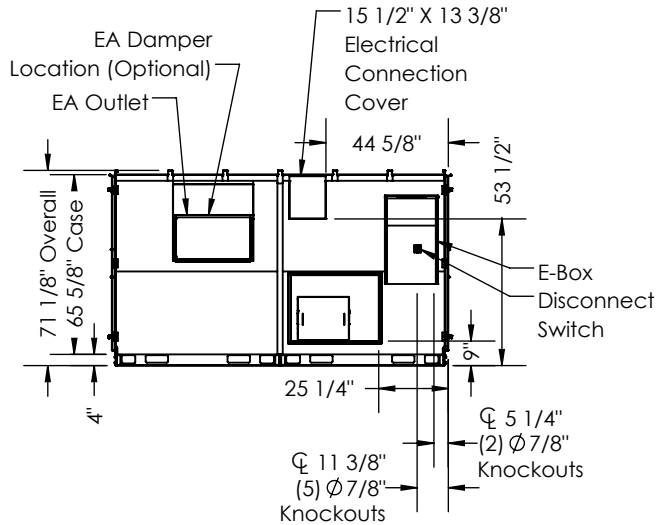
CURB LE6X



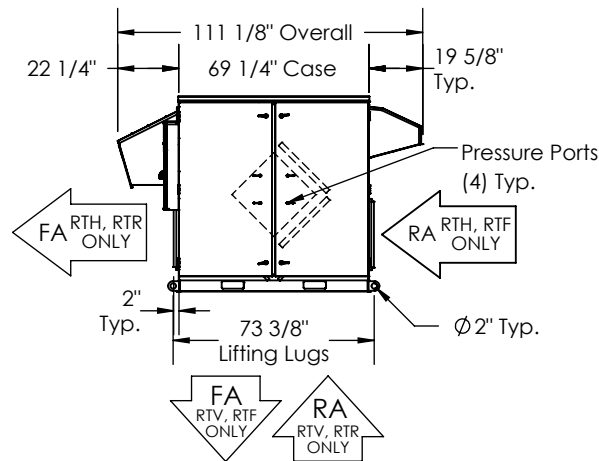
TOP VIEW



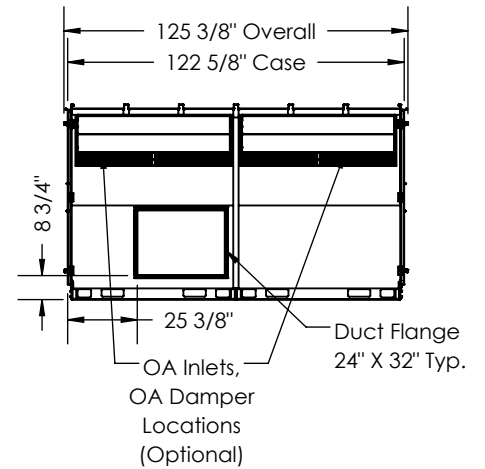
TOP VIEW



LEFT VIEW

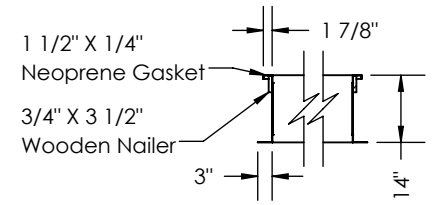


FRONT VIEW



RIGHT VIEW

CURB CROSS-SECTION A-A (TYP.)



SECTION A-A

ABBREVIATIONS

EA: Exhaust Air to outside
 OA: Outside Air intake
 RA: Room Air to be exhausted
 FA: Fresh Air to inside
 RTV: Rooftop Vertical RA & FA
 RTF: Rooftop Vertical FA Only
 RTR: Rooftop Vertical RA Only
 RTH: Rooftop Horizontal RA & FA

INSTALLATION ORIENTATION

Unit must be installed in orientation shown.

NOTE:

- UNLESS OTHERWISE SPECIFIED, DIMENSIONS ARE ROUNDED TO THE NEAREST EIGHTH OF AN INCH.
- SPECIFICATIONS MAY BE SUBJECT TO CHANGE WITHOUT NOTICE.