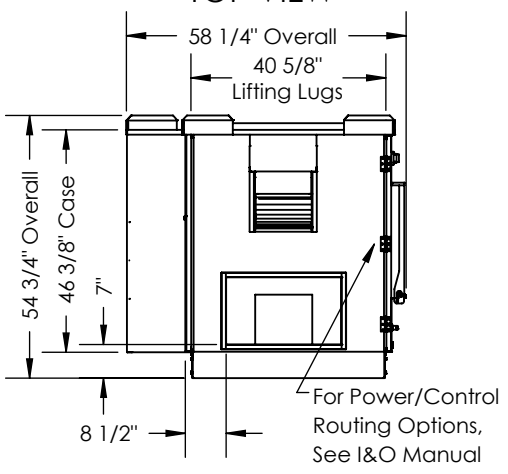
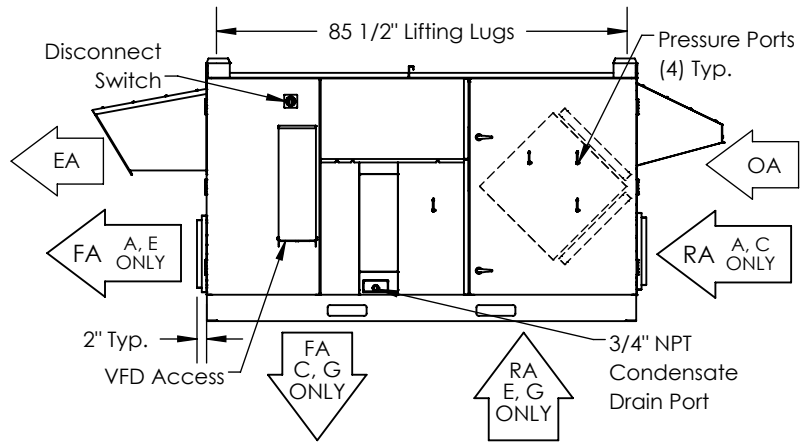


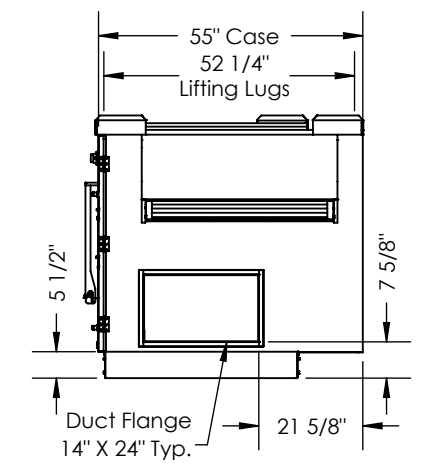
TOP VIEW



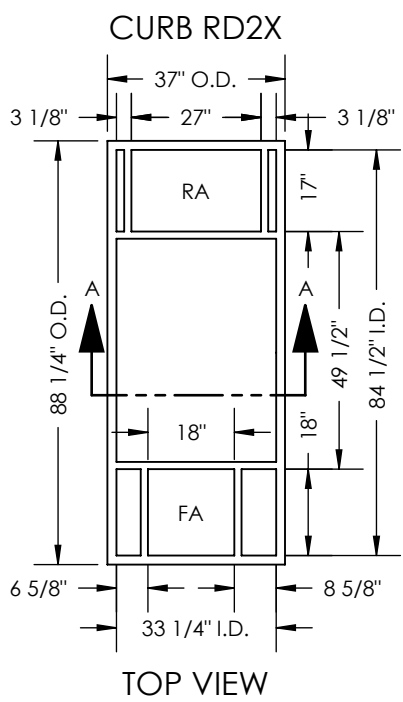
LEFT VIEW



FRONT VIEW



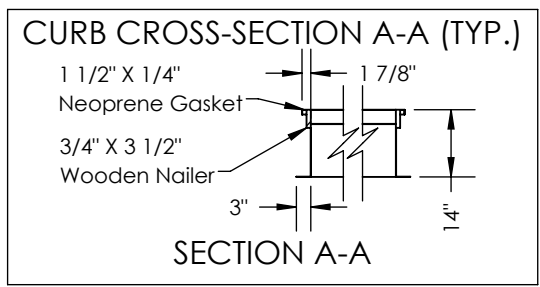
RIGHT VIEW



ABBREVIATION
EA: Exhaust Air to outside
OA: Outside Air intake
RA: Room Air to be exhausted
FA: Fresh Air to inside
A: Rooftop Horizontal RA & FA
C: Rooftop Vertical FA Only
E: Rooftop Vertical RA Only
G: Rooftop Vertical RA & FA

INSTALLATION ORIENTATION
Unit must be installed in orientation shown.

NOTE:
1. UNLESS OTHERWISE SPECIFIED, DIMENSIONS ARE ROUNDED TO THE NEAREST EIGHTH OF AN INCH.
2. SPECIFICATIONS MAY BE SUBJECT TO CHANGE WITHOUT NOTICE.



SECTION A-A