

ABBREVIATION

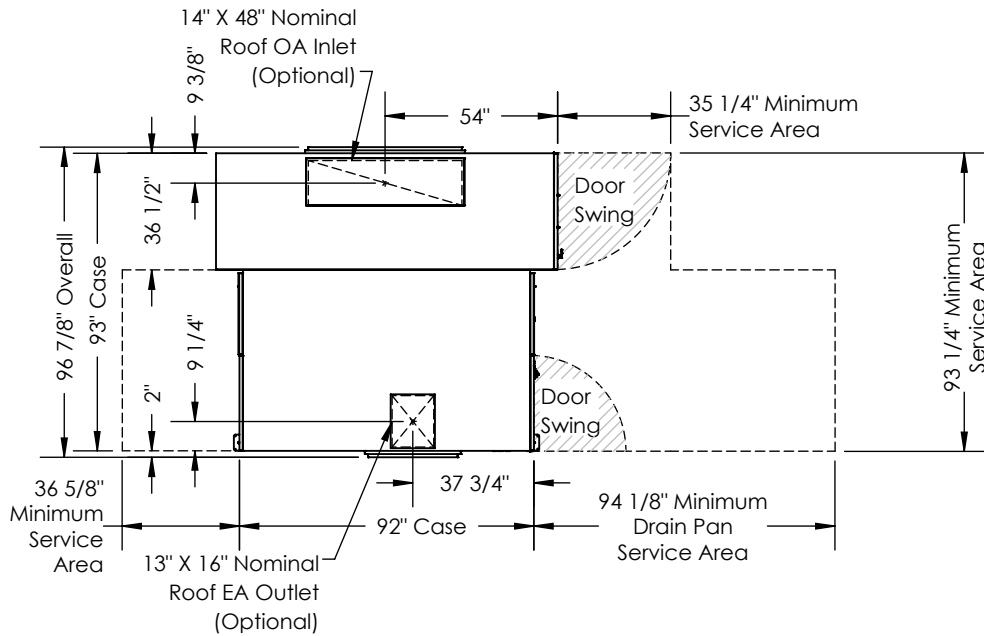
EA: Exhaust Air to outside
OA: Outside Air intake
RA: Room Air to be exhausted
FA: Fresh Air to inside

INSTALLATION ORIENTATION

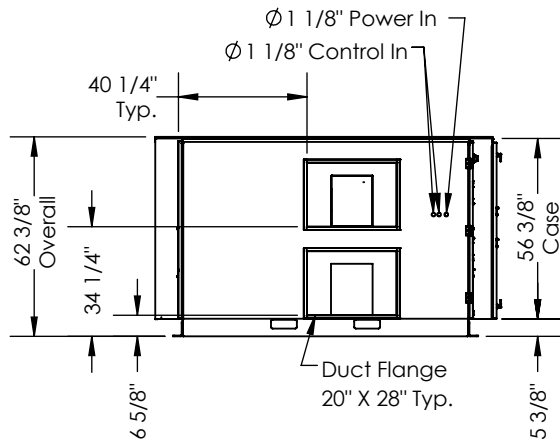
Unit must be installed in orientation shown.

NOTE:

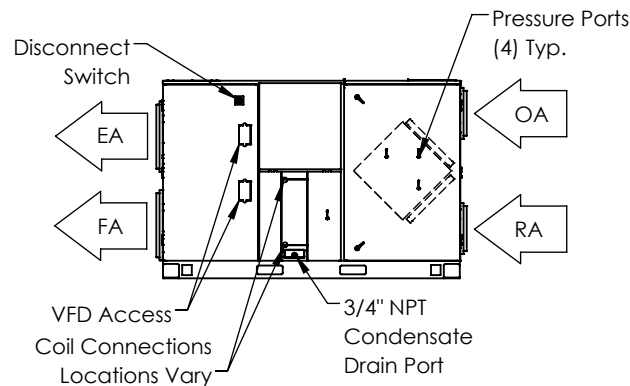
- 1. UNLESS OTHERWISE SPECIFIED, DIMENSIONS ARE ROUNDED TO THE NEAREST EIGHTH OF AN INCH.
- 2. SPECIFICATIONS MAY BE SUBJECT TO CHANGE WITHOUT NOTICE.



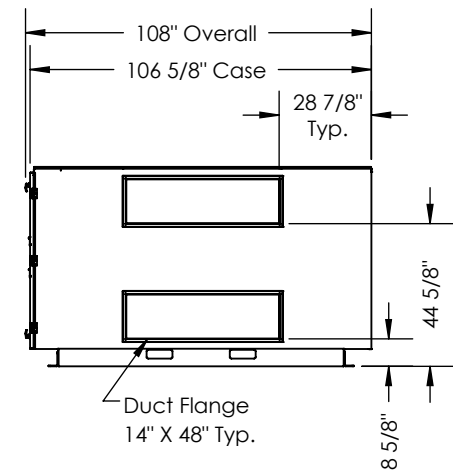
TOP VIEW



LEFT VIEW



FRONT VIEW



RIGHT VIEW