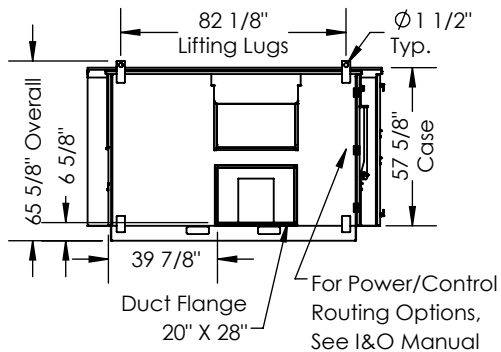
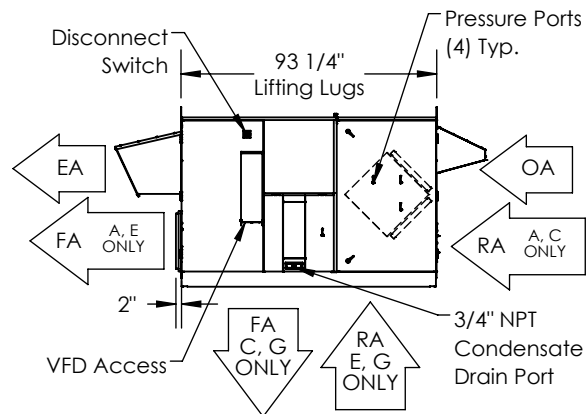


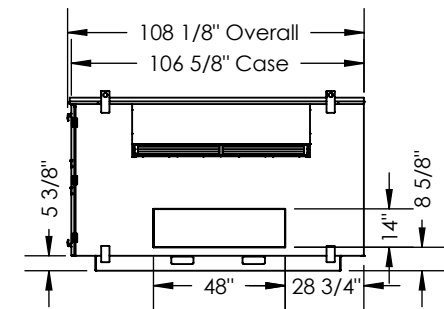
TOP VIEW



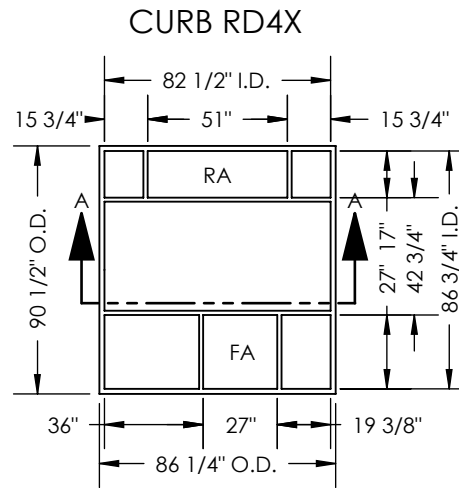
LEFT VIEW



FRONT VIEW

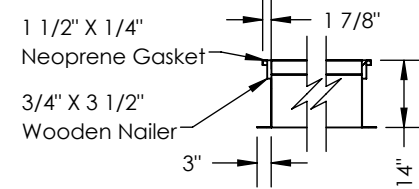


RIGHT VIEW



TOP VIEW

CURB CROSS-SECTION A-A (TYP.)



SECTION A-A

ABBREVIATION
 EA: Exhaust Air to outside
 OA: Outside Air intake
 RA: Room Air to be exhausted
 FA: Fresh Air to inside
 A: Rooftop Horizontal RA & FA
 C: Rooftop Vertical FA Only
 E: Rooftop Vertical RA Only
 G: Rooftop Vertical RA & FA

INSTALLATION ORIENTATION
 Unit must be installed in orientation shown.

NOTE:
 1. UNLESS OTHERWISE SPECIFIED, DIMENSIONS ARE ROUNDED TO THE NEAREST EIGHTH OF AN INCH.
 2. SPECIFICATIONS MAY BE SUBJECT TO CHANGE WITHOUT NOTICE.