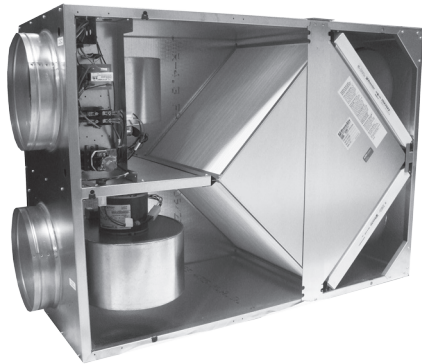




Energy Recovery Ventilator EC Motor Option



INDOOR UNIT



Download specification at:
renewaire.com/specifications

SPECIFICATIONS

Ventilation Type:

Static plate, heat and humidity transfer

Typical Airflow Range: 250-1,100 CFM

AHRI 1060 Certified Core: One L125-G5

Standard Features:

Non-fused disconnect
24 VAC transformer/relay package

Filters:

Total qty. 2, MERV 8: 20" x 20" x 2"

Unit Dimensions & Weight:

54 3/4" L x 23 3/4" W x 35 3/4" H
207-278 lbs., varies by option(s)

Max. Shipping Dimensions & Weight (on pallet):

63" L x 30" W x 56" H
325 lbs.

Accessories box shipped loose on top of unit.

Motor(s):

Qty. 2, 0.5 HP ea., Direct drive EC blower/
motor packages

Options:

Integrated programmable controls
Fused disconnect
Double wall construction
Motorized isolation dampers - FA, EA or both airstreams
Qty. 2, Factory mounted filter alarms
Exterior paint - white, custom colors
Bypass economizer (see bypass DIM drawing) - dry-bulb temperature controls (standard), enthalpy controls (option)

Accessories:

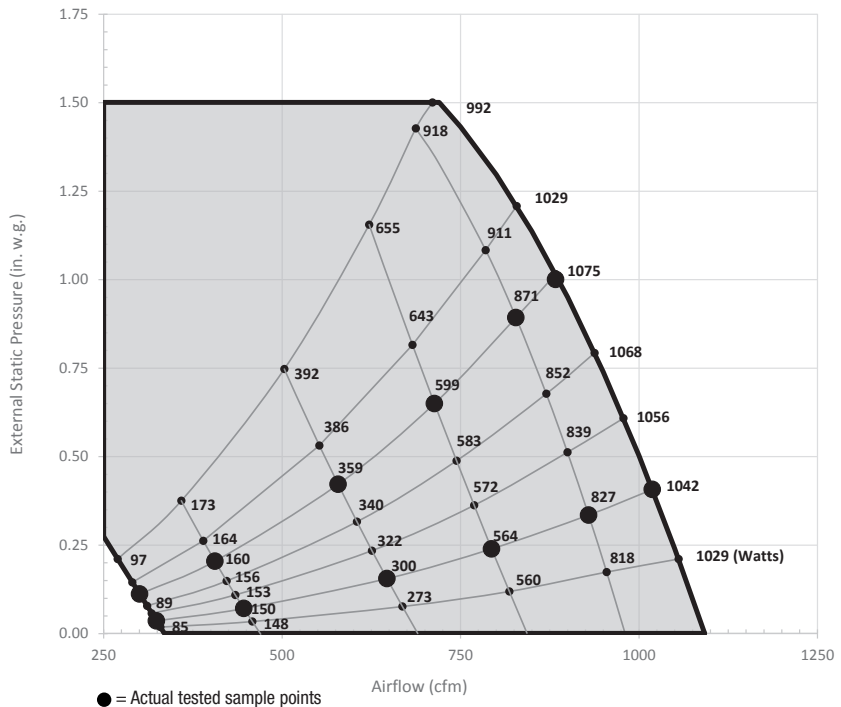
Filters - MERV 13, 2" (shipped loose)
Backdraft damper 12"
Motorized isolation damper - both airstreams
Wall cap 12" - galvanized, paintable galvanneal
Potentiometer speed control - remote installed
Digital time clock - wall mount (TC7D-W), in exterior enclosure (TC7D-E)
Motion occupancy control - ceiling mount (MC-C), wall mount (MC-W)
Carbon dioxide control - wall mount (CO2-W), duct mount (CO2-D)
Electric duct heater - EK series (1-60 kW)
Indirect gas-fired duct furnace - GH series (50-400 MBH), installed downstream of any fans

EC MOTOR OPTION OPERATING RANGE

HE1XINH EC MOTOR		
Sample Points Depicted in Larger Dots		
Airflow (CFM)	External Static Pressure (Inches Water Column)	Unit Power Consumption (Watts)
324	0.04	86
446	0.07	150
647	0.15	300
794	0.24	564
929	0.33	827
1019	0.41	1042
300	0.11	91
406	0.20	160
579	0.42	359
713	0.65	599
828	0.89	871
883	1.00	1075

Note: Watts is for the entire unit.

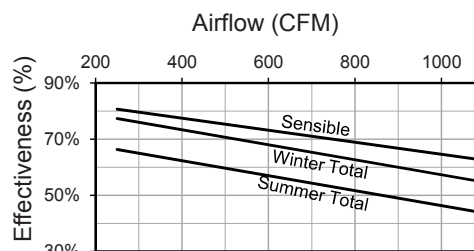
Note: Airflow performance includes effect of clean, standard filter supplied with unit.



ELECTRICAL DATA

HP	Volts	HZ	Phase	FLA per motor	Min. Cir. Amps	Max. Overcurrent Protection Device
0.5	120	60	Single	8.1	18.2	25
0.5	208-230	60	Single	4.8	10.8	15

CORE PERFORMANCE

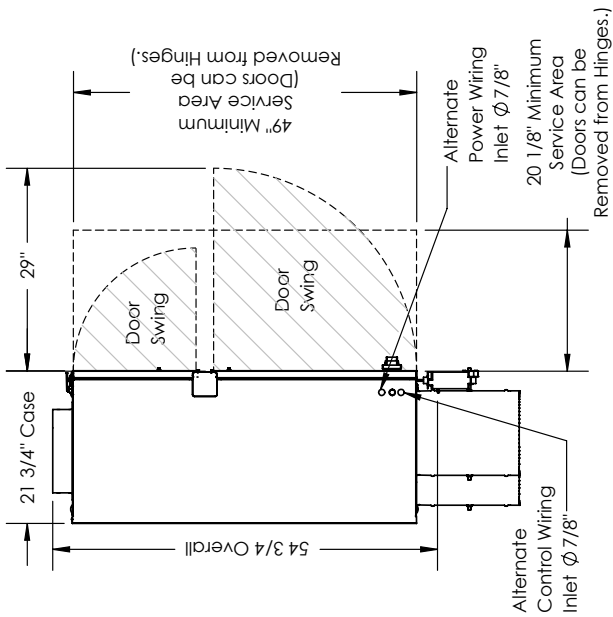


At AHRI 1060 standard conditions. See all AHRI certified ratings at www.ahrinet.org.

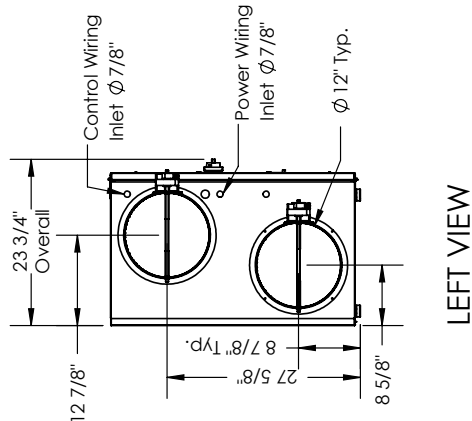
Specifications may be subject to change without notice.



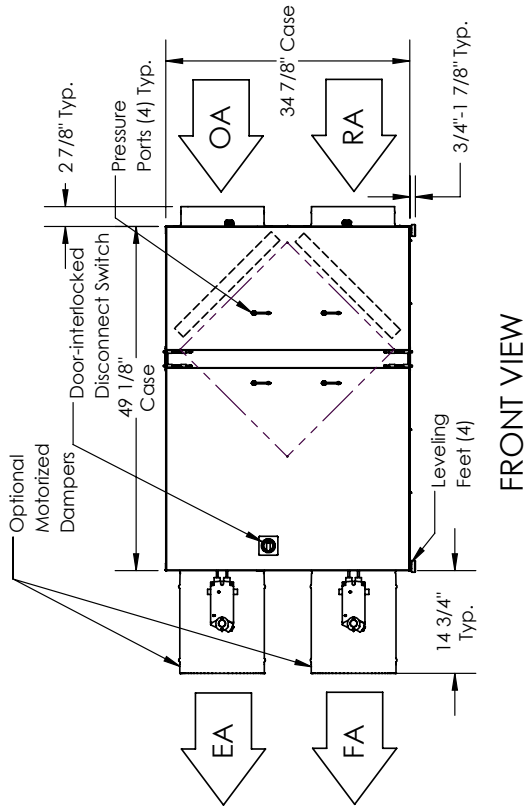
HE1XINH Energy Recovery Ventilator Standard or EC Motor Option



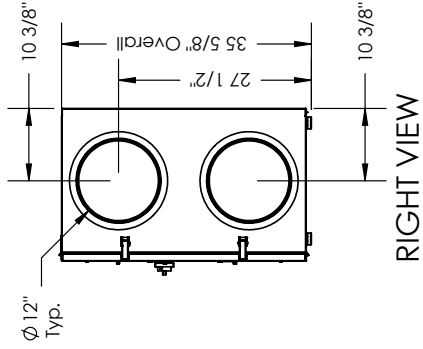
TOP VIEW



LEFT VIEW



FRONT VIEW



RIGHT VIEW

ABBREVIATIONS
 EA: Exhaust Air to Outside
 OA: Outside Air Intake
 RA: Room Air to be Exhausted
 FA: Fresh Air to Inside

INSTALLATION ORIENTATION
 Unit may be installed in any orientation.

NOTE
 1. UNLESS OTHERWISE SPECIFIED, DIMENSIONS ARE ROUNDED TO THE NEAREST EIGHTH OF AN INCH.
 2. SPECIFICATIONS MAY BE SUBJECT TO CHANGE WITHOUT NOTICE.

AIRFLOW CONFIGURATION
 Available as shown in dimension drawing.

UNIT MOUNTING & APPLICATION
 Can be mounted in any orientation. RA/EA airstream can be switched with OA/FA airstream unless certain options are selected.

