

HE1XINV

Energy Recovery Ventilator Standard & Bypass Economizer Option



INDOOR UNIT



Download specification at:
renewaire.com/specifications

SPECIFICATIONS

Ventilation Type:

Static plate, heat and humidity transfer

Typical Airflow Range: 250-925 CFM

AHRI 1060 Certified Core: One L125-G5

Standard Features:

Non-fused disconnect
24 VAC transformer/relay package

Filters:

Total qty. 2, MERV 8: 20" x 20" x 2"

Unit Dimensions & Weight:

40 1/2" L x 23 3/4" W x 50 3/4" H
201-272 lbs., varies by option(s)

Max. Shipping Dimensions & Weight (on pallet):

30" L x 42" W x 71" H
325 lbs.

Accessories box shipped loose on top of unit.

Motor(s):

Qty. 2, 0.75 HP ea., Direct drive blower/standard motor packages

Options:

Qty. 2, EC Motor (see HE1XINV EC Motor submittal) -
0.5 HP 120V/1Ph/60HZ,
0.5 HP 208-230V/1Ph/60HZ
Integrated programmable controls
Fused disconnect
Double wall construction
Motorized isolation dampers - FA, EA or both airstreams
Qty. 2, Factory mounted filter alarms
Independent blower control
Exterior paint - white, custom colors
Bypass economizer (see bypass DIM drawing) -
dry-bulb temperature controls (standard),
enthalpy controls (option)

Accessories:

Filters - MERV 13, 2" (shipped loose)
Backdraft damper 12"
Motorized isolation damper - both airstreams
Wall cap 12" - galvanized, paintable galvanneal
Solid state speed control kit - 115V, Qty. 1,
208-230V, Qty. 1
Digital time clock - wall mount (TC7D-W),
in exterior enclosure (TC7D-E)
Motion occupancy control - ceiling mount (MC-C),
wall mount (MC-W)
Carbon dioxide control - wall mount (CO2-W),
duct mount (CO2-D)
Electric duct heater - EK series (1-60 kW)
Indirect gas-fired duct furnace - GH series
(50-400 MBH), installed downstream of any fans

AIRFLOW PERFORMANCE

Motor HP Phase	External Static Pressure (Inches Water Column)						
	0.0	0.25	0.5	0.75	0.9	1.25	1.5
0.75 Single Phase	970 CFM 1,490 Watts	925 CFM 1,375 Watts	860 CFM 1,270 Watts	795 CFM 1,160 Watts	750 CFM 1,090 Watts	635 CFM 950 Watts	480 CFM 825 Watts
0.75 Three Phase	970 CFM 1,246 Watts	925 CFM 1,158 Watts	860 CFM 1,039 Watts	795 CFM 928 Watts	750 CFM 856 Watts	635 CFM 691 Watts	480 CFM 509 Watts

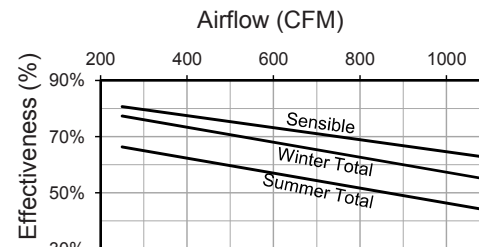
Note: Watts is for the entire unit (2 motors).

Note: Airflow performance includes effect of clean, standard filter supplied with unit.

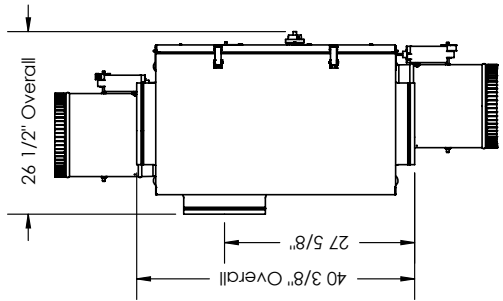
ELECTRICAL DATA

HP	Volts	HZ	Phase	FLA per motor	Min. Cir. Amps	Max. Overcurrent Protection Device
0.75	120	60	Single	9.0	20.3	25
0.75	208-230	60	Single	4.5	10.1	15
0.75	277	60	Single	3.9	8.8	15
0.75	208-230	60	Three	1.7-2.3	5.2	15
0.75	460	60	Three	1.15	2.6	15

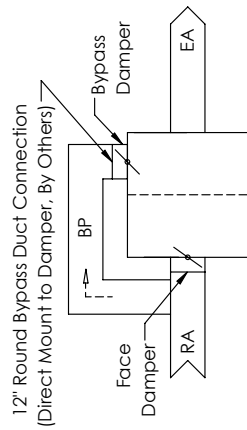
CORE PERFORMANCE



At AHRI 1060 standard conditions. See all AHRI certified ratings at www.ahrinet.org.



TOP VIEW



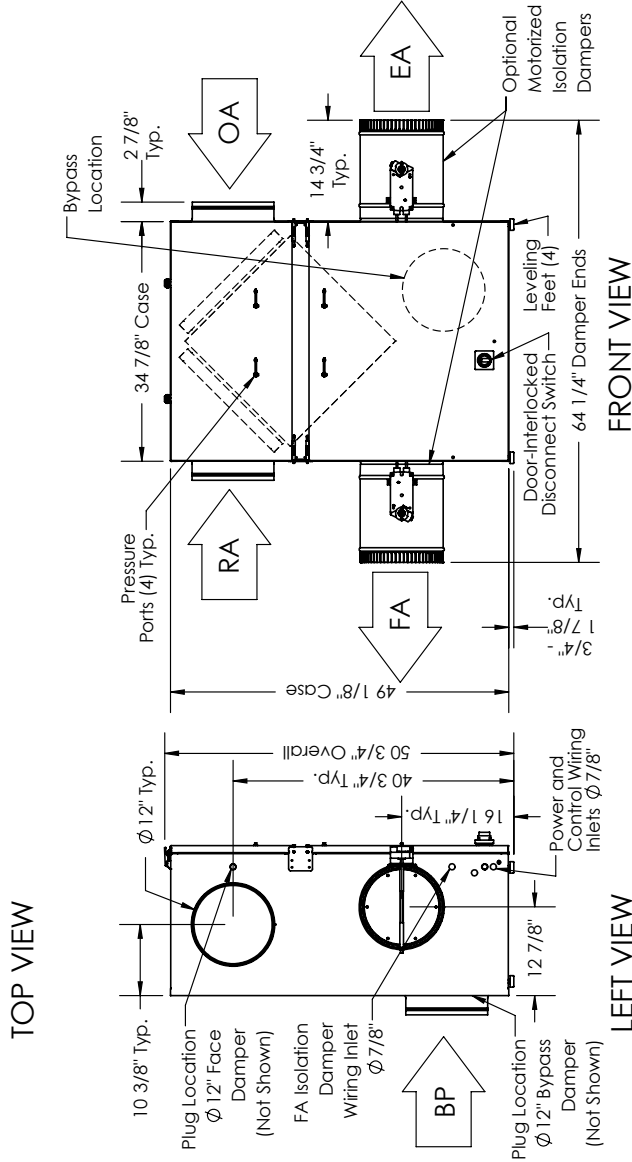
**BYPASS AIRFLOW SCHEMATIC
TOP VIEW
(OA/FA Airstream Not Shown)**

ABBREVIATIONS
 EA: Exhaust Air to Outside
 OA: Outside Air Intake
 RA: Room Air to be Exhausted
 FA: Fresh Air to Inside
 BP: Bypass Air Intake

INSTALLATION ORIENTATION
 Unit may be installed in any orientation.

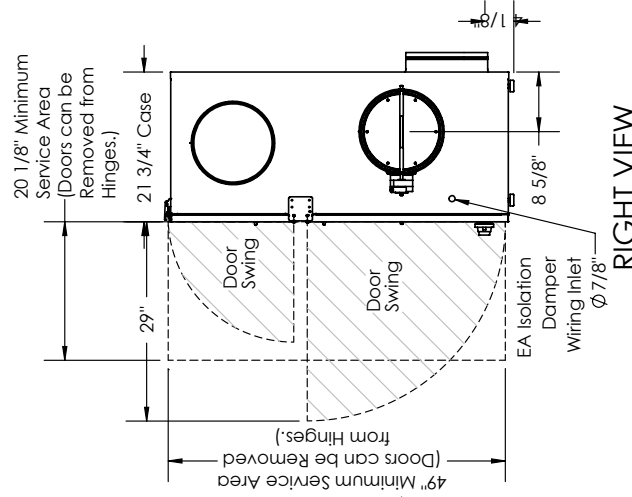
NOTE

1. UNLESS OTHERWISE SPECIFIED, DIMENSIONS ARE ROUNDED TO THE NEAREST EIGHTH OF AN INCH.
2. SPECIFICATIONS MAY BE SUBJECT TO CHANGE WITHOUT NOTICE.
3. UNITS WITH BYPASS WILL REQUIRE ADDITIONAL SPACE FOR THE CONNECTION OF THE BYPASS DUCT (BY OTHERS).
4. FOR INSTALLATION DETAILS, REFER TO I&O MANUAL SUPPLEMENT FOR BYPASS.



FRONT VIEW

LEFT VIEW



RIGHT VIEW

AIRFLOW CONFIGURATION
 Available as shown in dimension drawing.

UNIT MOUNTING & APPLICATION
 Can be mounted in any orientation. Airstreams can not be switched.