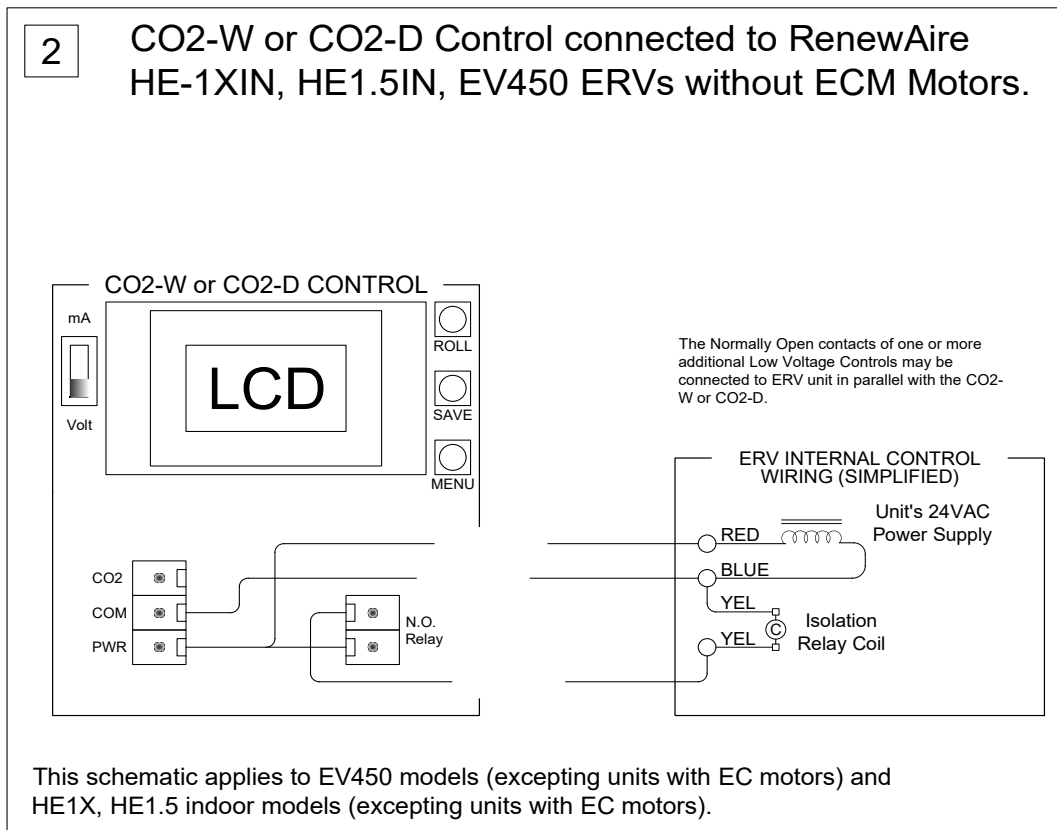
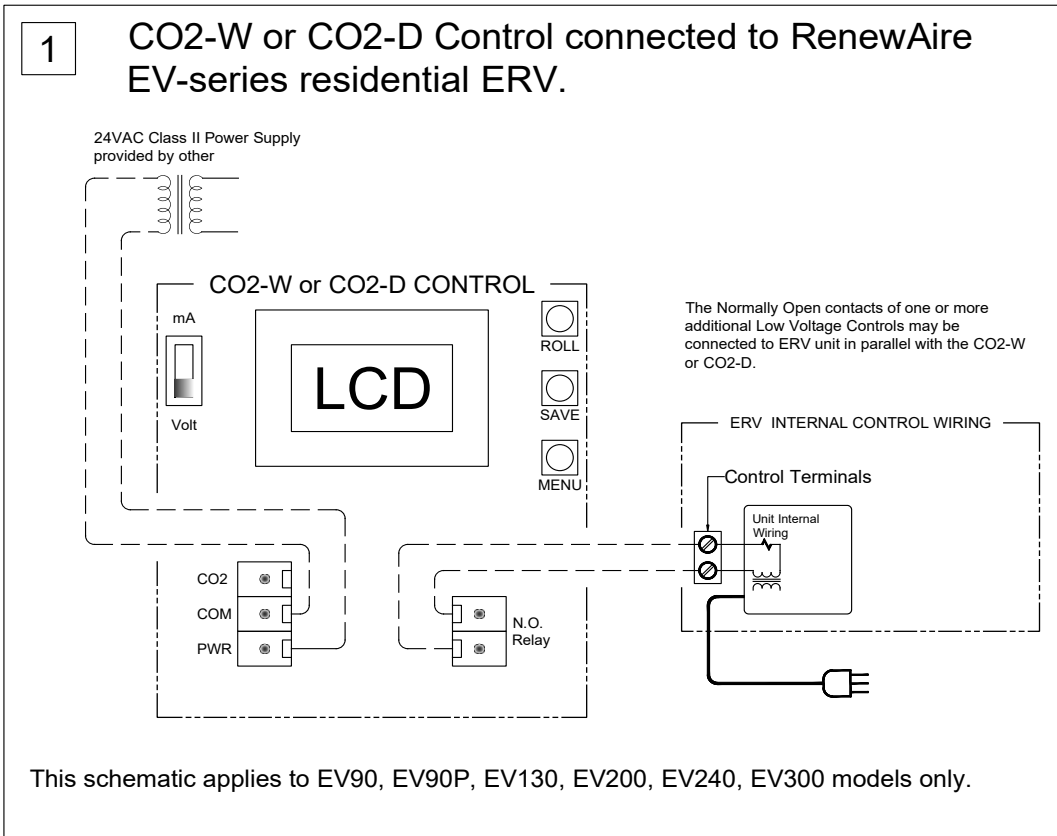
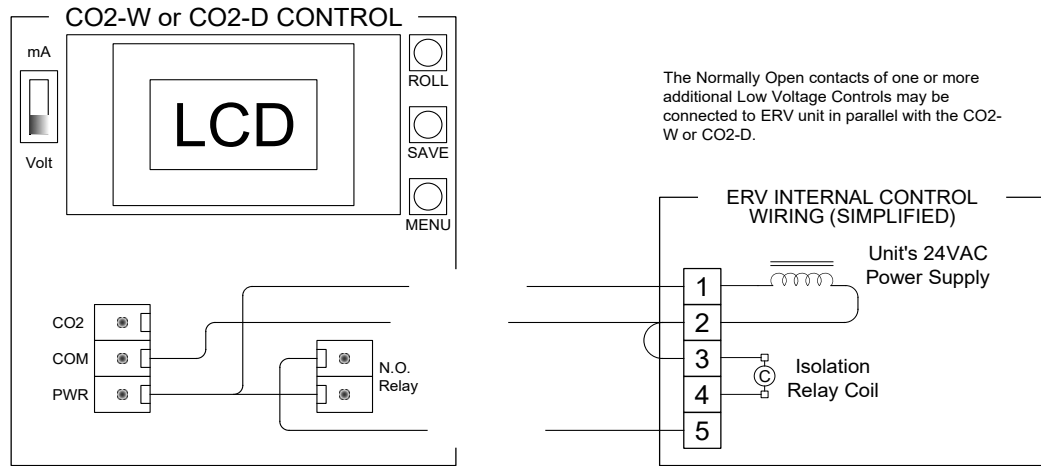


Connection Schematics



3

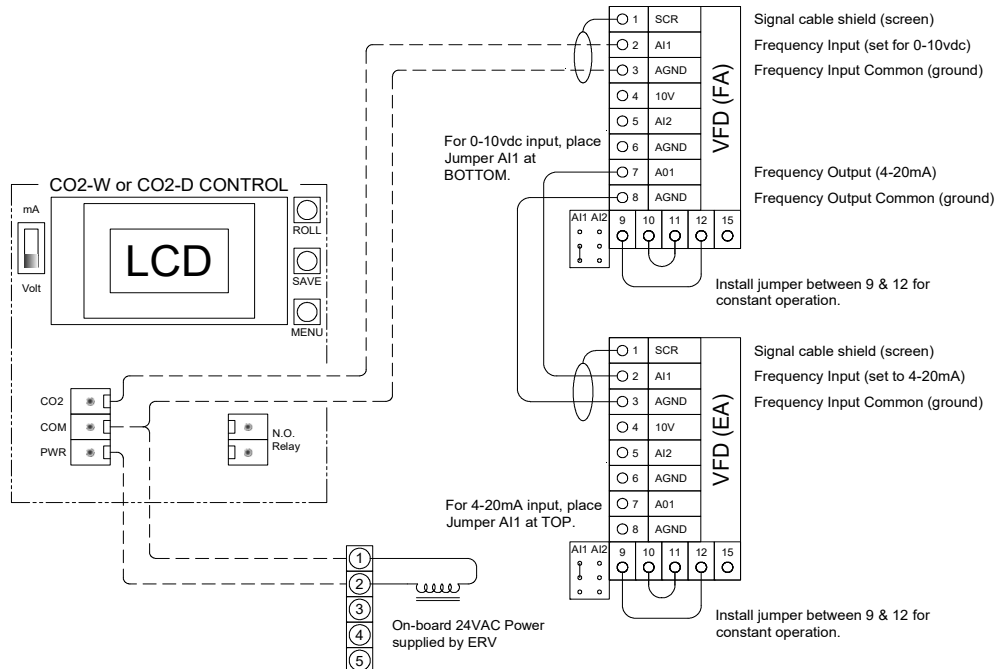
CO2-W or CO2-D Control connected to RenewAire HE- and LE-series commercial ERV with terminal strip connections for controls.

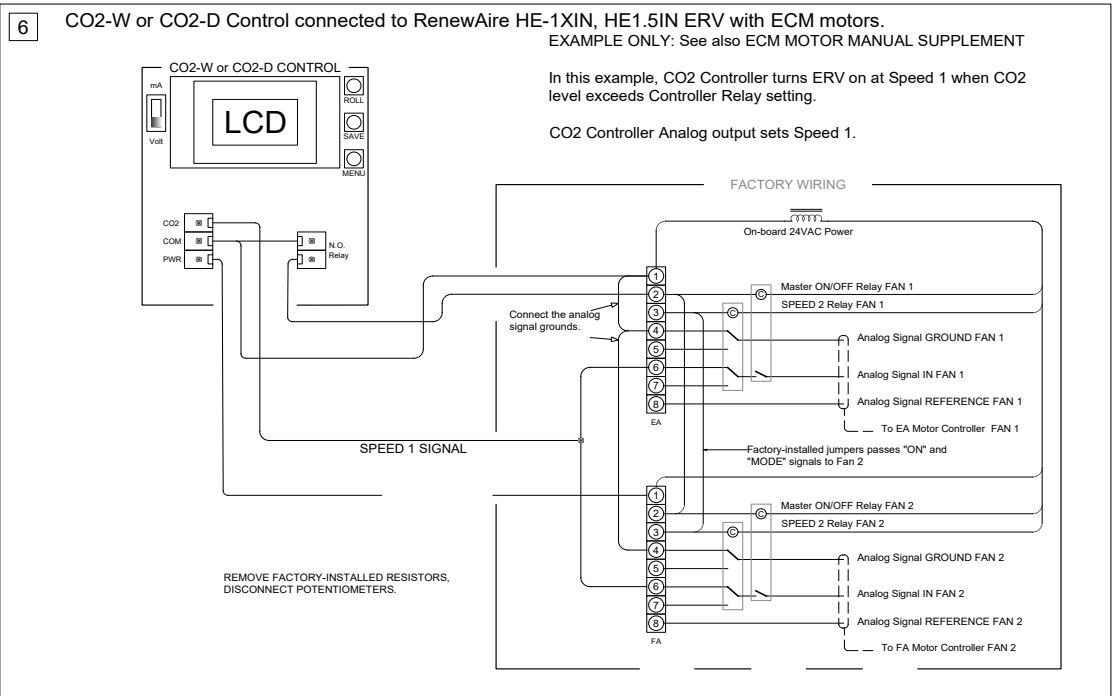
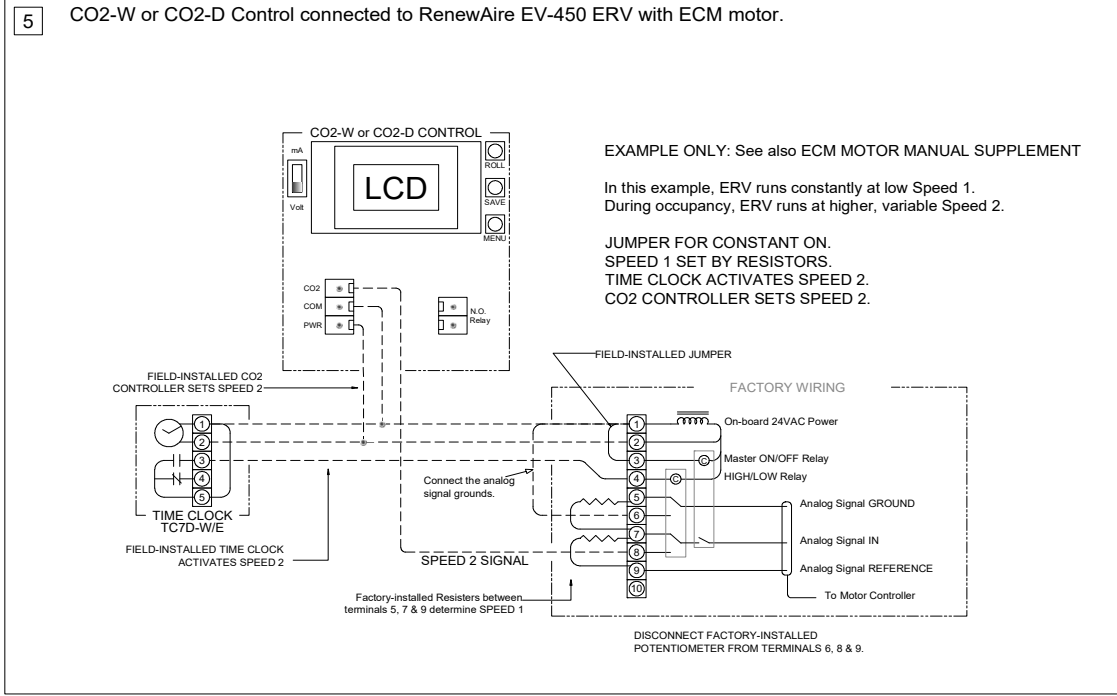


This schematic applies to HE1XRT, HE1.5RT (outdoor) models, LE models, and all HE2X and larger models without VFDs or ECM motors.

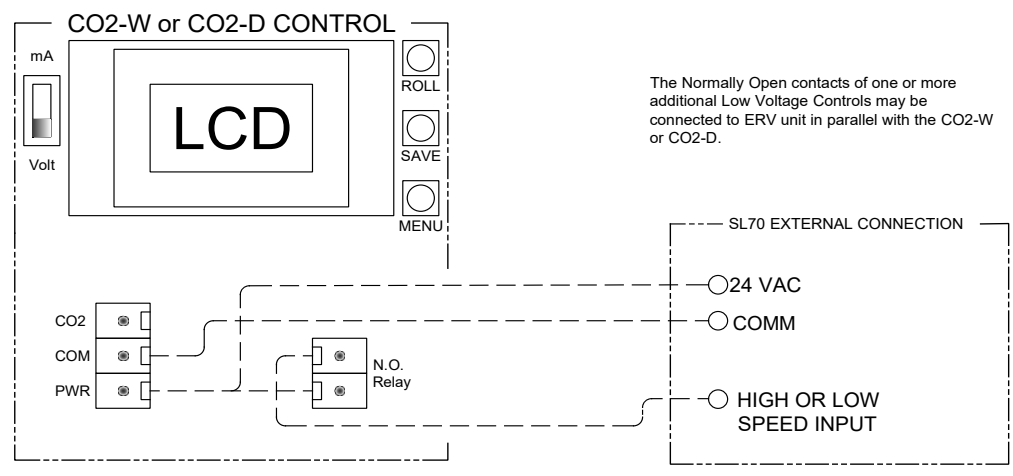
4

CO2-W or CO2-D Control connected to RenewAire HE- and LE-series commercial ERV with factory-installed Variable Frequency Drives.





7 CO2-W or CO2-D Control connected to RenewAire SL series.



The Normally Open contacts of one or more additional Low Voltage Controls may be connected to ERV unit in parallel with the CO2-W or CO2-D.

This schematic applies to SL70 models.