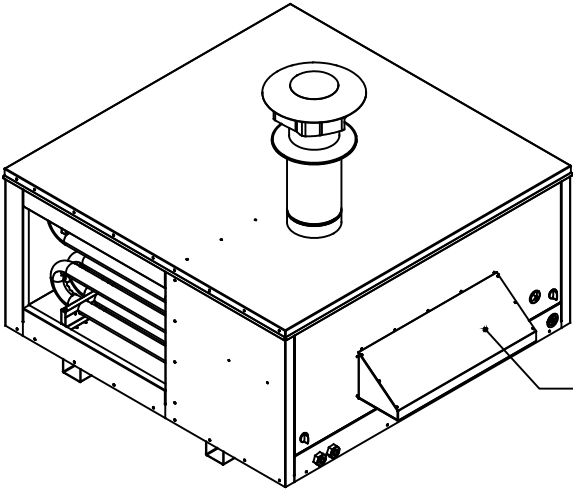
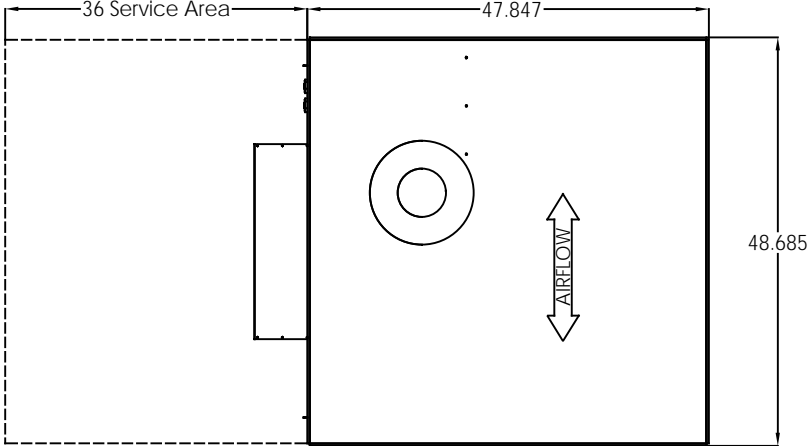


**NOTE**  
 1. UNIT MUST BE INSTALLED IN ORIENTATION SHOWN.  
 2. SPECIFICATIONS MAY BE SUBJECT TO CHANGE WITHOUT NOTICE.

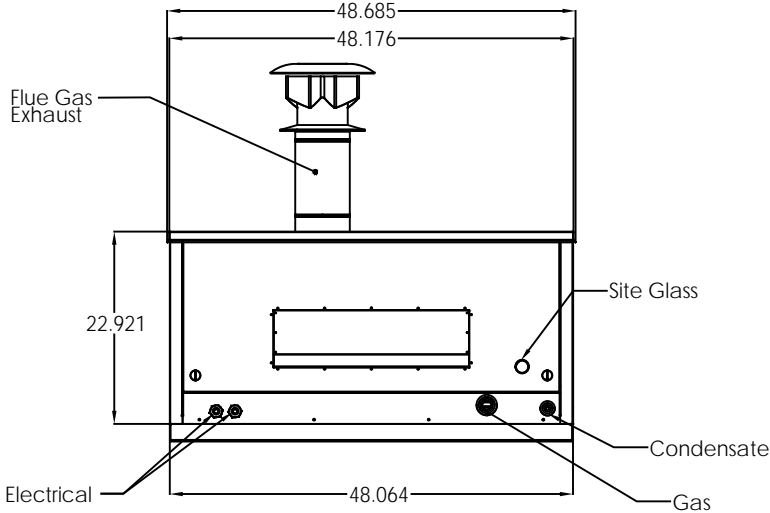


Combustion Inlet

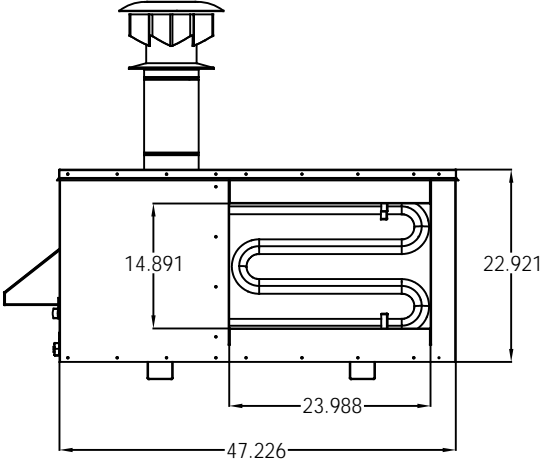
ISOMETRIC VIEW



TOP VIEW



FRONT VIEW



RIGHT VIEW