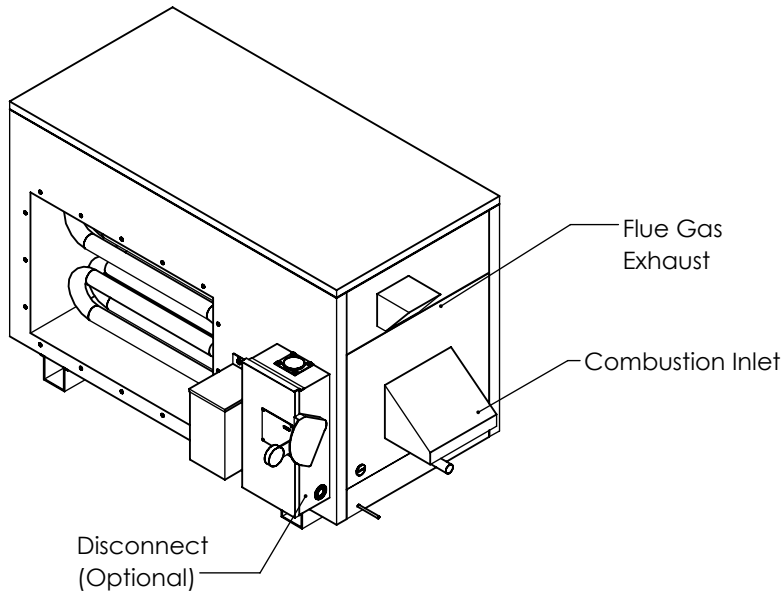
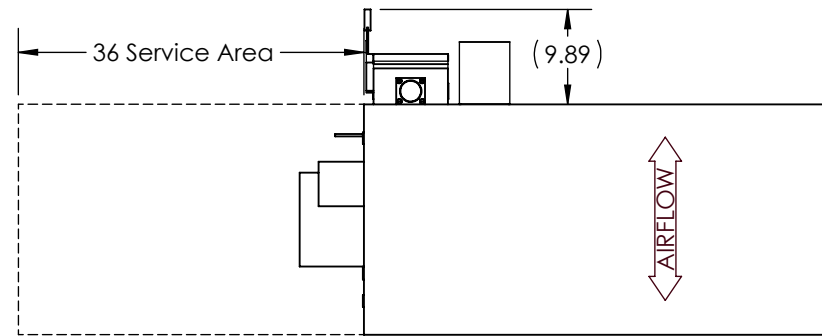


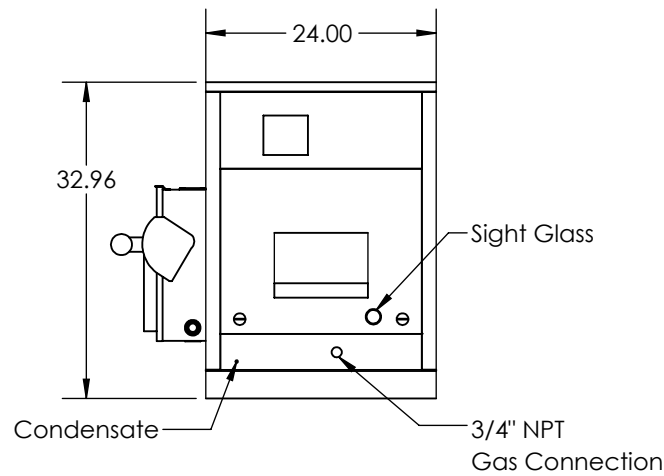
- NOTE**
1. UNIT MUST BE INSTALLED IN ORIENTATION SHOWN.
 2. SPECIFICATIONS MAY BE SUBJECT TO CHANGE WITHOUT NOTICE.



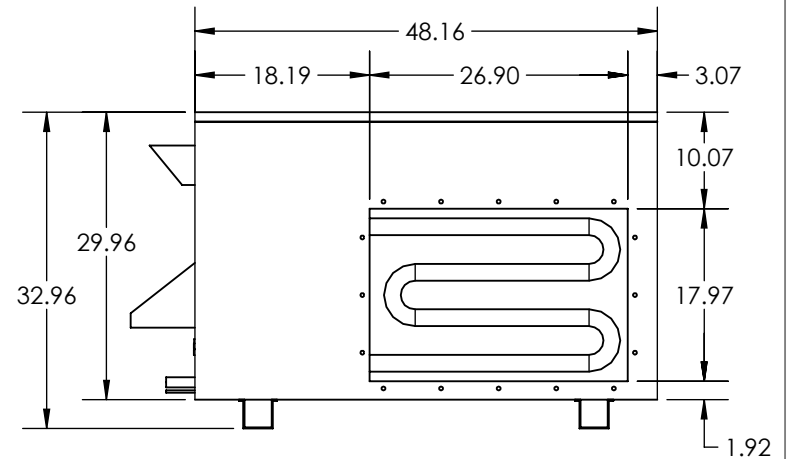
ISOMETRIC VIEW



TOP VIEW



FRONT VIEW



RIGHT VIEW