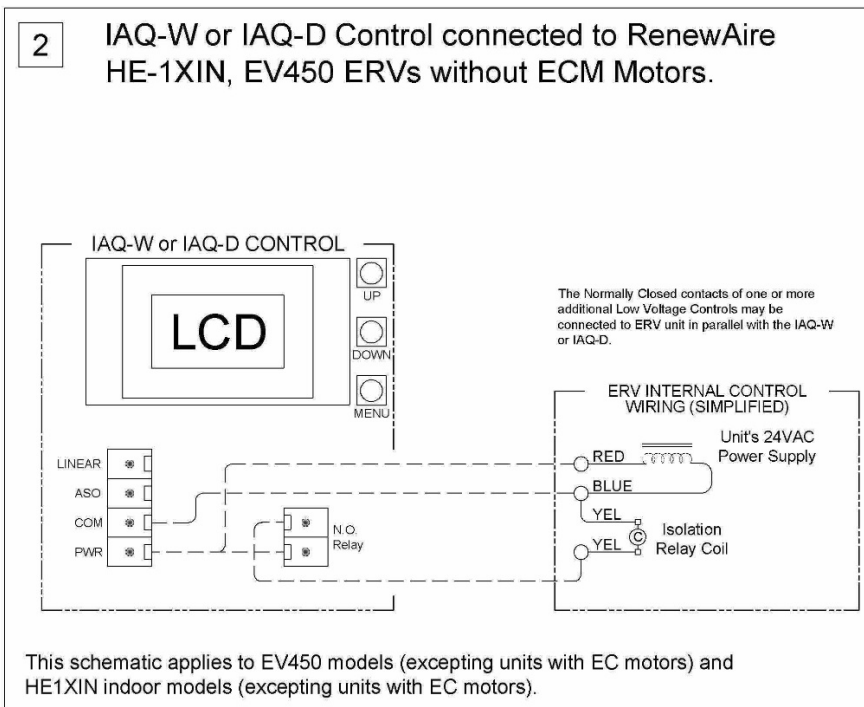
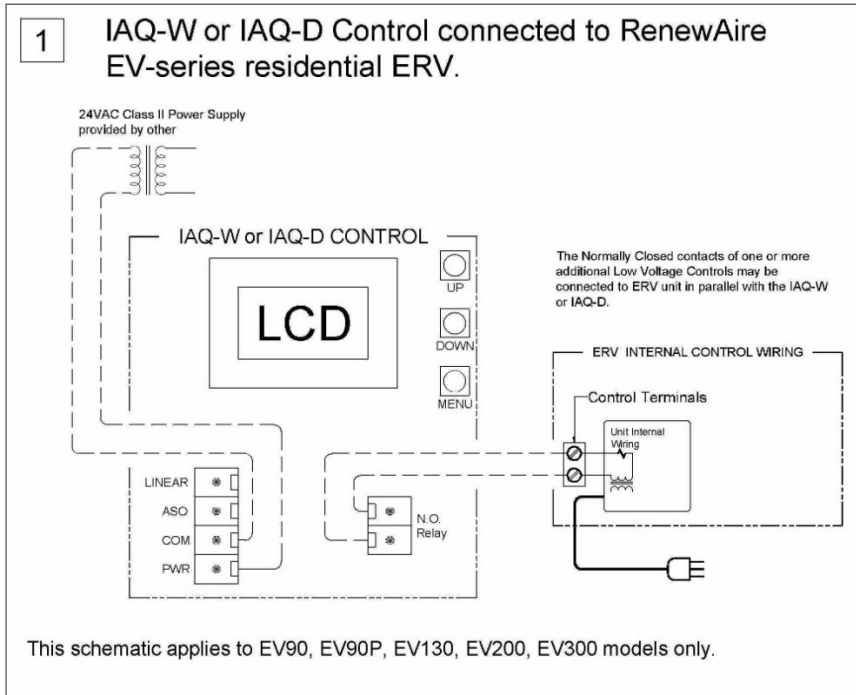
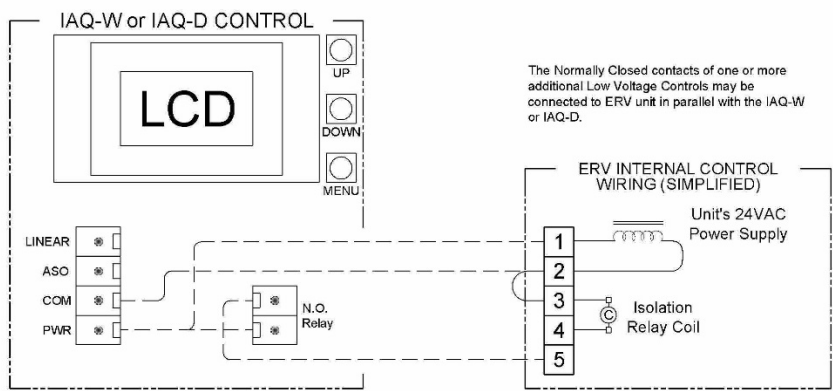


Connection Schematics



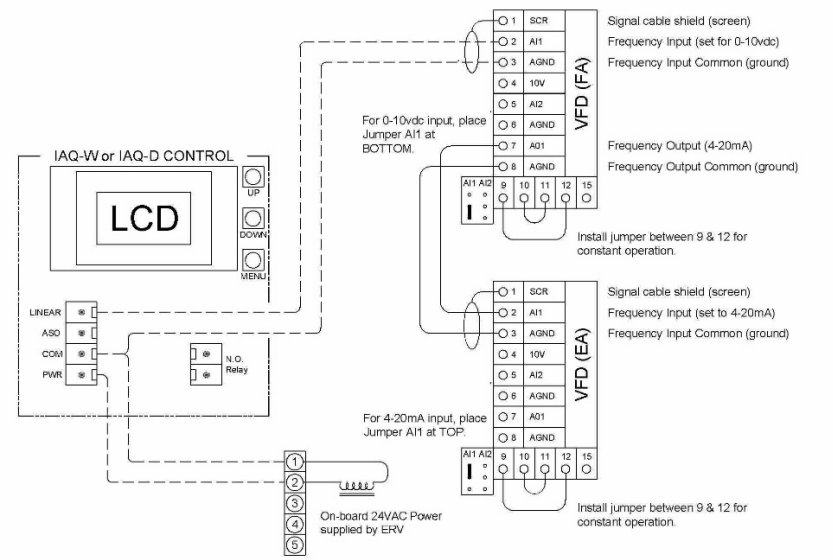
Due to continuing product development, specifications are subject to change without notice.

3 IAQ-W or IAQ-D Control connected to RenewAire HE- and LE-series commercial ERV with terminal strip connections for controls.



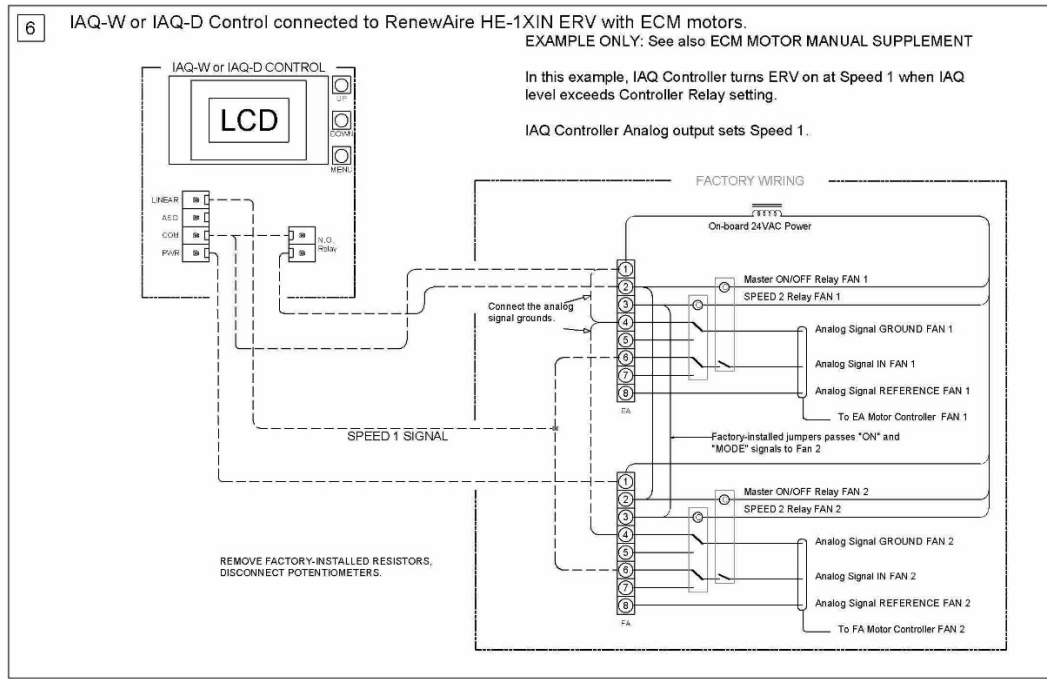
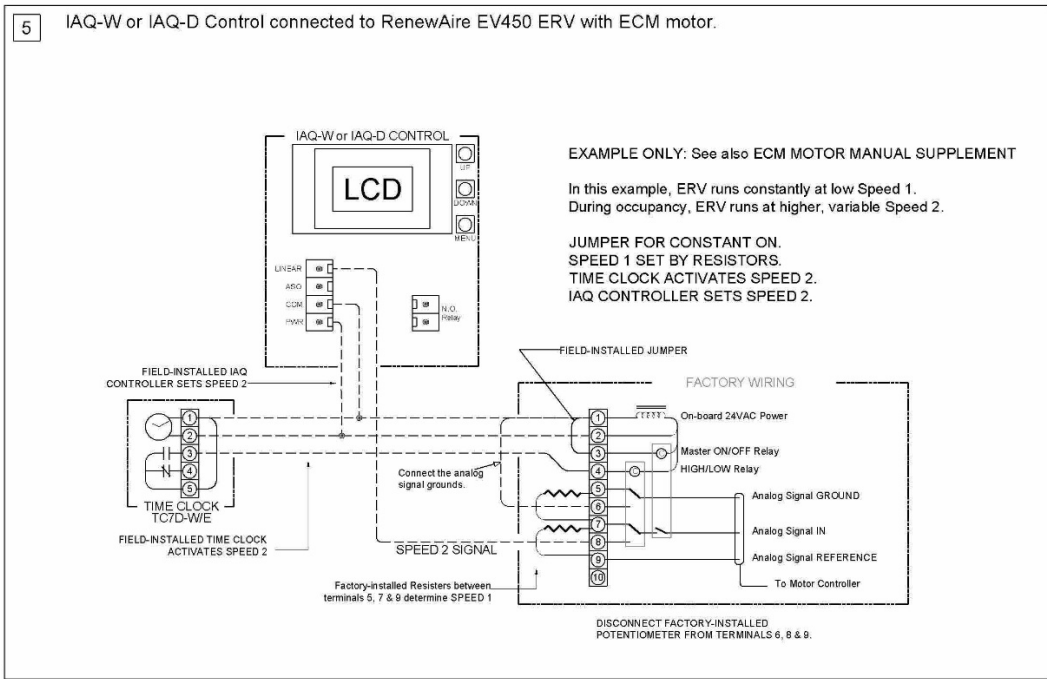
This schematic applies to HE1XRT (outdoor) models, LE models, and all HE2X and larger models without VFDs or ECM motors.

4 IAQ-W or IAQ-D Control connected to RenewAire HE- and LE-series commercial ERV with factory-installed Variable Frequency Drives.



Note: ASO (Analog Stepped Output) can be used in place of LINEAR 0-10Vdc output signal. See IAQ Control installation instructions to set ASO levels.

Due to continuing product development, specifications are subject to change without notice.



Note: ASO (Analog Stepped Output) can be used in place of LINEAR 0-10Vdc output signal. See IAQ Control installation instructions to set ASO levels.

Due to continuing product development, specifications are subject to change without notice.