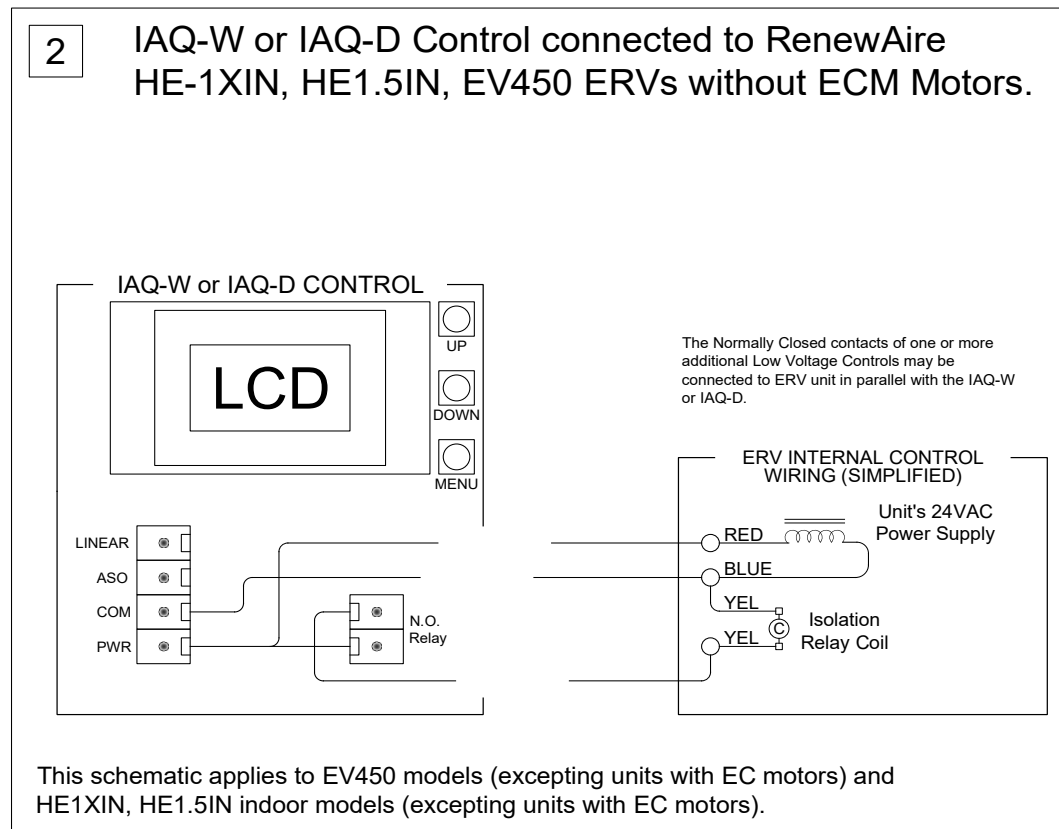
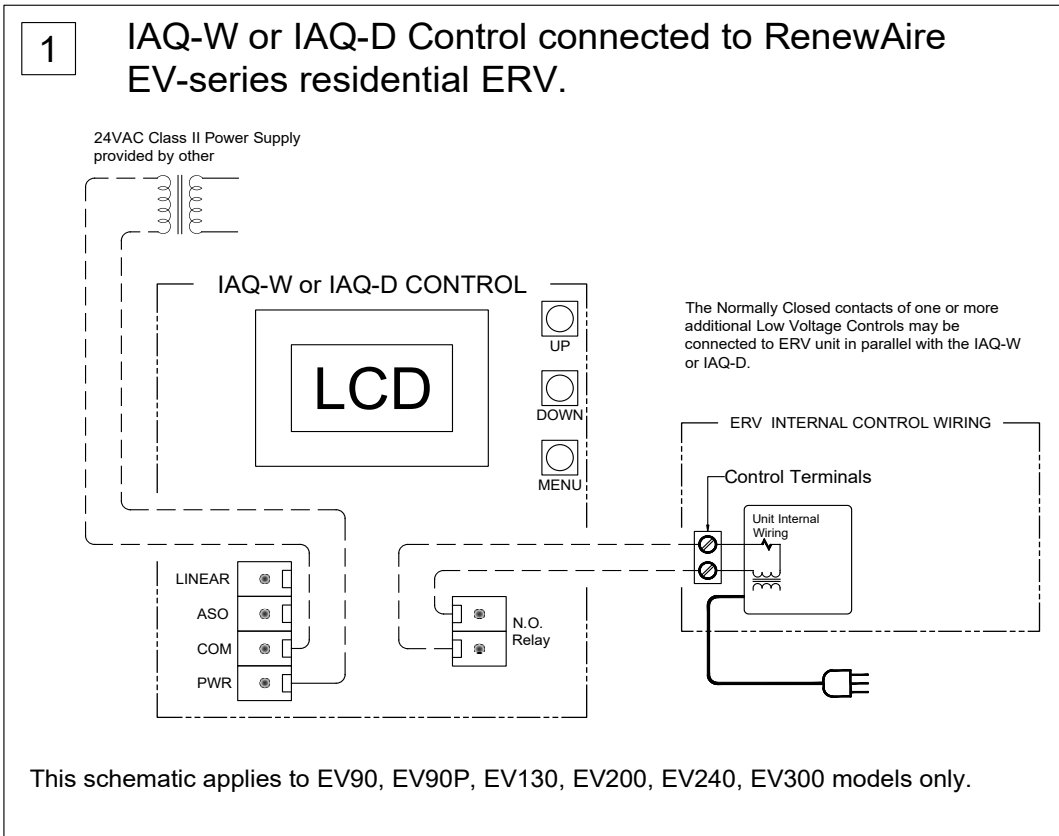
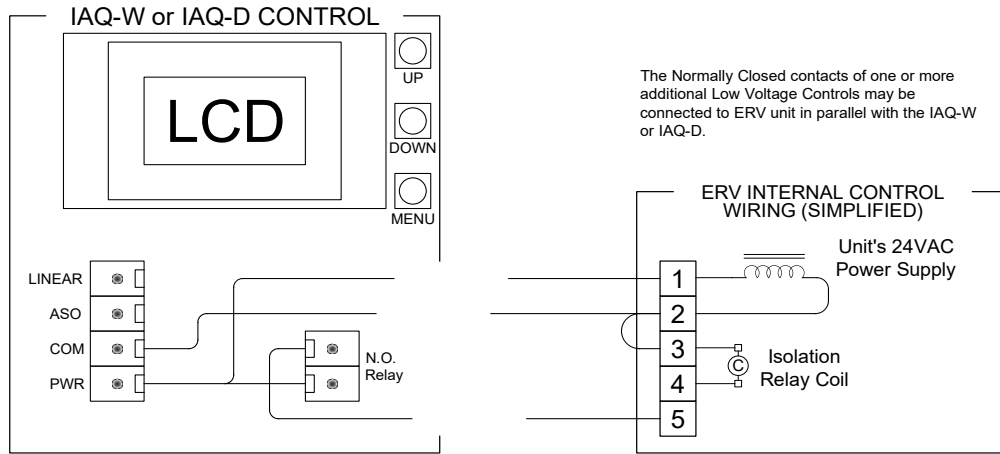


Connection Schematics

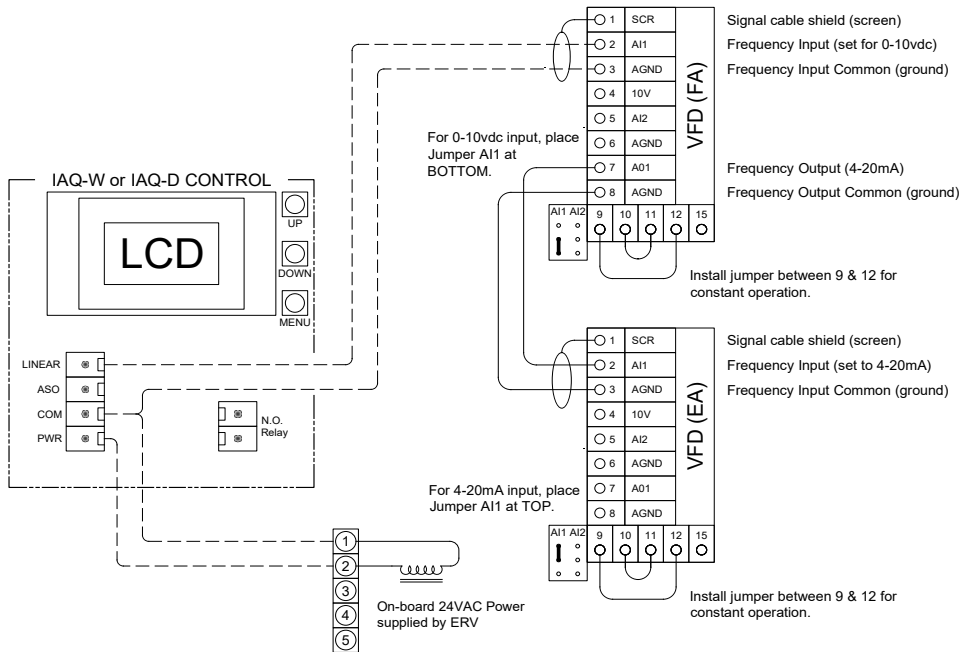


3 IAQ-W or IAQ-D Control connected to RenewAir HE- and LE-series commercial ERV with terminal strip connections for controls.

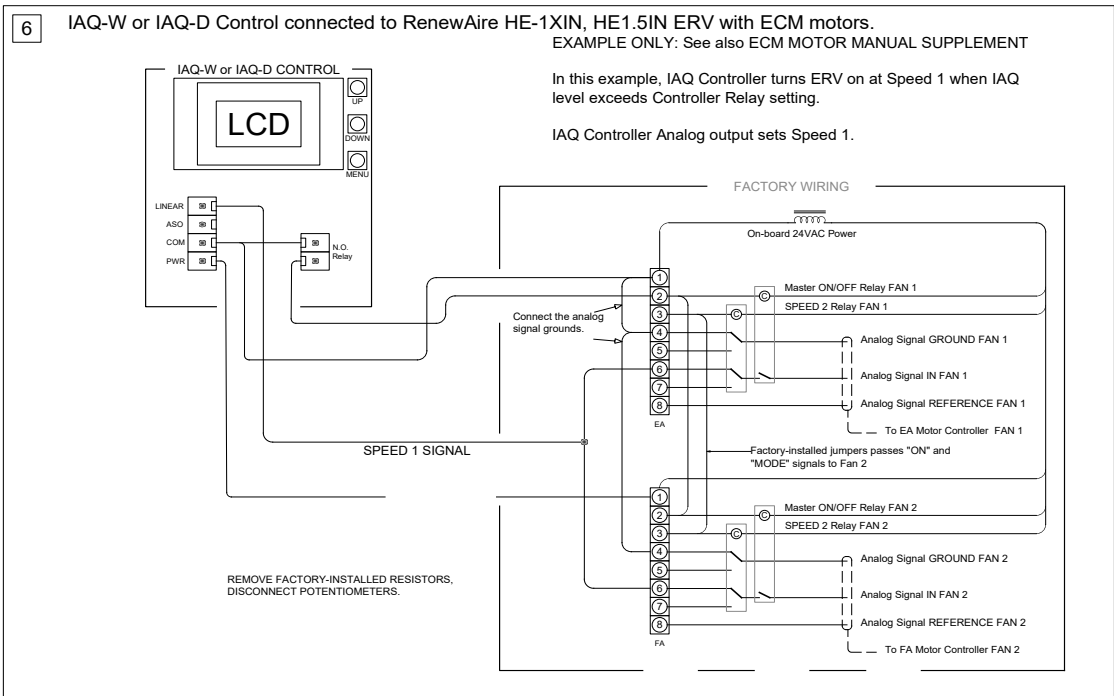
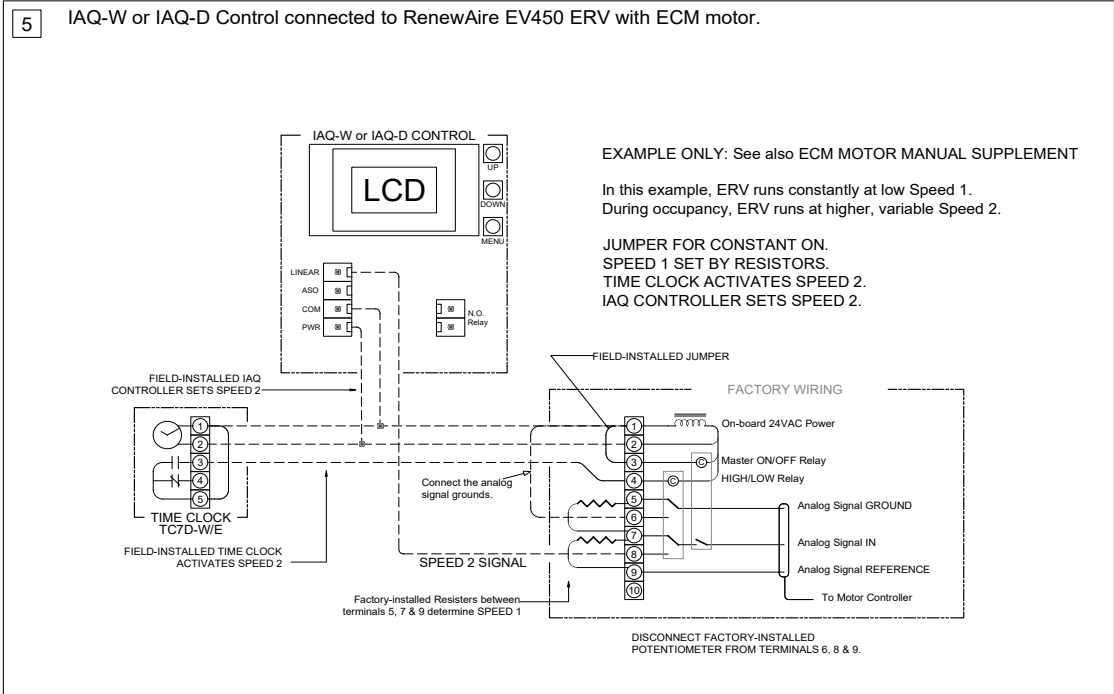


This schematic applies to HE1XRT, HE1.5RT (outdoor) models, LE models, and all HE2X and larger models without VFDs or ECM motors.

4 IAQ-W or IAQ-D Control connected to RenewAir HE- and LE-series commercial ERV with factory-installed Variable Frequency Drives.



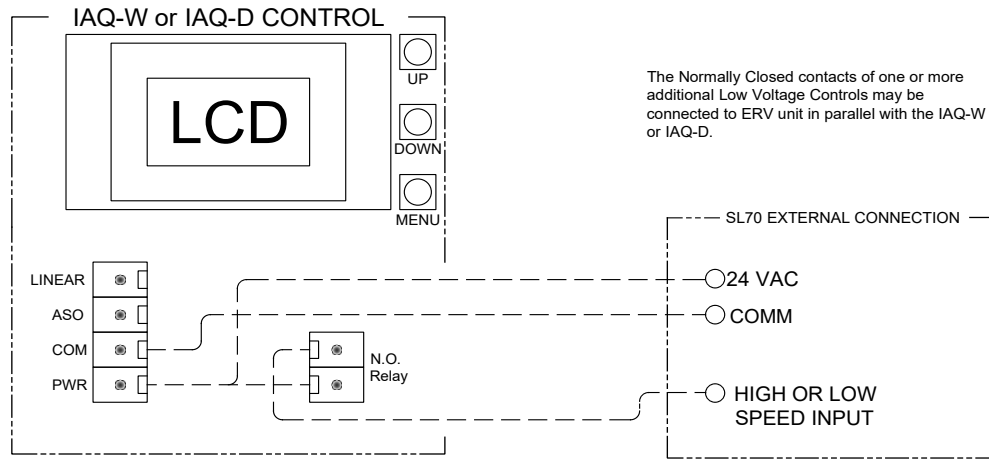
Note: ASO (Analog Stepped Output) can be used in place of LINEAR 0-10Vdc output signal. See IAQ Control installation instructions to set ASO levels.



Note: ASO (Analog Stepped Output) can be used in place of LINEAR 0-10Vdc output signal. See IAQ Control installation instructions to set ASO levels.

7

IAQ-W or IAQ-D Control connected to RenewAir SL Series.



This schematic applies to SL70 models.

Due to continuing product development, specifications are subject to change without notice.