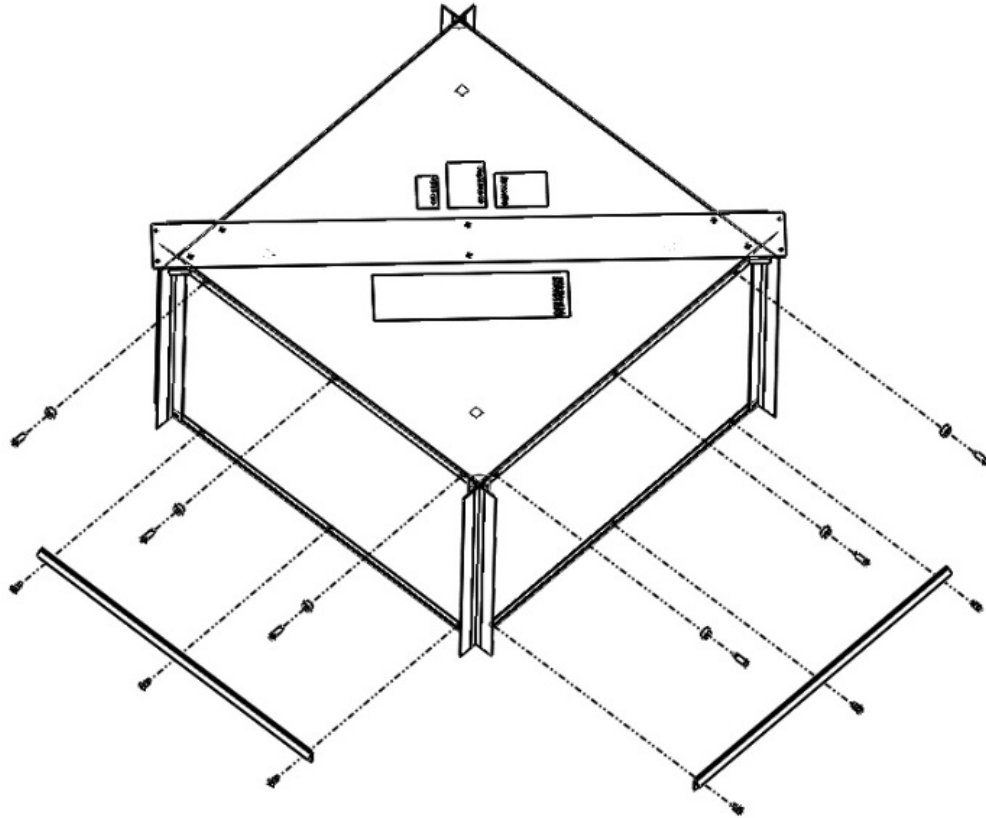


EV450/EV450RT CORE REPLACEMENT PROCEDURE

FOR RENEWAIRE SERVICE PART 990058



If replacing the core in an EV450 unit with filters that have approximately a 3/8" gap between the back of the filter and core face and filter spacers attached to the top and bottom pans of two core faces, remove the spacers from the core being replaced and attach them to RPART core 990058 with the same fasteners, in holes located in the top and bottom pan on two core sides. The bottom core pan gets the two "V" shaped bars attached, with the "V" pointed towards the mounting strap, using the six 1/2" long screws removed from the core being replaced. The six nylon spacers get attached to the top core pan using the six longer screws removed from the core being replaced.

Technical Support:
1-800-627-4499
support@renewaire.com