



MC-C
CEILING MOUNT



MC-W
WALL MOUNT

**SUPPLEMENTAL
MANUAL
OCCUPANCY SENSOR**

MC-C
MC-W

TABLE OF CONTENTS

Product info	2
Installation	2-6
Operation	7

OCCUPANCY SENSOR

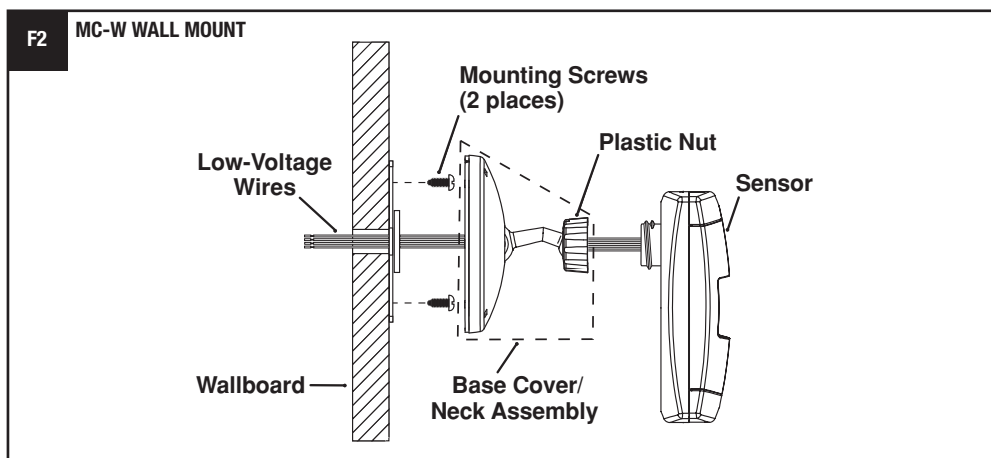
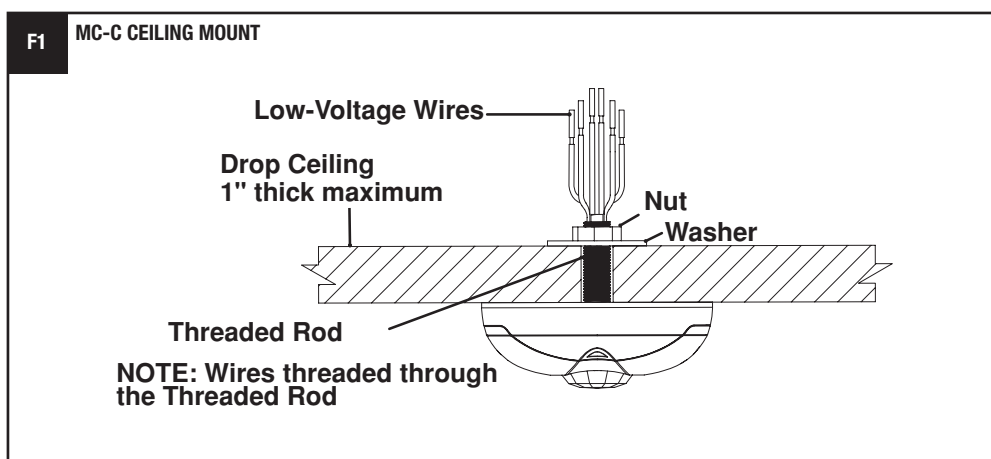
PRODUCT INFO

SPECIFICATION

Model	Volts	Current	Isolated Relay	Coverage Area	Suggested Mounting Height
MC-C	15-28 VAC	30 mA	1 A @ 30 VAC/DC	1500 sq. ft.	8-10 ft
MC-W	15-28 VAC	30 mA	1 A @ 30 VAC/DC	2500 sq. ft.	8-10 ft

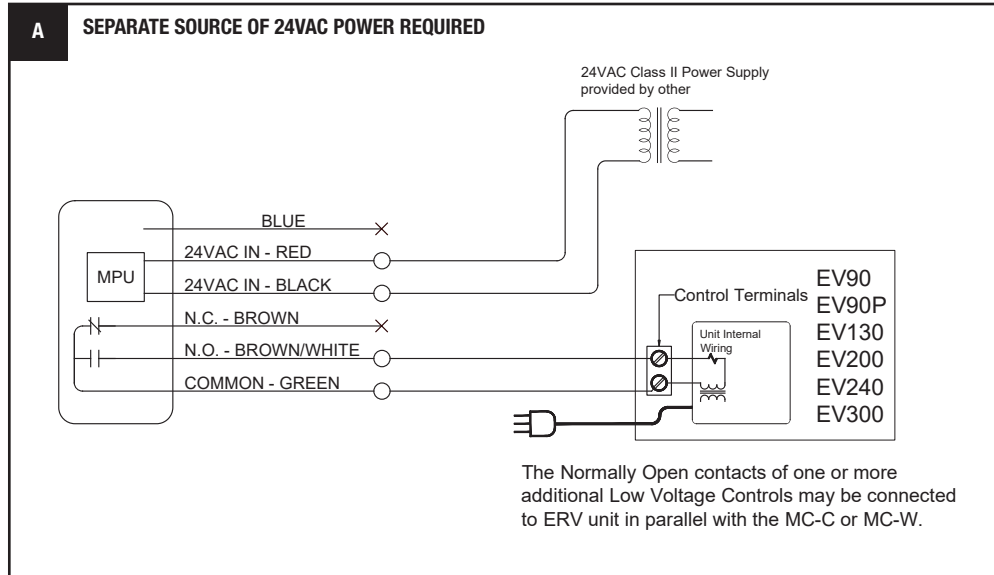
INSTALLATION

MOUNTING OPTIONS See the Leviton installation instructions provided in the original box for in-details or for more options.

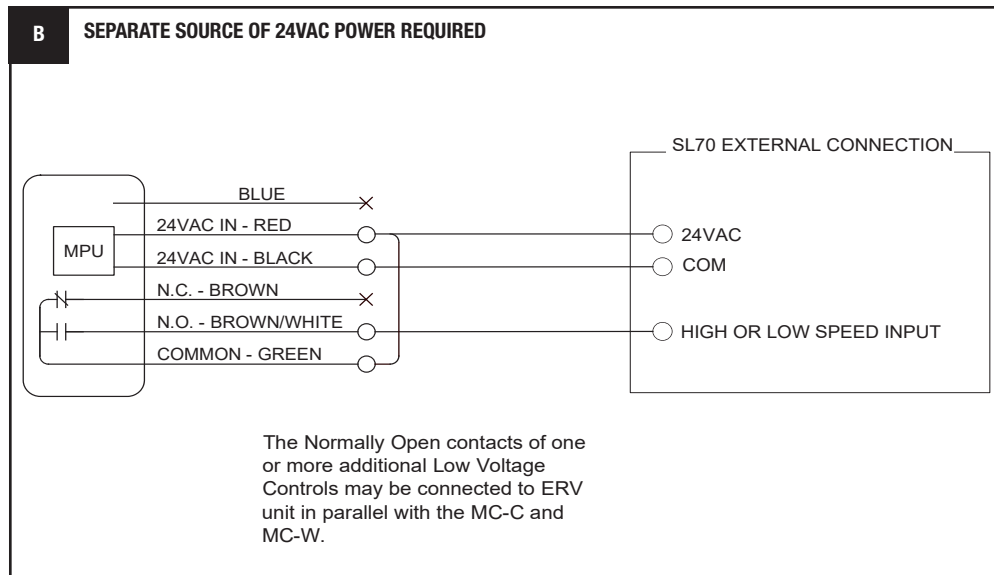


MC-C/MC-W APPLIED TO: EV90, EV90P, EV130, EV200, AND EV300

WIRING SCHEMATICS



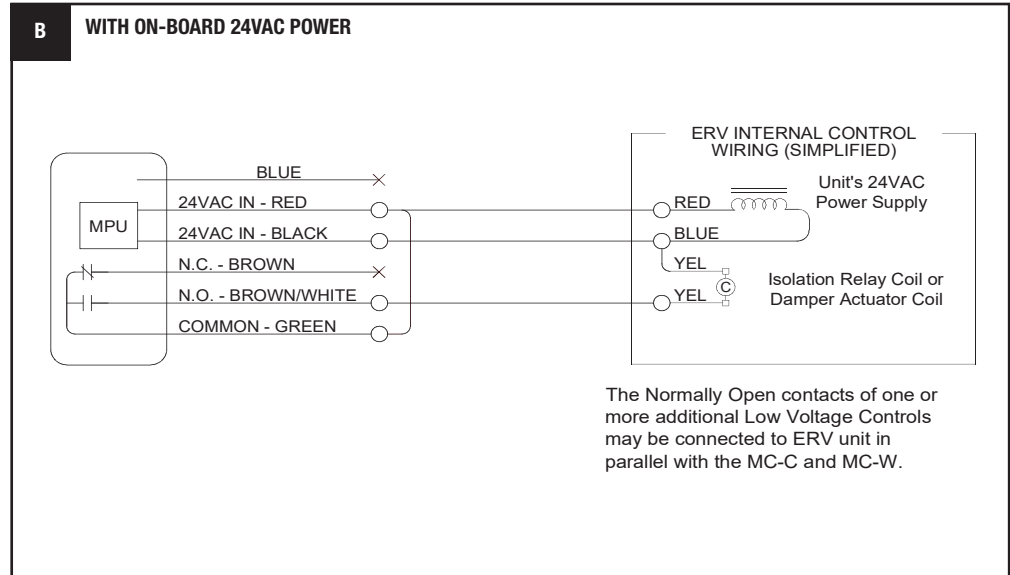
MC-C/MC-W APPLIED TO: SL70



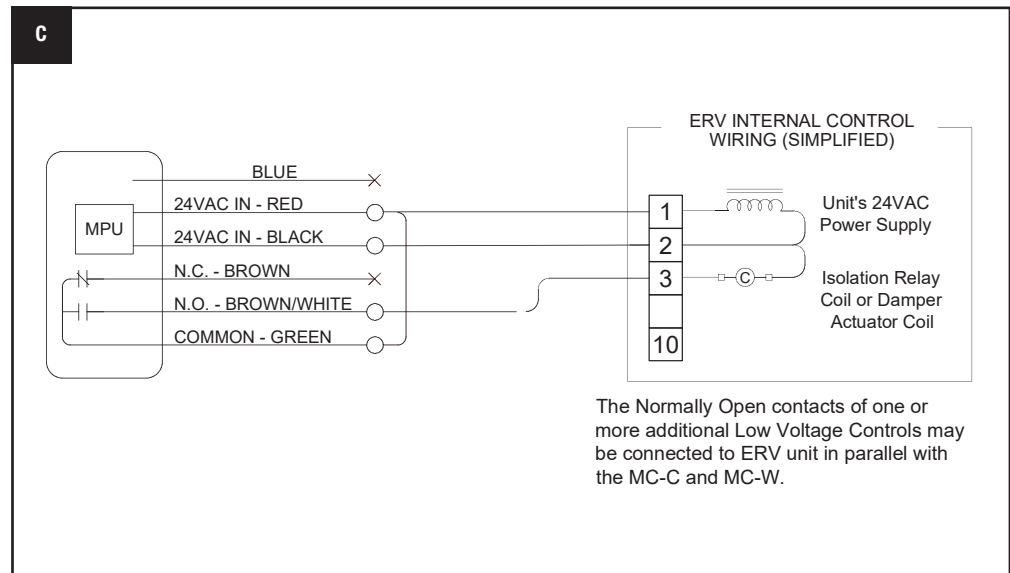
OCCUPANCY SENSOR

INSTALLATION

WIRING SCHEMATICS MC-C/MC-W APPLIED TO: EV450, HE1XIN, AND HE1.5XIN - STANDARD WIRING (NON-ECM)

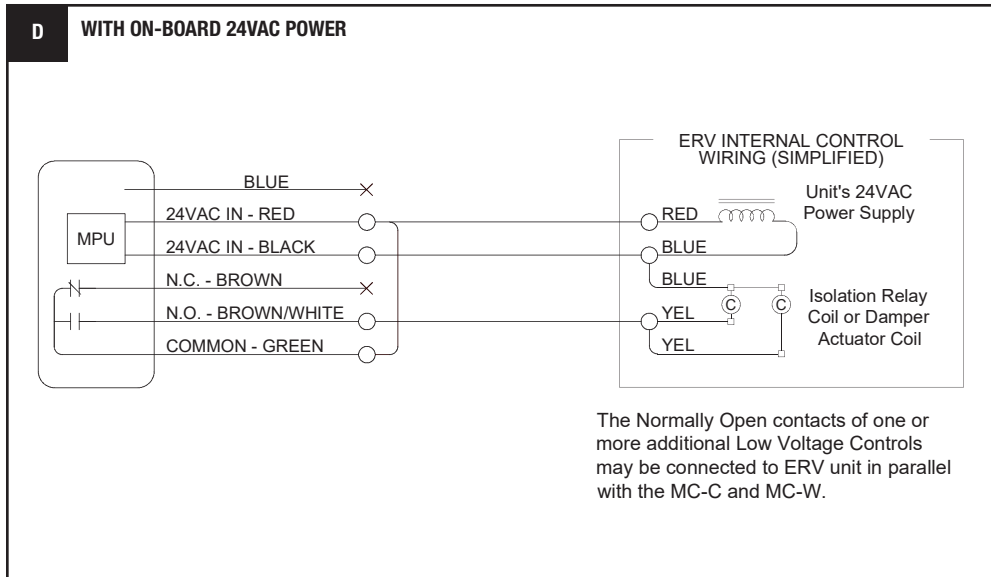


MC-C/MC-W APPLIED TO: EV450 - WITH ECM

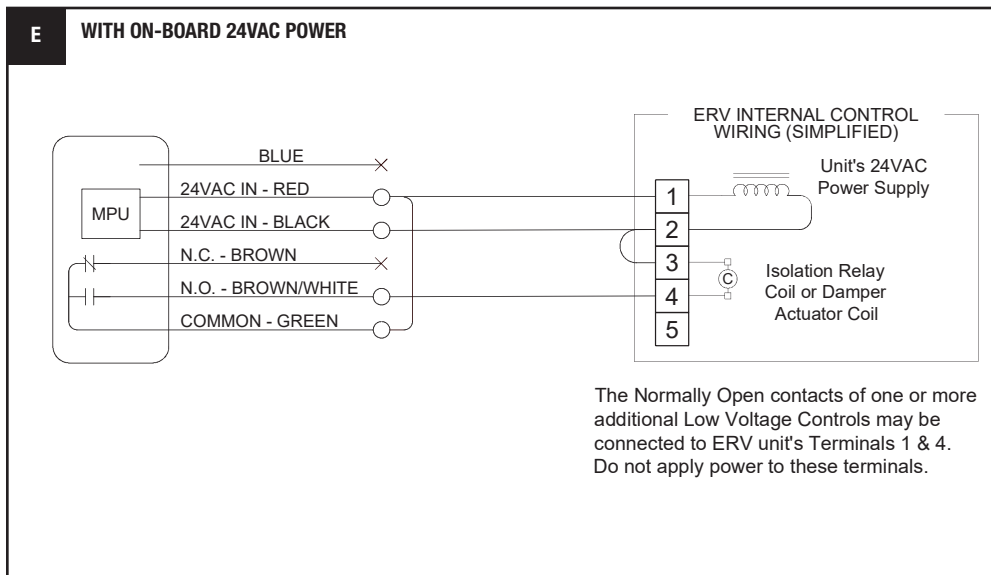


MC-C/MC-W APPLIED TO: HE1XIN OR HE1.5XIN - WITH MOTORIZED DAMPER(S) OR INDEPENDENT BLOWER CONTROL

WIRING SCHEMATICS



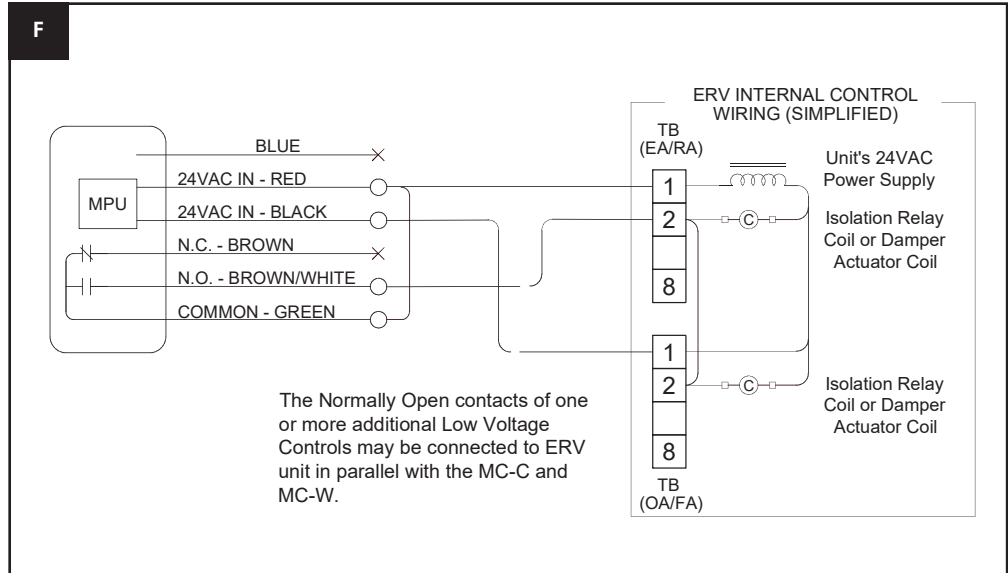
MC-C/MC-W APPLIED TO: HE1XRT OR HE1.5XRT - STANDARD WIRING (NON-ECM OR VFD UNITS)



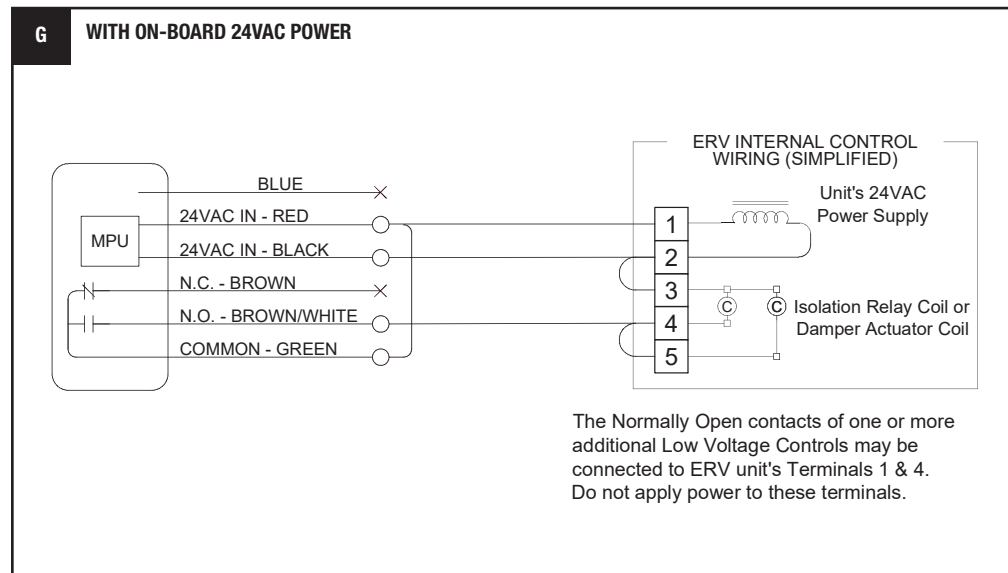
OCCUPANCY SENSOR

INSTALLATION

WIRING SCHEMATICS MC-C/MC-W APPLIED TO: HE1XIN, HE1XRT, HE1.5XIN, OR HE1.5XRT - WITH ECM

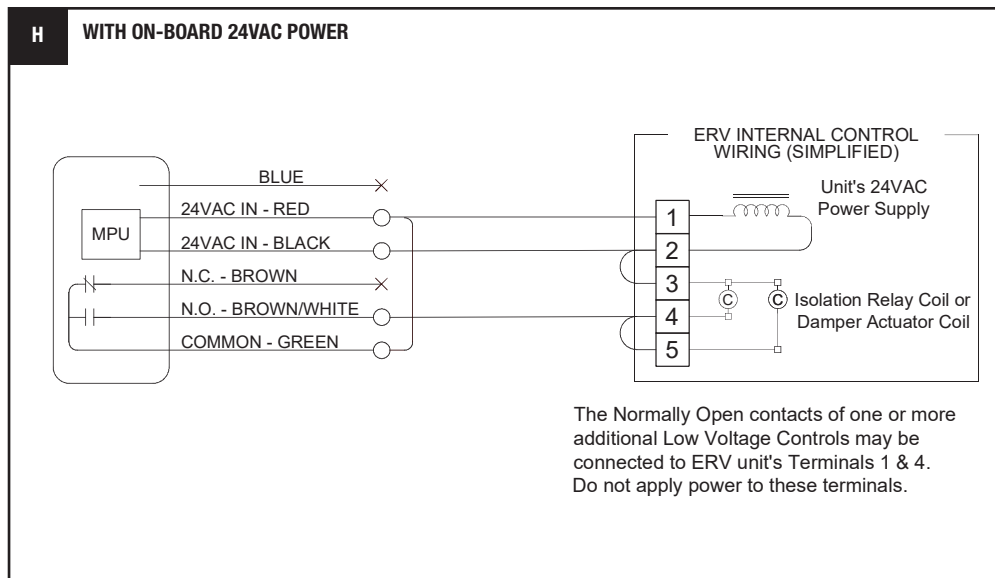


MC-C/MC-W APPLIED TO: HE1XRT OR HE1.5XRT - WITH MOTORIZED DAMPER(S) OR INDEPENDENT BLOWER CONTROL



MC-C/MC-W APPLIED TO: HE2X-HE8X, LE6X-LE10X - STANDARD WIRING OR MOTORIZED DAMPER(S)





WIRING SCHEMATICS



OCCUPANCY SENSOR

OPERATION

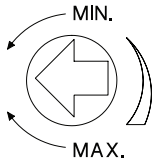
SETTINGS ALL SENSOR ADJUSTMENTS ARE SET WITH KNOBS AS BELOW.

Adjustment Knob Settings				
Knob Color	Symbol	Function	Knob Setting	Factory Default Setting
Red		Sets the infrared range	Range Setting Full CCW = min. (OFF) Full CW = max.	75% 
Black		Delayed - Off Time	Full CCW = min. (30 sec.) Full CW = max. (30 min.)	50% (10 min.) 

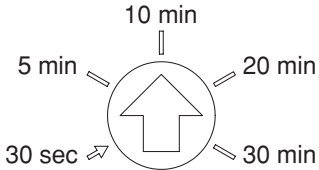
Dip Switch Settings			
Switch	Switch Functions	Switch Settings	
	Bank A	OFF	ON
A1	N/A	N/A	N/A
A2	N/A	N/A	N/A
A3	Manual Mode	Auto Adapting Enabled	Auto Adapting Disabled
A4	Walk-Through Disabled	Walk-Through Enabled	Walk-Through Disabled
	Bank B	OFF	ON
B1	Override to ON	Auto Mode	Lights Forced ON
B2	Override to OFF	Auto Mode	Lights Forced OFF
B3	Test Mode	OFF → ON → OFF = Enter/Exit Test Mode	
B4	LEDs Disabled	LEDs Enabled	LEDs Disabled

Settings

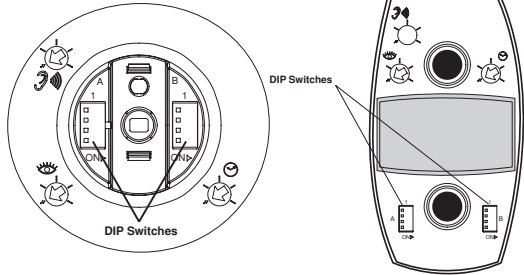
**INFRARED RANGE
ADJUSTMENT**



**DELAYED - OFF TIME
ADJUSTMENT**



DIP SWITCHES



USA
 (800) 627-4499
 FAX: (608) 221-2824
 201 RAEMISCH ROAD
 WAUNAKEE, WISCONSIN 53597 USA
 RENEWAIRE.COM

CANADA
 (905) 475-8989
 FAX: (905) 475-5231
 WWW.MITSUBISHIELECTRIC.CA

**MEXICO,
 CENTRAL & SOUTH AMERICA**
 52 (222) 2 233 911
 FAX: 52 (222) 2 233 914
 WWW.SOLER-PALAU.MX

1.800.627.4499
 renewaire.com
 138280_004 (1/19)

