

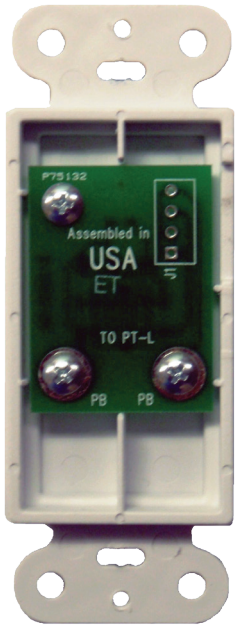
# PBL

## Push Button Point-of-Use Control

For use with EV90/EV90P/EV130/EV200/EV240/EV300



Front



Back

### Operation

The Push Button point-of-use control with indicator Light (PBL) works in conjunction with one Percentage Timer Control (PTL) and is compatible with RenewAire Energy Recovery Ventilator (ERV) models EV90/P, EV130, EV200, EV240 and EV300. The PBL will operate your ERV for either 20, 40, or 60 minutes based upon how many times the logo button has been pushed. The indicator light on the front of the PBL control is on whenever the ERV is operating, unless operating due to an additional control wired directly to your ERV. The PBL control must be properly wired to a PTL control to operate the ERV.

#### 20-40-60 MINUTE VENTILATION CONTROL:

Press the logo and your ventilator will run for 20 minutes. Press again and the unit will run 40 minutes. A third press provides for 60 minutes of operation. The PTL control does not need to be on for the PBL Control to operate the ERV unit.

You can cancel a cycle at anytime. Just press the logo and hold for about five seconds.

You can start another cycle by pressing the logo.

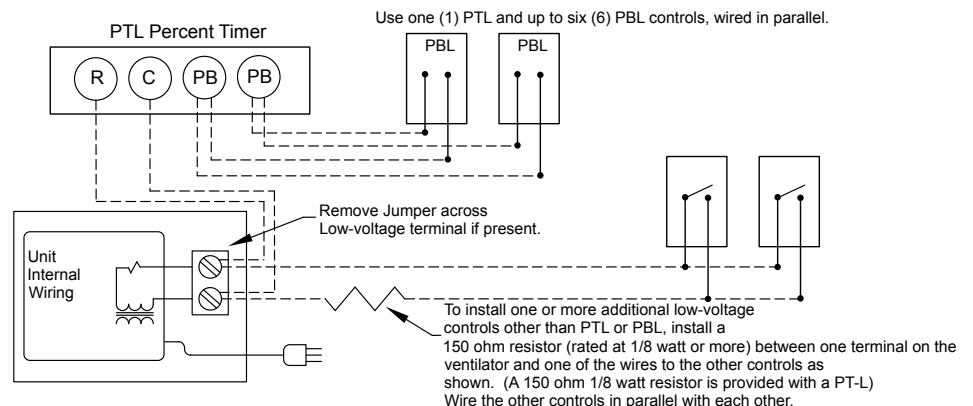
#### NOTE for ERV systems with more than one control:

Another control other than the push button may be causing your ventilator to run. If you wish to keep your ventilator from running, check that none of your controls are calling for unit operation.

### Installation

1. Attach two wires to the back of the PBL Control under the screws at the bottom. Tighten down the screws being careful not to over-tighten.  
Wire Size: 18 - 22 gauge, no more than 500 feet. Wiring is non-polar.
2. Install control in a standard 2" x 4" electrical box, with a minimum depth of 1.5", with the two screws provided.
3. Two wires from the PBL Control should be attached to the 'PB' positions on the terminal block on the back of the Percent Timer Control.
4. For two PBL controls, one wire from each can be twisted together and inserted into a single position on the terminal block on the Percent Timer Control. The wires must be a maximum 18 gage solid wire. If more than two PBL controls are attached or 18 gage stranded wire is used then pigtailed must be inserted into the 'PB' positions on the Percent Timer Control and the leads attached to the pigtailed with wire nuts.
5. Use Lutron Decora™ cover plate to complete installation (single cover plate included).

### Wiring Diagram



\* Except when ERV is operating due to an additional control wired directly to the unit.