



**SUPPLEMENTAL
MANUAL
DIGITAL TIME CLOCK**

TC7D-E
TC7D-W



TC7D-W
WALL MOUNT



TC7D-E
ENCLOSURE

TABLE OF CONTENTS

Product info 2
Installation 3
Dimensions 4

PRODUCT INFO

WARNING

TO REDUCE THE RISK OF FIRE, ELECTRIC SHOCK, OR INJURY TO PERSONS, OBSERVE THE FOLLOWING RULES:

1. Use the unit only in the manner intended by the manufacturer. If you have questions, contact the manufacturer.
2. Before installing, servicing or troubleshooting the transformer/ relay package, switch power off at service panel and lock service panel to prevent power from being switched on accidentally. CAUTION: more than one disconnect switch may be required to de-energize the equipment for servicing.
3. Installation work and electrical wiring must be done by qualified person(s) in accordance with all applicable codes and standards, including fire-rated construction codes and standards.
4. When cutting or drilling into wall or ceiling, do not damage electrical wiring and other hidden utilities.
5. NEVER place a switch where it can be reached from a tub or shower.
6. Intended for use with 24VAC Class 2 power supplies only.
7. Do not connect loads that exceed the timer's switch rating.
8. Confirm sufficient 24VAC power is available to operate the timer and the connected loads.

SPECIFICATION

Operating Voltage:	24VAC 50/60Hz
Switching:	Single Pole, Single Throw [SPST] (can be field-modified to Single Pole, Double Throw [SPDT])
Power consumption:	3.5VA
Switch rating:	10 Amps at 131°F
Operating Temperature Range:	14°F – 131°F
Connections (TC7D-W):	(3) 16 GA pigtails (wire nuts not provided)
Connections (TC7D-E):	(3) copper screw terminals
Setting Options:	8 pairs of on-off time of day cycles can be programmed. Each on-off cycle can be assigned to any one day of the week, or to the following groups of days: Monday – Friday; Monday – Saturday; Monday – Sunday; Saturday and Sunday. Manual Over-ride provided by “On/Auto/Off” switch. Program Reset button clears all settings.
Enclosure (TC7D-W):	Requires a 4” x 4” electrical box by others. Box must accommodate (4) mounting screws (see drawing). Minimum box depth 1.5”. White wall plate and mounting screws provided.
Enclosure (TC7D-E):	NEMA 3R. (see drawing page 4)

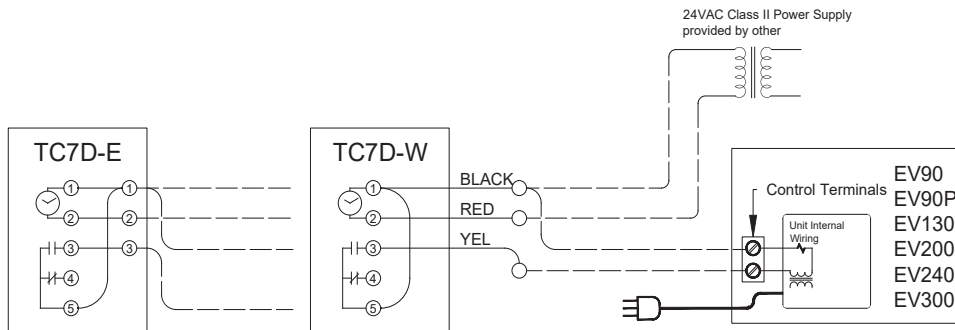
INSTALLATION

SETTING INSTRUCTIONS

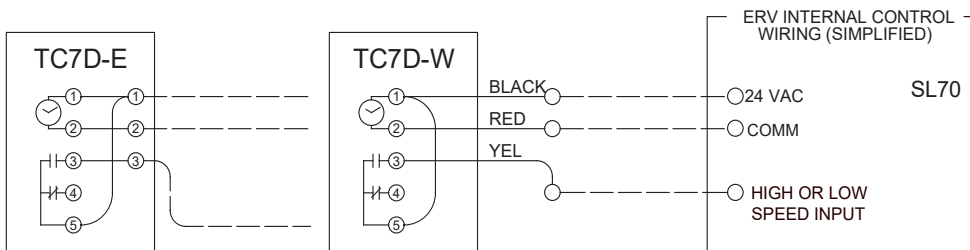
- Set Time and Day** Slide Set switch to ☉ press 1...7 button until arrow points to the correct day (1=Monday). Press h then m buttons to set correct time. PM indicator shows noon to 11:59 PM. Slide Set switch to Run. Clock colon will blink.
- Set Switch “On” Cycle** Slide Set switch to ☉. A “1” indicates the first switch cycle and a “Bulb” indicates a switch-on (circuit closes). Press 1...7 button until arrows point to selected day(s) for this cycle. Press h and m buttons to show switch-on time, noting PM indicator.
- Set Switch “Off” Cycle** With Set switch at ☉, press ☉ button, note switch cycle number changes to “2” and bulb blanks, indicating switch-off (circuit opens). Press 1...7 button to match day(s) set for switch cycle “1.” Press h and m buttons to select switch-off time.
- Autorun** Slide Set switch to Run and Mode switch to Auto, switching begins with next switch-on set time.
- Override “On”** Slide Mode switch to I. Switch remains on indefinitely (circuit closed).
- Override “Off”** Slide Mode switch to O. Switch remains on indefinitely (circuit open).
- Skip Cycle** In automatic run mode, press x- button. The next calendar day is skipped.
- Setting ERROR** If EEE appears, a setting error exists. The switch cycle number in error is shown. Slide set switch to ☉, press ☉ button until cycle is shown, review this and the following setting to correct error, slide set switch to Run.
- Clear any setting** Setting slide set switch to ☉, press ☉ button to show switch cycle to clear. Press the ☉ button and the skip (x) button simultaneously, hold for several seconds.
- Clear All** To erase all settings, Press R.

TC7D-W/TC7D-E APPLIED TO: EV90, EV90P, EV130, EV200, EV240, EV300

WIRING SCHEMATICS



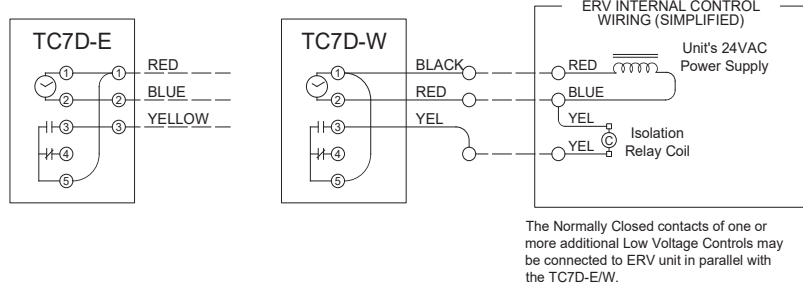
TC7D-W/TC7D-E APPLIED TO: SL70



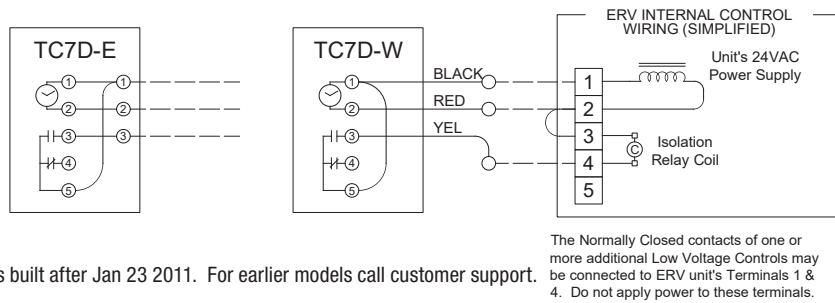
DIGITAL TIME CLOCK

INSTALLATION WIRING SCHEMATICS

TC7D-W/TC7D-E APPLIED TO: EV450 AND HE1XIN*



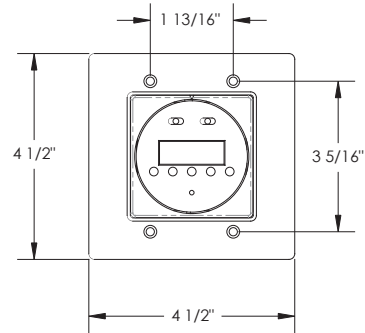
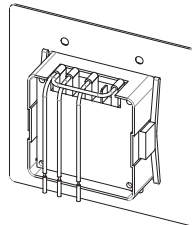
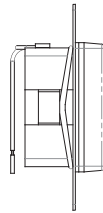
TC7D-W/TC7D-E APPLIED TO: HE1XRT, HE1.5 THROUGH LE10X*



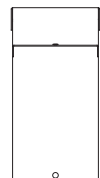
*For models built after Jan 23 2011. For earlier models call customer support.

DIMENSION DRAWINGS

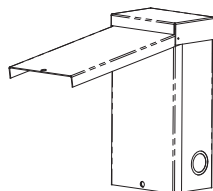
TC7D-W



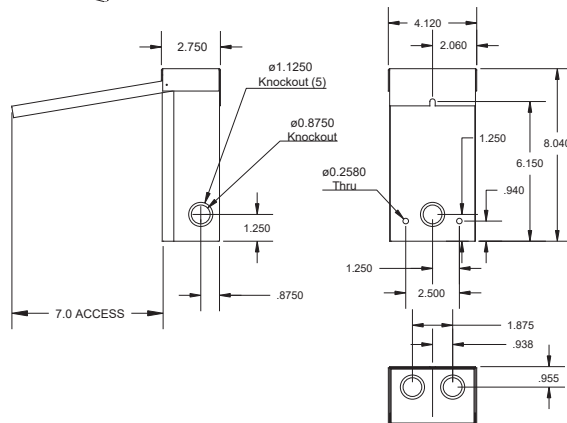
TC7D-E



FRONT VIEW



ISOMETRIC VIEW



DIMENSIONS ARE APPROXIMATE.

USA
(800) 627-4499
FAX: (608) 221-2824
201 RAEMISCH ROAD
WAUNAKEE, WISCONSIN 53597 USA
RENEWAIRE.COM

CANADA
(905) 475-8989
FAX: (905) 475-5231
WWW.MITSUBISHIELECTRIC.CA

**MEXICO,
CENTRAL & SOUTH AMERICA**
52 (222) 2 233 911
FAX: 52 (222) 2 233 914
WWW.SOLER-PALAU.MX

1.800.627.4499
renewaire.com
138200_005 (1/19)

