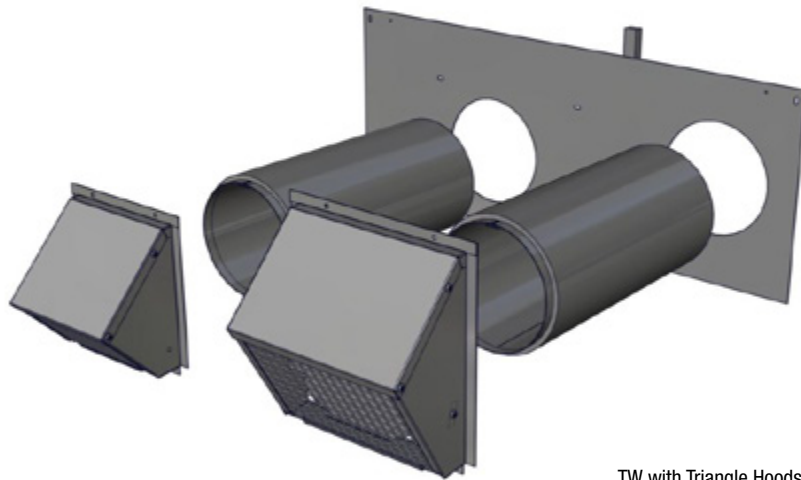


Thru Wall Kit for BR Series

Supplemental Installation Manual for Accessories

TW70
TW130



TW with Triangle Hoods

⚠ WARNING

To reduce the risk of fire, electrical shock, or injury to persons observe the following rules:

- Use the unit only in the manner intended by the manufacturer. If you have questions, contact the manufacturer.
- Installation work and electrical wiring must be done by qualified person(s) in accordance with all applicable codes and standards, including fire-rated construction codes and standards.
- When cutting or drilling into wall or ceiling, do not damage electrical wiring and other hidden utilities.
- This installation manual shows the suggested installation method. Any structural alterations necessary for installation must comply with all applicable building, health, and safety code requirements.

1.0 OVERVIEW **4**

1.1 DESCRIPTION4

2.0 INSTALLATION **4**

2.1 TW INSTALLATION4

2.2 BR INSTALLATION.....4

TABLE OF ILLUSTRATIONS

Figure 2.2.0 Bracket to Plate Alignment5

1.0 OVERVIEW

1.1 DESCRIPTION

Kits should be installed by properly licensed contractor(s) according to local code requirements.

The Thru-Wall Kit (TW) consists of two exterior hoods, two insulated metal ducts, an interior mounting plate, and a small air seal gasket. The TW kit is used in conjunction with the BR units by RenewAire. Refer to the Installation, Operation, and Maintenance Manual packed with the BR unit for complete installation instructions.

Select a location for the TW kit and BR unit so that:

- the fresh air intake vent is placed a minimum of 10' from any other exhaust vent.
- the power cord for the BR unit reaches an electrical outlet.
- the front cover of the BR unit can be opened to allow cleaning the core and filters. Provide at least 24" of clearance at the front of unit for service access to the blowers, filters, and exchanger core.

2.0 INSTALLATION

2.1 TW INSTALLATION

- Attach the interior plate to the interior wall using the slots in the plate. Make sure the screws, which you must supply, are properly selected for the substrate involved.
- Using the large holes in the plate as a reference, cut holes to the outside allowing for a downward tilt to the outside of 1/2" for 12" of duct length. The holes on the interior wall are 6-1/2" diameter and the holes on the exterior wall should be 6" diameter.
- Slide the insulated ducts through the holes from the inside of the building.
- Bend over the tabs at the ends of the ducts on the outside of the building.
- Adjust the duct length by cutting the duct to size. Allow a maximum of 1/2" duct to extend past the interior wall covering.
- Attach the tabs on the outside of the ducts to the building to keep the ducts in position.
- Attach the wall caps to the exterior of the building. The wall cap with the louver inside it (rain guard) covers the fresh air duct. The small wall cap without rain guard covers the exhaust air duct.
- Install appropriate flashing and sealing around the wall cap flanges to prevent moisture penetration into the building structure.

2.2 BR UNIT INSTALLATION

Refer to the Installation, Operation, and Maintenance Manual packed with the BR unit for complete installation instructions.

- Align bracket marked "Duct Hanging Bracket" to interior plate using small holes at edge of plate. Attach bracket to plate. See Figure 2.2.0.

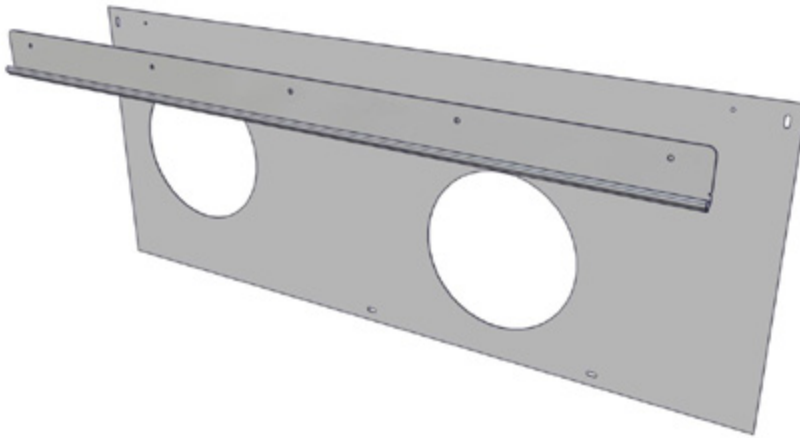


FIGURE 2.2.0 BRACKET TO PLATE ALIGNMENT

- Attach bracket marked "Unit Hanging Bracket" to back of BR unit.
- Apply air seal to back of BR unit between openings to fit between other gasketing to form two rectangles. Check the gasket on the back of the unit to insure it is free of tears and rips.
- Lift the unit and connect the hanging bracket on the unit into the hanging bracket on the interior plate.
USE CAUTION AND AN ASSISTANT WHEN INSTALLING THE UNIT OVERHEAD.
- Swing the unit into position and verify its fit with the ducts. Attach the unit end flanges to the wall. Fasten the lengthwise bracket to the unit and wall. Make sure the screws are properly selected for the substrate involved.
- Complete the BR unit installation per the Installation, Operation, and Maintenance Manual packed with the BR unit.

THIS PAGE IS INTENTIONALLY LEFT BLANK



THIS PAGE IS INTENTIONALLY LEFT BLANK





About RenewAire

For over 30 years, **RenewAire has been a pioneer in enhancing indoor air quality (IAQ)** in commercial and residential buildings of every size. This is achieved while maximizing sustainability through our fifth-generation, static-plate, enthalpic-core **Energy Recovery Ventilators (ERVs) that optimize energy efficiency**, lower capital costs via load reduction and decrease operational expenses by minimizing equipment needs, resulting in significant energy savings. Our ERVs are competitively priced, simple to install, easy to use and maintain and have a quick payback. They also enjoy the industry's best warranty with the lowest claims due to long-term reliability derived from innovative design practices, expert workmanship and **Quick Response Manufacturing (QRM)**.

As the pioneer of static-plate core technology in North America, RenewAire is the largest ERV producer in the USA. We're **committed to sustainable manufacturing** and lessening our environmental footprint, and to that end our Waunakee, WI plant is 100% powered by wind turbines. The facility is also one of the few buildings worldwide to be LEED and Green Globes certified, as well as having achieved ENERGY STAR Building status. In 2010, RenewAire joined the Soler & Palau (S&P) Ventilation Group in order to provide direct access to the latest in energy-efficient air-moving technologies. For more information, visit: renewaire.com

201 Raemisch Road | Waunakee, WI | 53597 | 800.627.4499 | RenewAire.com