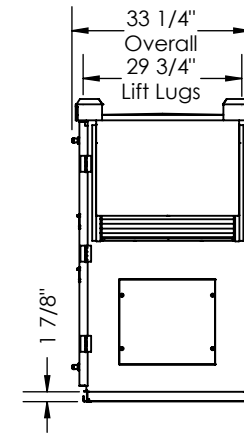
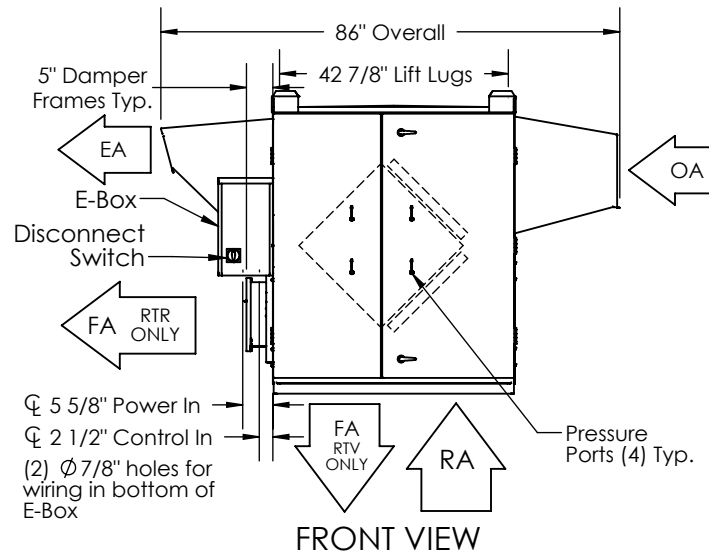
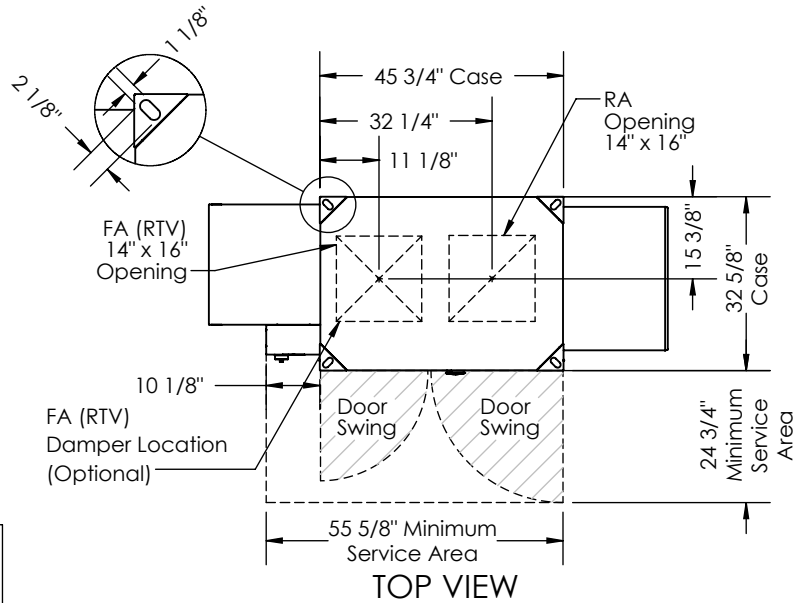
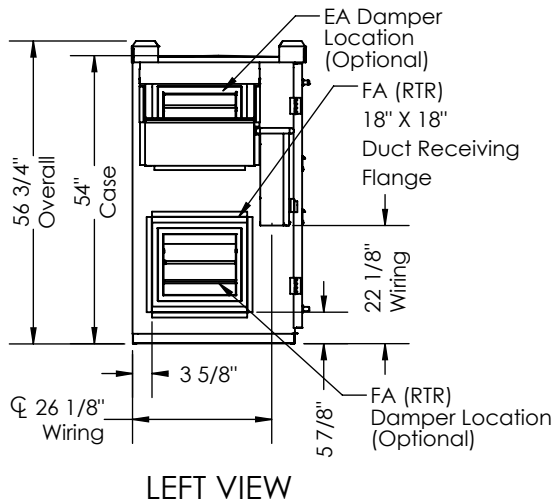
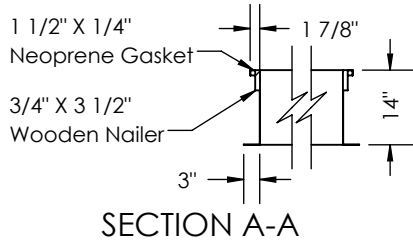


CURB CROSS-SECTION A-A (TYP.)



ABBREVIATIONS

- EA: Exhaust Air to outside
- OA: Outside Air intake
- RA: Room Air to be exhausted
- FA: Fresh Air to inside
- RTV: Rooftop Vertical RA & FA
- RTR: Rooftop Vertical RA Only

INSTALLATION ORIENTATION

Unit must be installed in orientation shown.

NOTE:

1. UNLESS OTHERWISE SPECIFIED, DIMENSIONS ARE ROUNDED TO THE NEAREST EIGHTH OF AN INCH.
2. SPECIFICATIONS MAY BE SUBJECT TO CHANGE WITHOUT NOTICE.