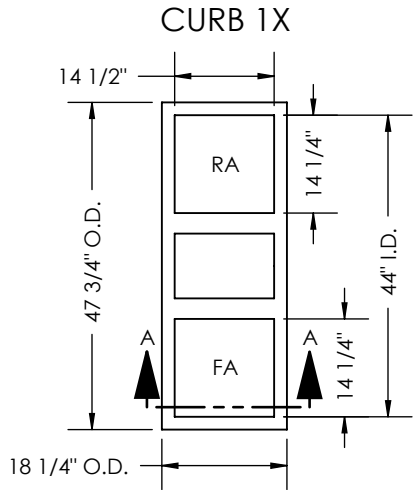
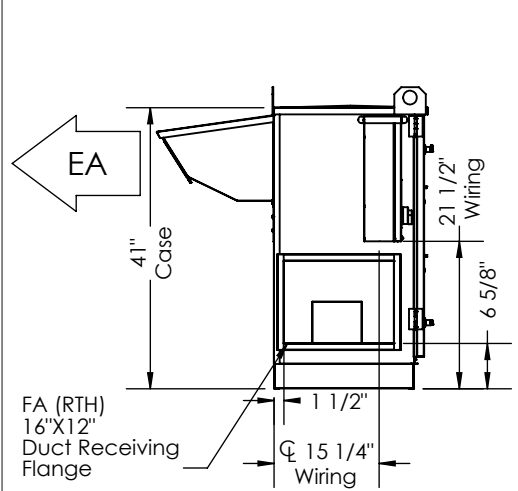
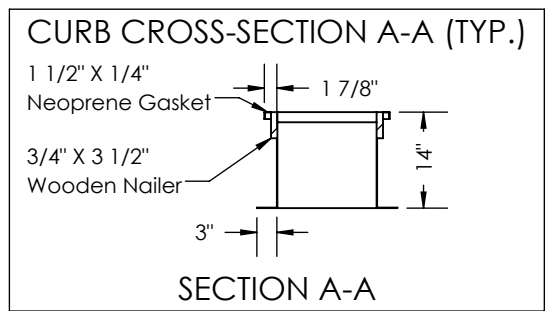


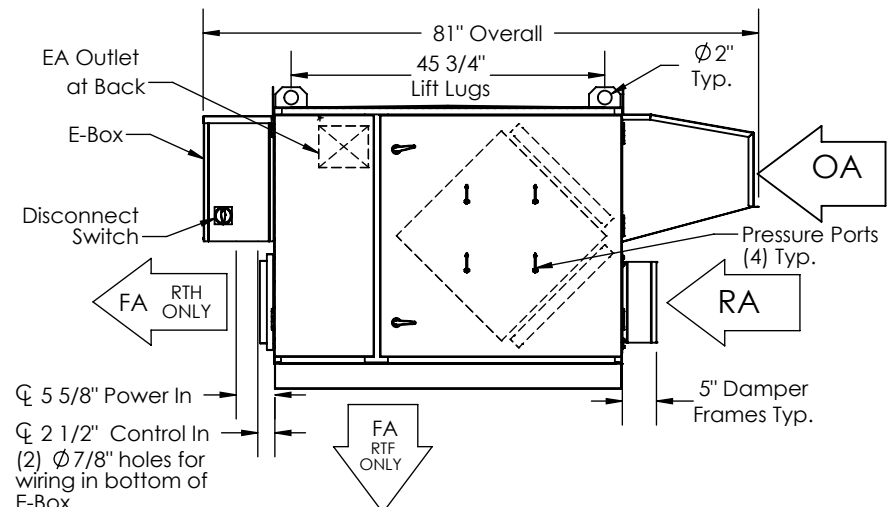
TOP VIEW



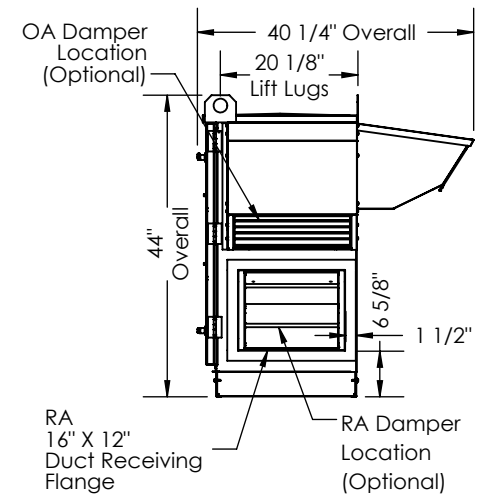
TOP VIEW



LEFT VIEW



FRONT VIEW



RIGHT VIEW

ABBREVIATIONS
 EA: Exhaust Air to outside
 OA: Outside Air intake
 RA: Room Air to be exhausted
 FA: Fresh Air to inside
 RTF: Rooftop Vertical FA Only
 RTH: Rooftop Horizontal RA & FA

INSTALLATION ORIENTATION
 Unit must be installed in orientation shown.

NOTE:
 1. UNLESS OTHERWISE SPECIFIED, DIMENSIONS ARE ROUNDED TO THE NEAREST EIGHTH OF AN INCH.
 2. SPECIFICATIONS MAY BE SUBJECT TO CHANGE WITHOUT NOTICE.

Model: RTH/RTF
 Drawing Type: Unit Dimension
 Version: MAY18

