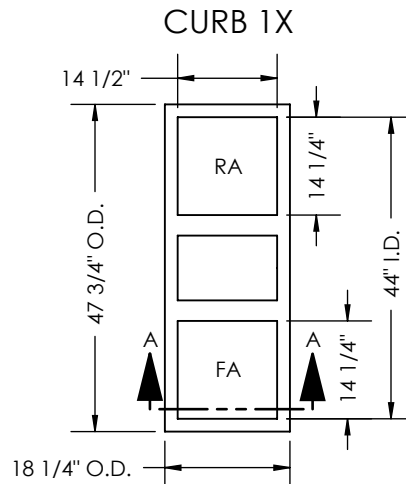
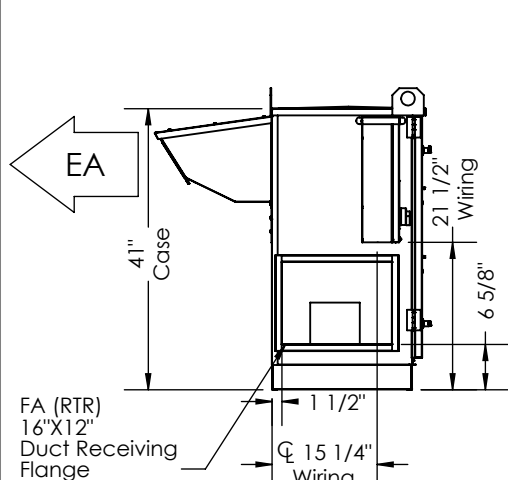
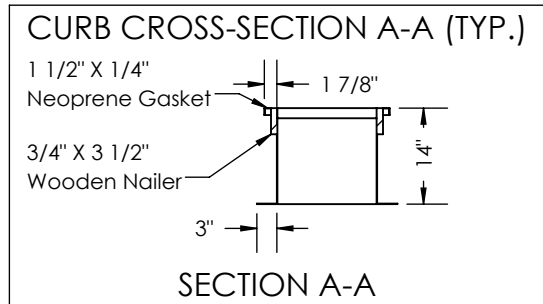


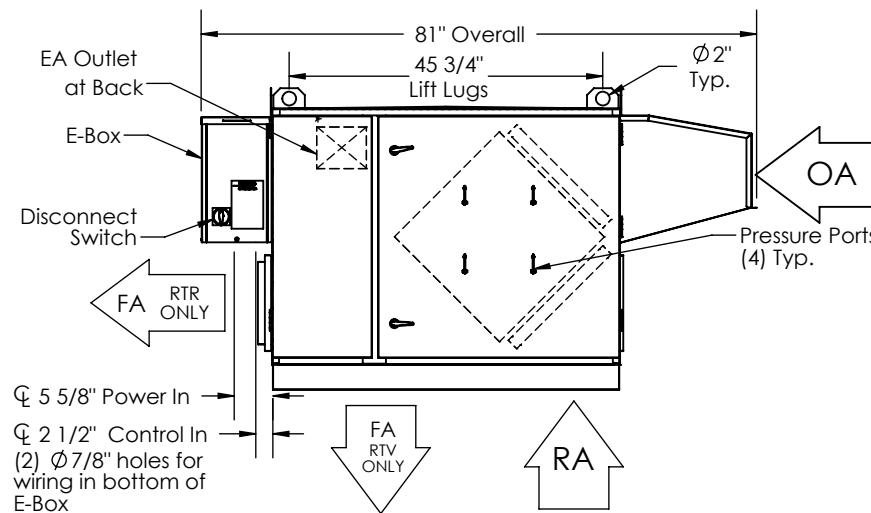
TOP VIEW



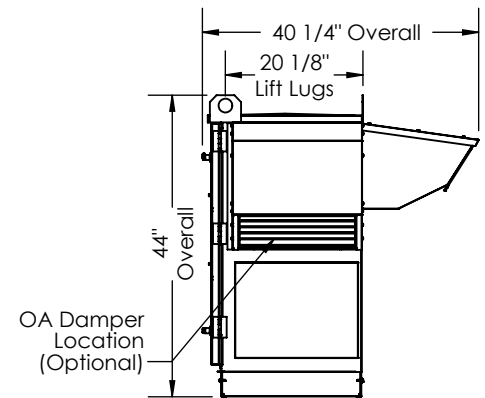
TOP VIEW



LEFT VIEW



FRONT VIEW



RIGHT VIEW

**ABBREVIATIONS**

EA: Exhaust Air to outside  
 OA: Outside Air intake  
 RA: Room Air to be exhausted  
 FA: Fresh Air to inside  
 RTV: Rooftop Vertical RA & FA  
 RTR: Rooftop Vertical RA Only

**INSTALLATION ORIENTATION**

Unit must be installed in orientation shown.

**NOTE:**

1. UNLESS OTHERWISE SPECIFIED, DIMENSIONS ARE ROUNDED TO THE NEAREST EIGHTH OF AN INCH.

2. SPECIFICATIONS MAY BE SUBJECT TO CHANGE WITHOUT NOTICE.