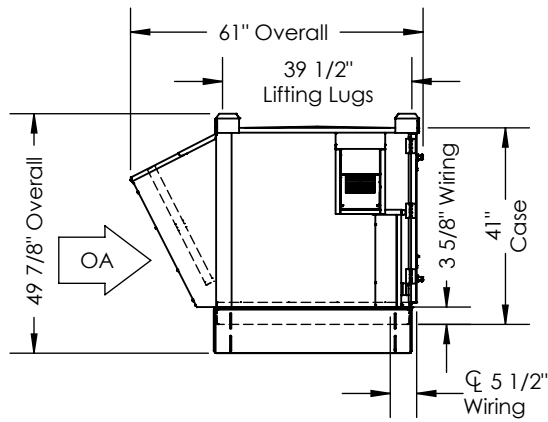
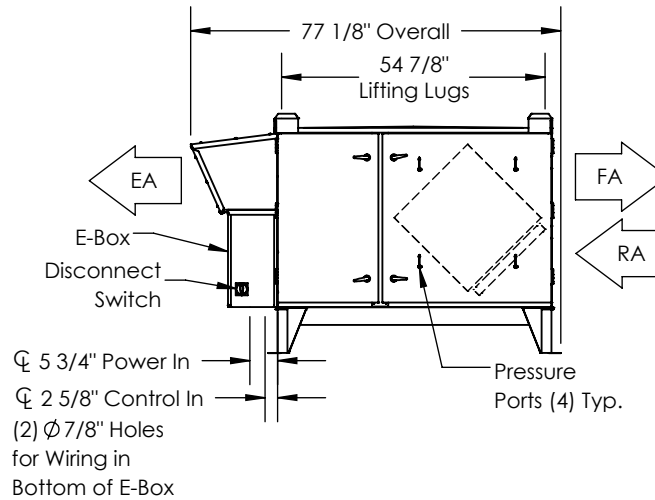


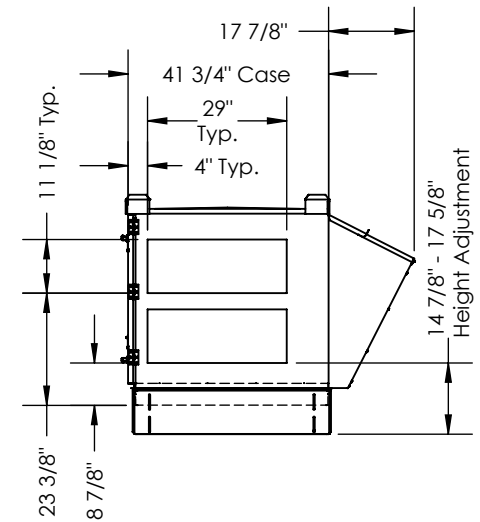
TOP VIEW



LEFT VIEW



FRONT VIEW



RIGHT VIEW

ABBREVIATION

EA: Exhaust Air to outside
OA: Outside Air intake
RA: Room Air to be exhausted
FA: Fresh Air to inside

INSTALLATION ORIENTATION

Unit must be installed in orientation shown.

NOTE:

- UNLESS OTHERWISE SPECIFIED, DIMENSIONS ARE ROUNDED TO THE NEAREST EIGHTH OF AN INCH.
- SPECIFICATIONS MAY BE SUBJECT TO CHANGE WITHOUT NOTICE.