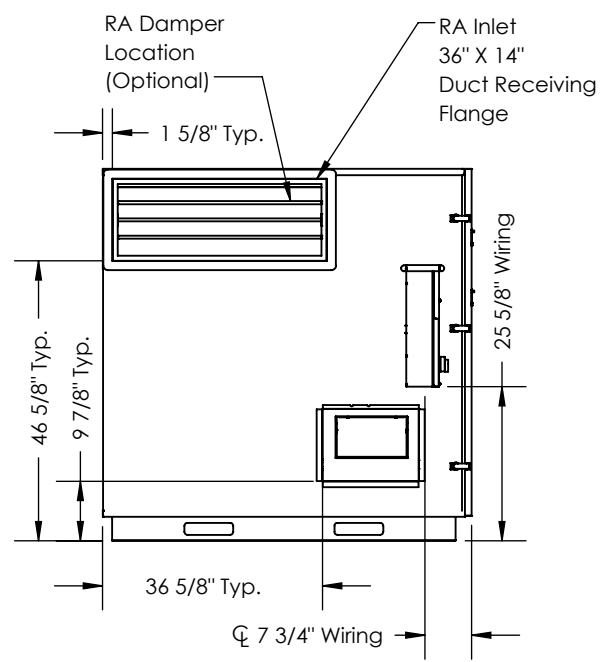


ABBREVIATION
 EA: Exhaust Air to outside
 OA: Outside Air intake
 RA: Room Air to be exhausted
 FA: Fresh Air to inside

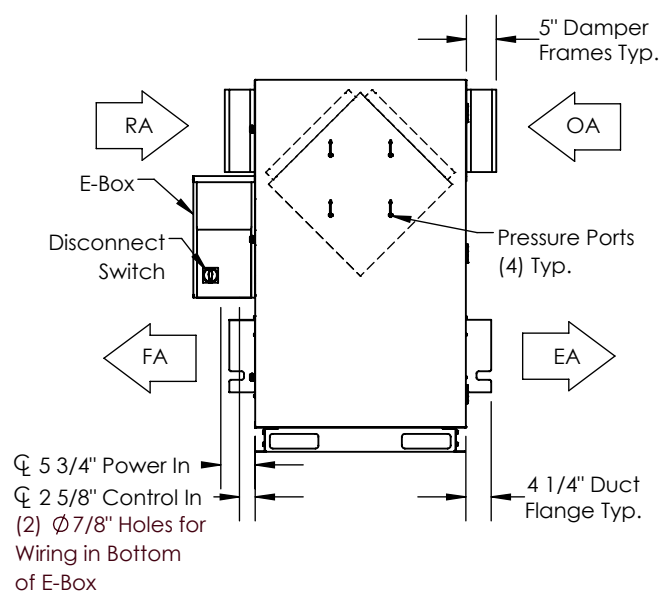
INSTALLATION ORIENTATION
 Unit must be installed in orientation shown.

NOTE:
 1. UNLESS OTHERWISE SPECIFIED, DIMENSIONS ARE ROUNDED TO THE NEAREST EIGHTH OF AN INCH.
 2. SPECIFICATIONS MAY BE SUBJECT TO CHANGE WITHOUT NOTICE.
 3. MIN. DUCT CLEARANCE FROM DAMPER BLADES WHEN FULLY OPENED TO BE 2". SMACNA RULES APPLY.

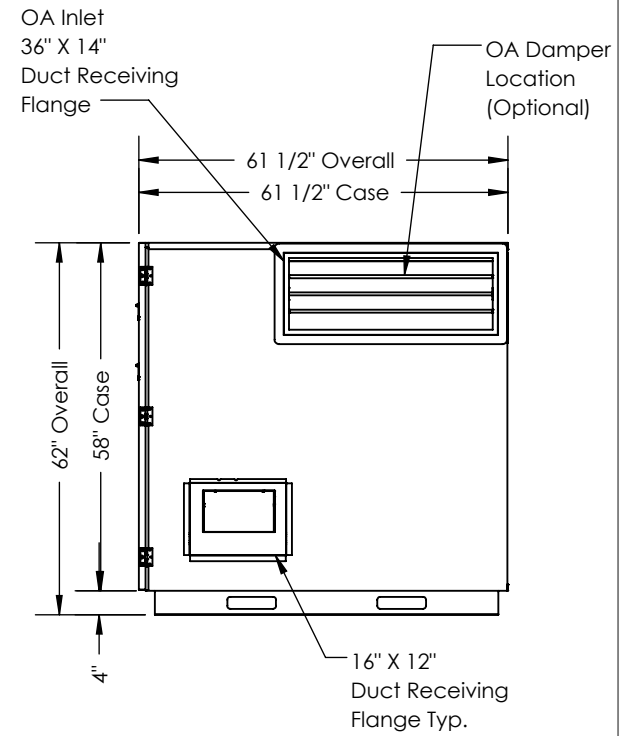
TOP VIEW



LEFT VIEW



FRONT VIEW



RIGHT VIEW