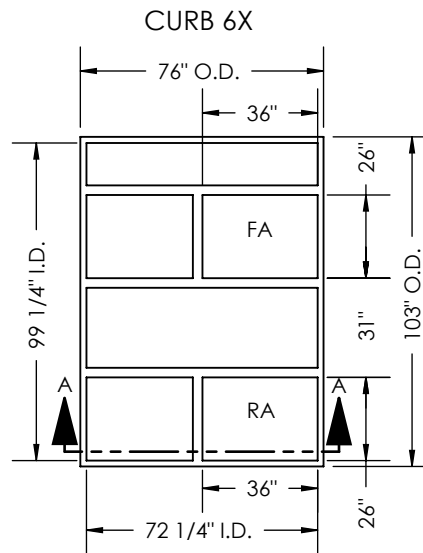
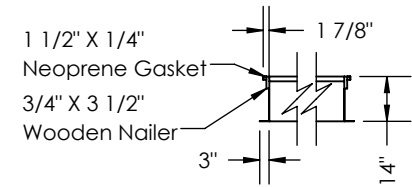


TOP VIEW

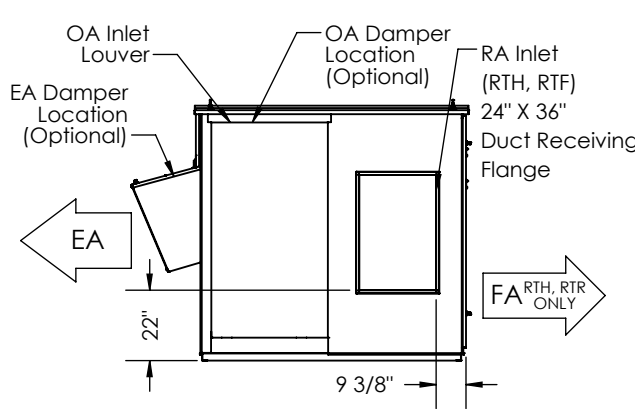


TOP VIEW

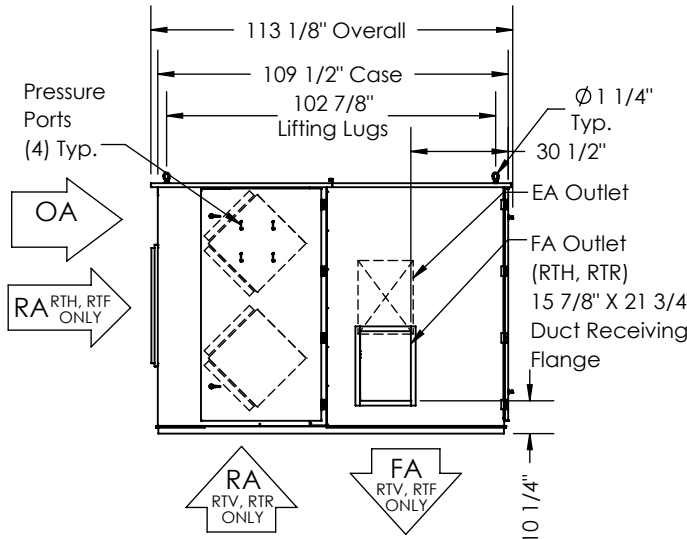
CURB CROSS-SECTION A-A (TYP.)



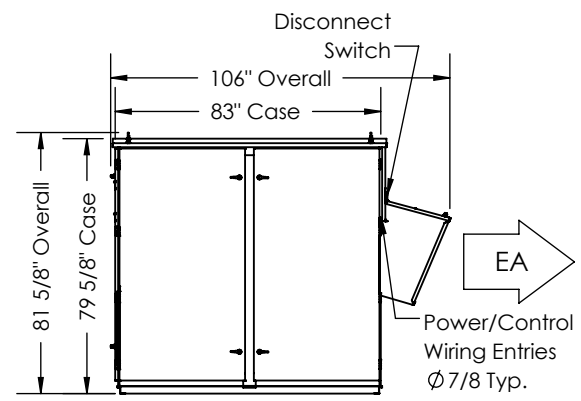
SECTION A-A



LEFT VIEW



FRONT VIEW



RIGHT VIEW

**ABBREVIATIONS**

- EA: Exhaust Air to outside
- OA: Outside Air intake
- RA: Room Air to be exhausted
- FA: Fresh Air to inside
- RTV: Rooftop Vertical RA & FA
- RTF: Rooftop Vertical FA Only
- RTR: Rooftop Vertical RA Only
- RTH: Rooftop Horizontal RA & FA

**INSTALLATION ORIENTATION**

Unit must be installed in orientation shown.

**NOTE:**

1. UNLESS OTHERWISE SPECIFIED, DIMENSIONS ARE ROUNDED TO THE NEAREST EIGHTH OF AN INCH.
2. SPECIFICATIONS MAY BE SUBJECT TO CHANGE WITHOUT NOTICE.