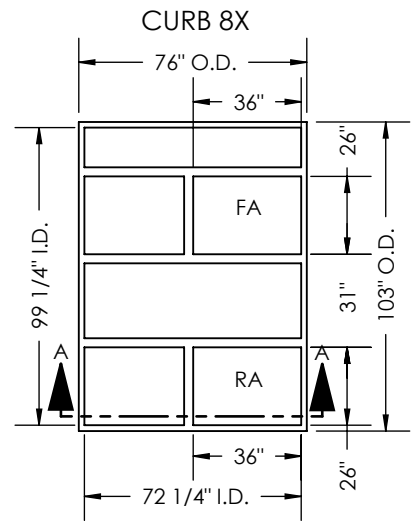


TOP VIEW

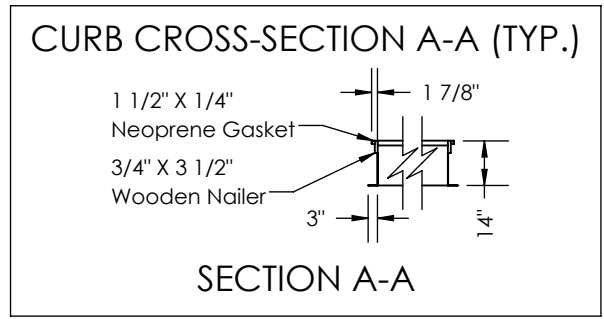


TOP VIEW

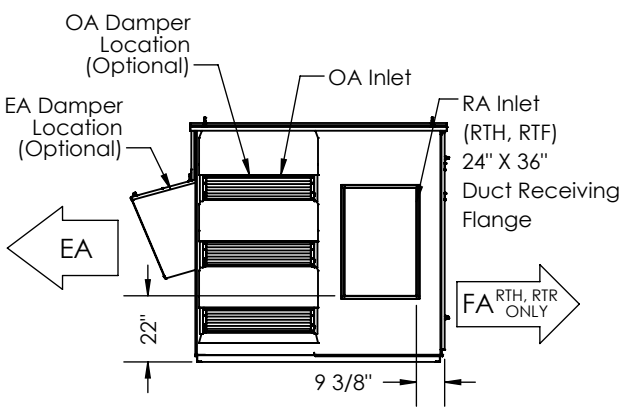
ABBREVIATIONS
 EA: Exhaust Air to outside
 OA: Outside Air intake
 RA: Room Air to be exhausted
 FA: Fresh Air to inside
 RTV: Rooftop Vertical RA & FA
 RTF: Rooftop Vertical FA Only
 RTR: Rooftop Vertical RA Only
 RTH: Rooftop Horizontal RA & FA

INSTALLATION ORIENTATION
 Unit must be installed in orientation shown.

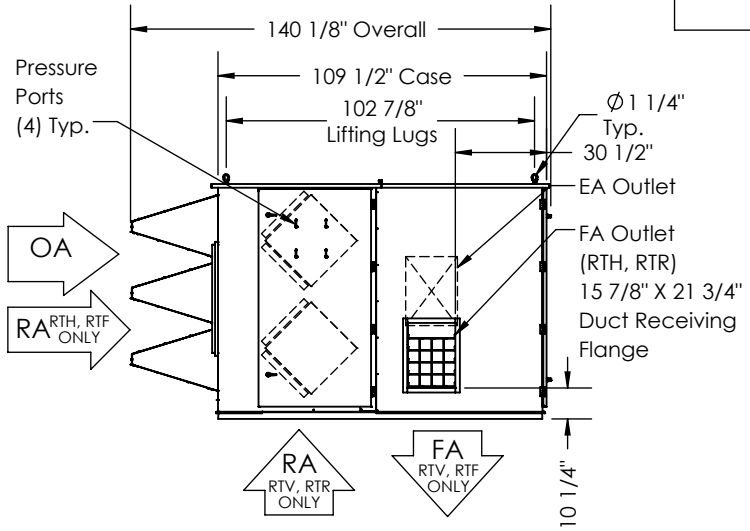
NOTE:
 1. UNLESS OTHERWISE SPECIFIED, DIMENSIONS ARE ROUNDED TO THE NEAREST EIGHTH OF AN INCH.
 2. SPECIFICATIONS MAY BE SUBJECT TO CHANGE WITHOUT NOTICE.



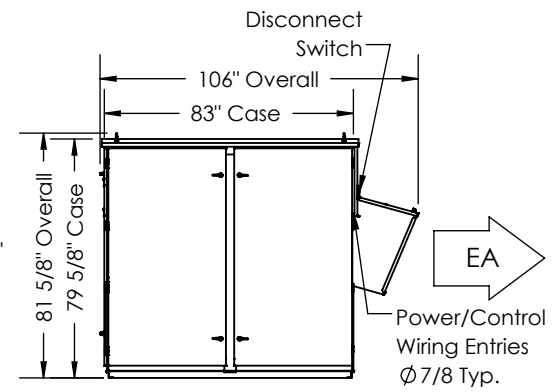
SECTION A-A



LEFT VIEW



FRONT VIEW



RIGHT VIEW

Model: HE8XRT
 Drawing Type: Unit Dimension
 Version: AUG18

