

**ABBREVIATIONS**

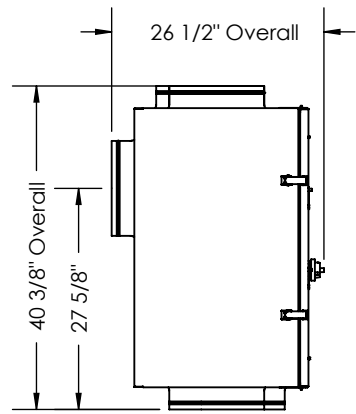
EA: Exhaust Air to Outside  
 OA: Outside Air Intake  
 RA: Room Air to be Exhausted  
 FA: Fresh Air to Inside  
 BP: Bypass Air Intake

**INSTALLATION ORIENTATION**

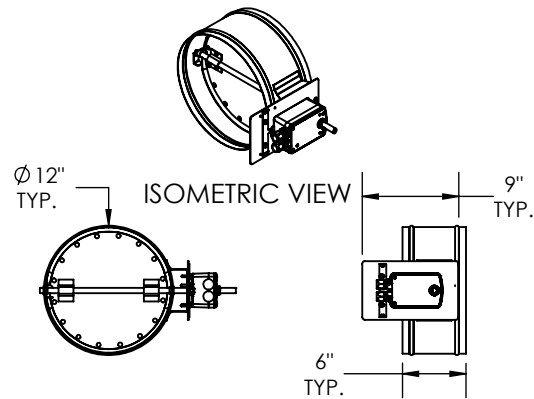
Unit may be installed in any orientation.

**NOTE**

1. UNLESS OTHERWISE SPECIFIED, DIMENSIONS ARE ROUNDED TO THE NEAREST EIGHTH OF AN INCH.
2. SPECIFICATIONS MAY BE SUBJECT TO CHANGE WITHOUT NOTICE.
3. UNITS WITH BYPASS WILL REQUIRE ADDITIONAL SPACE FOR THE CONNECTION OF THE BYPASS DUCT (BY OTHERS).
4. FOR INSTALLATION DETAILS, REFER TO I&O MANUAL SUPPLEMENT FOR BYPASS.
5. DAMPERS SHIPPED LOOSE, FIELD INSTALLATION REQUIRED

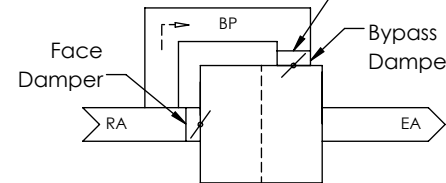


TOP VIEW

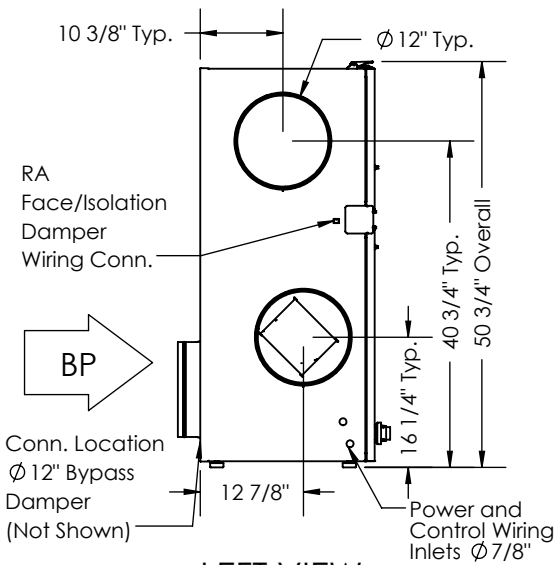


ISOMETRIC VIEW  
 FRONT VIEW (OA/RA/BP) DAMPER OPTION (QTY.3)  
 (SHIPPED LOOSE)  
 SCALE 1:18  
 RIGHT VIEW

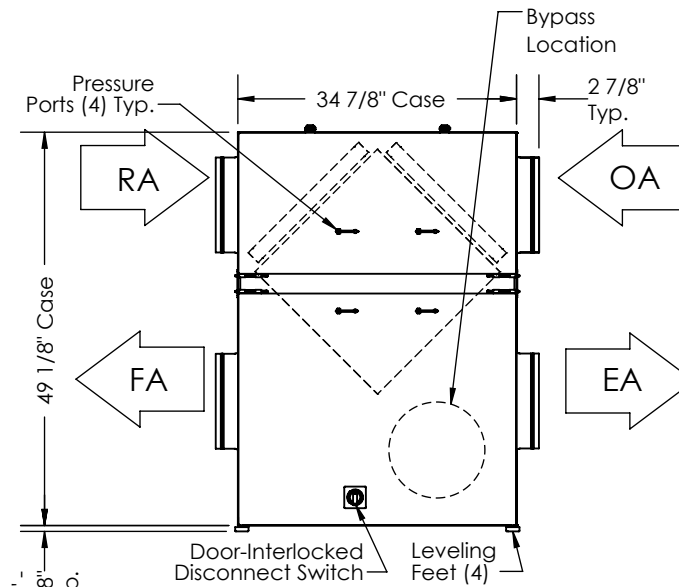
12" Round Bypass Duct Connection  
 (Direct Mount to Damper, By Others)



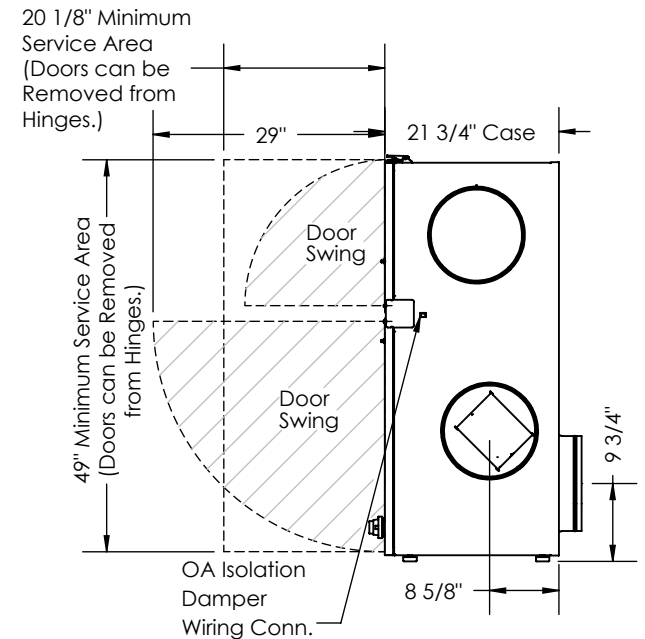
BYPASS AIRFLOW SCHEMATIC  
 TOP VIEW  
 (OA/FA Airstream Not Shown)



LEFT VIEW



FRONT VIEW



RIGHT VIEW

Model: HE1XINV [Bypass]  
 Drawing Type: Unit Dimension  
 Version: MAY18

