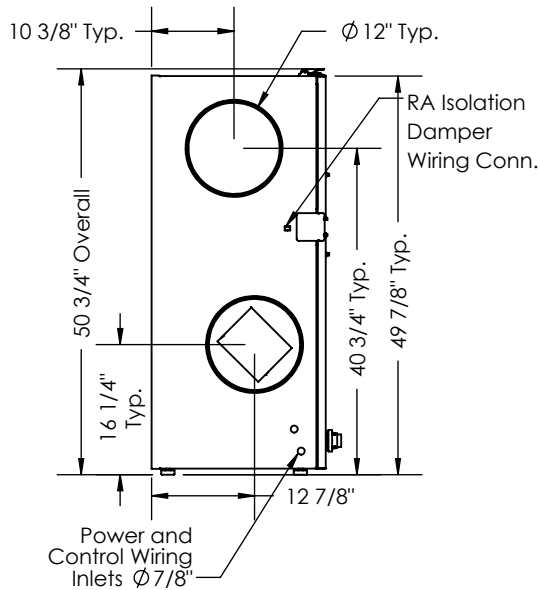
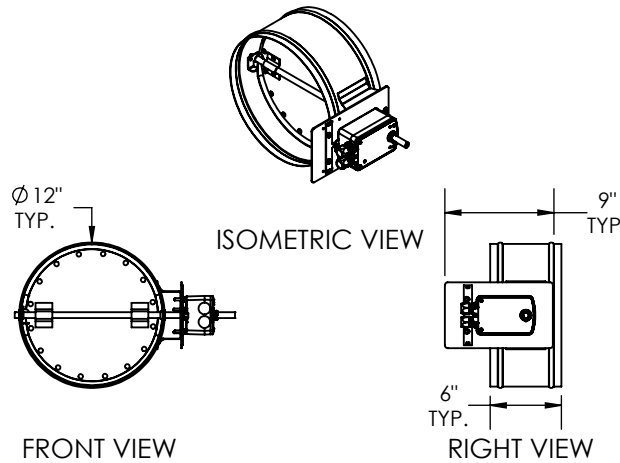


TOP VIEW



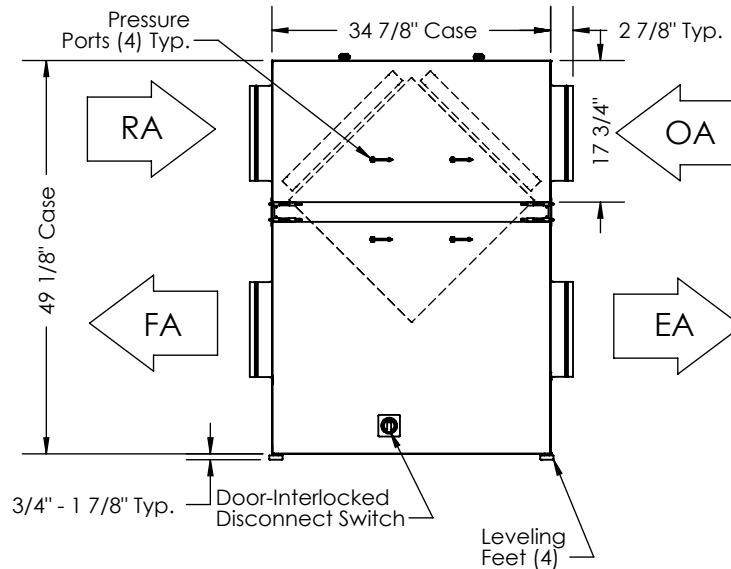
LEFT VIEW



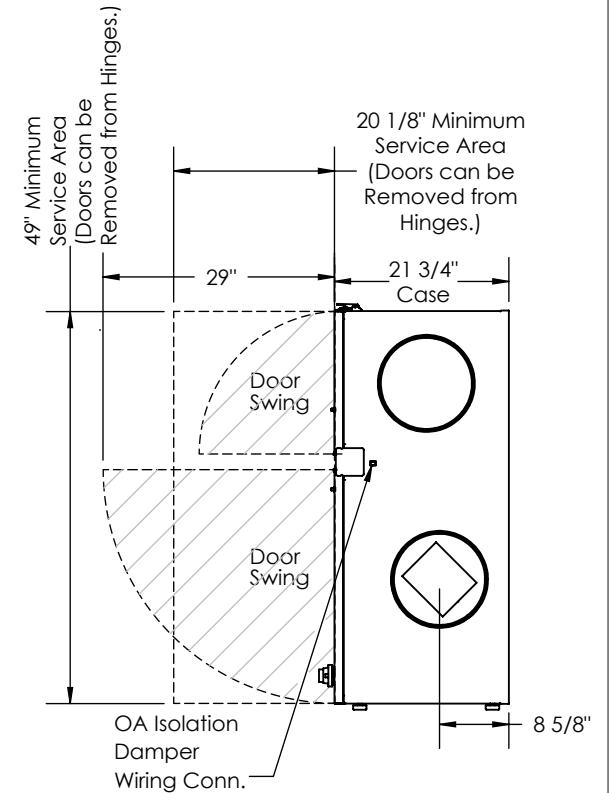
FRONT VIEW

RIGHT VIEW

(OA/RA) DAMPER OPTION (QTY. 2)
(SHIPPED LOOSE)
SCALE 1:16



FRONT VIEW



RIGHT VIEW

ABBREVIATIONS

EA: Exhaust Air to Outside
OA: Outside Air Intake
RA: Room Air to be Exhausted
FA: Fresh Air to Inside

INSTALLATION ORIENTATION

Unit may be installed in any orientation.

NOTE

1. UNLESS OTHERWISE SPECIFIED, DIMENSIONS ARE ROUNDED TO THE NEAREST EIGHTH OF AN INCH.

2. SPECIFICATIONS MAY BE SUBJECT TO CHANGE WITHOUT NOTICE.

3. DAMPERS SHIPPED LOOSE, FIELD INSTALLATION REQUIRED