

EV 90

Energy Recovery Ventilator Standard



INDOOR UNIT



Download specification at:
renewaire.com/specifications

SPECIFICATIONS

Ventilation Type:
Static plate, heat and humidity transfer

Typical Airflow Range: 40-110 CFM

Standard Features:
Painted cabinet
Line-cord power supply
Low-voltage circuit for controls
Unit may be mounted in any orientation

Control:
Onboard 24 VAC transformer/relay package
with switched dry contacts

Filters:
Total qty. 2, MERV 8, spun-polyester media:
9 5/8" x 10 1/2" x 1"

Unit Dimensions & Weight:
22 1/2" L x 11 3/4" W x 23 3/4" H
36 lbs.

Max. Shipping Dimensions & Weight (in carton):
29" L x 22" W x 15" H
40 lbs.

Motor(s):
Qty. 2, Standard motorized impeller blowers

Accessories:
Backdraft damper 6"
Wall cap 6" - white, brown
Percentage timer control (PTL)
Push-button point-of-use controls (PBL), PTL req'd.
Percentage timer control with
furnace interlock (FM)

Note: Electric Duct Heater and Indirect Gas-Fired Duct Furnace are not available on the EV90.

ELECTRICAL DATA

| HP | Volts | HZ | Phase | Input Watts | FLA |
|------|-------|----|--------|-------------|------|
| 0.03 | 120 | 60 | Single | 46 @ 90 CFM | 0.35 |

UNIT PERFORMANCE

| Airflow CFM | ESP in H ₂ O |
|-------------|-------------------------|
| 40 | 0.60 |
| 58 | 0.50 |
| 73 | 0.40 |
| 85 | 0.30 |
| 98 | 0.20 |
| 113 | 0.10 |

CORE PERFORMANCE

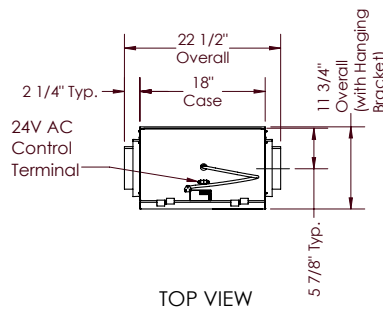
| Temp EFF% | Total EFF% Winter/Summer* |
|-----------|------------------------------|
| 84 | 74/56 |
| 80 | 69/50 |
| 77 | 65/46 |
| 74 | 62/43 |
| 71 | 59/39 |
| 68 | 56/34 |

* See HVI certification ratings on page 164 of RenewAire's Full Line Volume XVIII Catalog.

UNIT DIMENSIONS

AIRFLOW CONFIGURATION
Available as shown in dimension drawing.

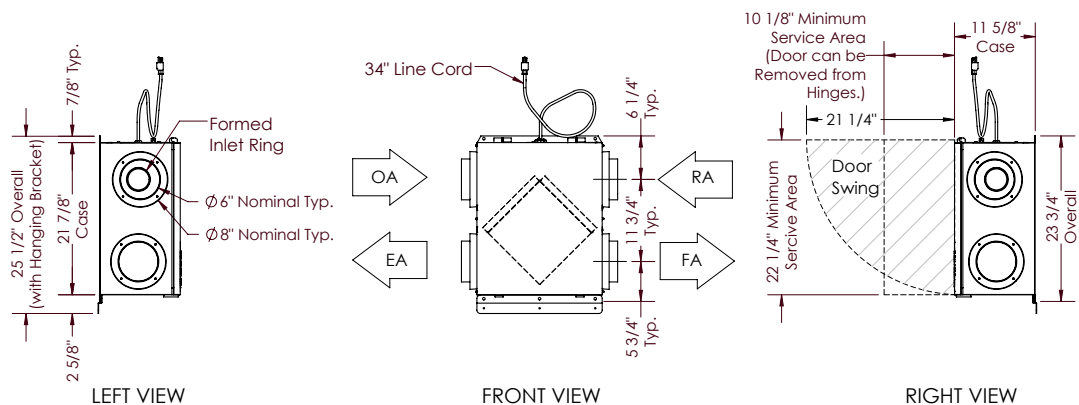
UNIT MOUNTING & APPLICATION
Can be mounted in any orientation. RA/EA airstream can be switched with OA/FA airstream.



ABBREVIATIONS
EA: Exhaust Air to outside
OA: Outside Air intake
RA: Room Air to be exhausted
FA: Fresh Air to inside

INSTALLATION ORIENTATION
Unit may be installed in any orientation.

NOTE
1. UNLESS OTHERWISE SPECIFIED, DIMENSIONS ARE ROUNDED TO THE NEAREST EIGHTH OF AN INCH.
2. SPECIFICATIONS MAY BE SUBJECT TO CHANGE WITHOUT NOTICE.



Specifications may be subject to change without notice.