

TOP VIEW

**ABBREVIATIONS**

EA: Exhaust Air to outside  
OA: Outside Air intake  
RA: Room Air to be exhausted  
SA: Supply Air to inside

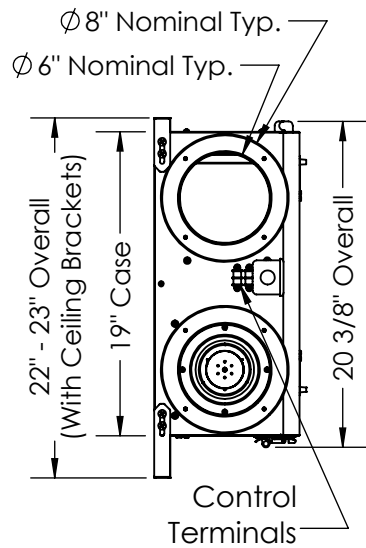
**INSTALLATION ORIENTATION**

Unit may be installed in any orientation.

**NOTE**

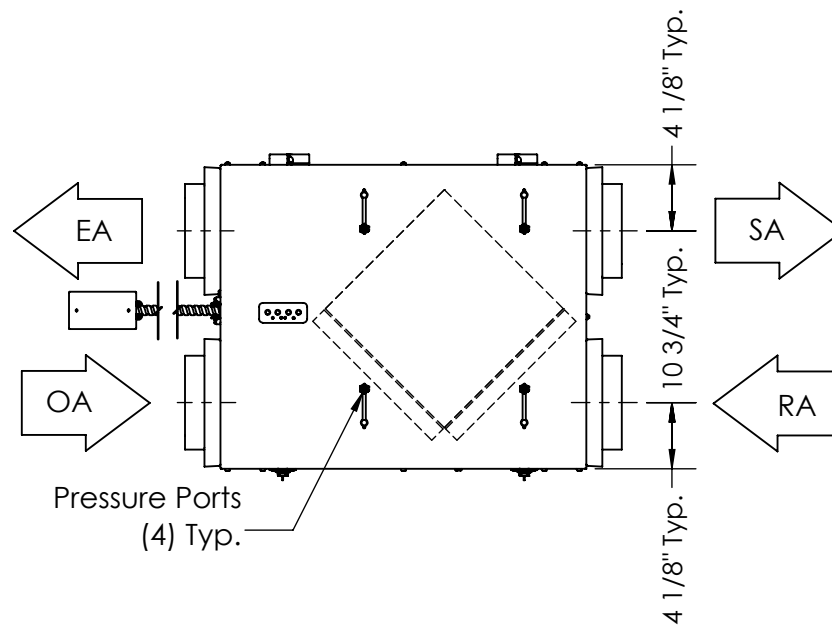
1. UNLESS OTHERWISE SPECIFIED, DIMENSIONS ARE ROUNDED TO THE NEAREST EIGHTH OF AN INCH.

2. SPECIFICATIONS MAY BE SUBJECT TO CHANGE WITHOUT NOTICE.

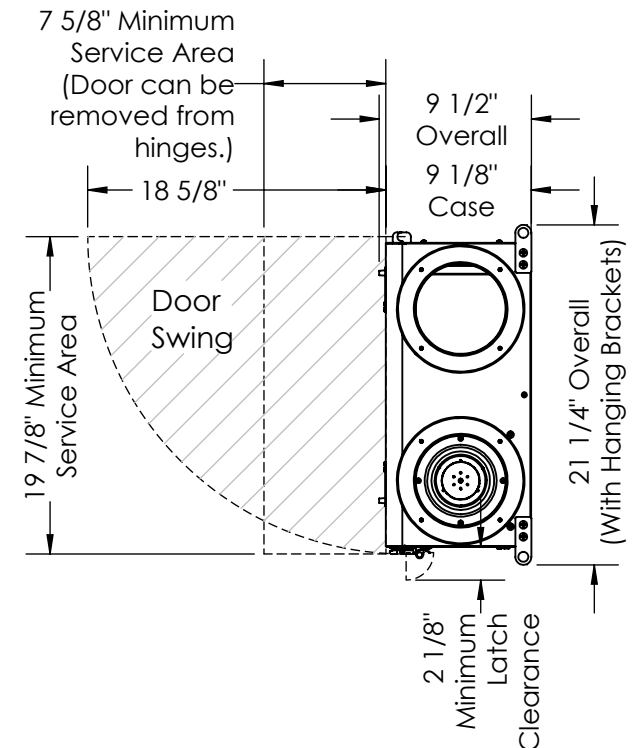


LEFT VIEW

(Hard Mount Depicted)



FRONT VIEW



RIGHT VIEW

(Hanging Mount Depicted)