

**ABBREVIATIONS**

EA: Exhaust Air to outside  
 OA: Outside Air intake  
 RA: Room Air to be exhausted  
 SA: Supply Air to inside

**INSTALLATION ORIENTATION**

Unit must be installed in orientation shown.

**NOTE**

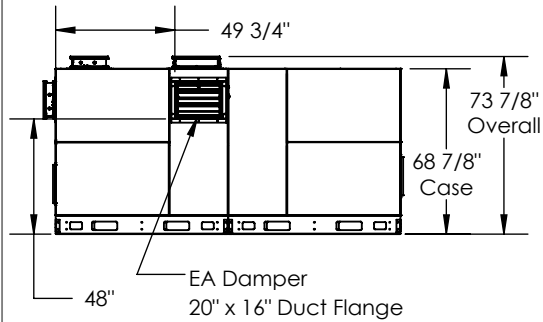
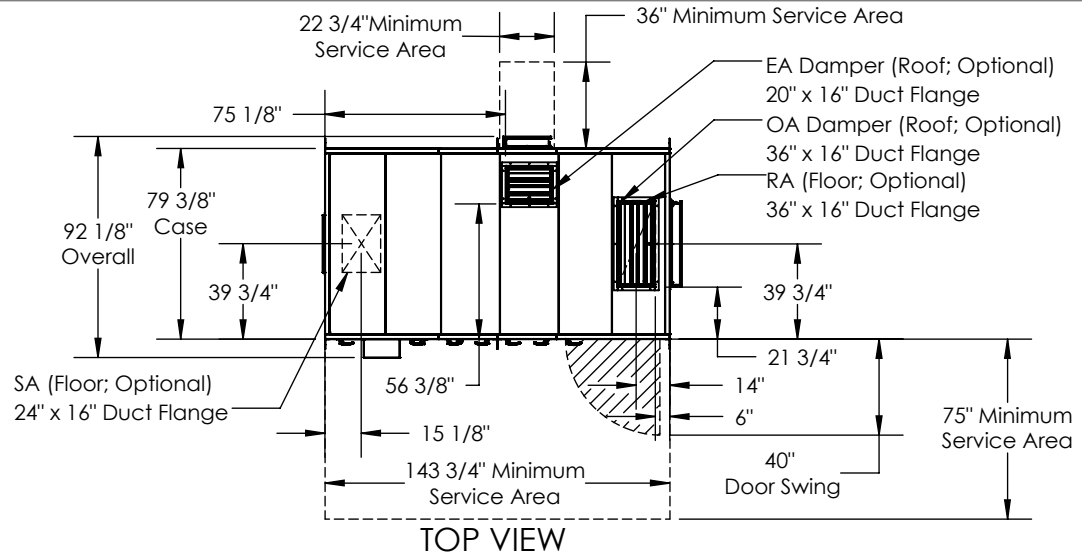
1. UNLESS OTHERWISE SPECIFIED, DIMENSIONS ARE ROUNDED TO THE NEAREST EIGHTH OF AN INCH.

2. SPECIFICATIONS MAY BE SUBJECT TO CHANGE WITHOUT NOTICE.

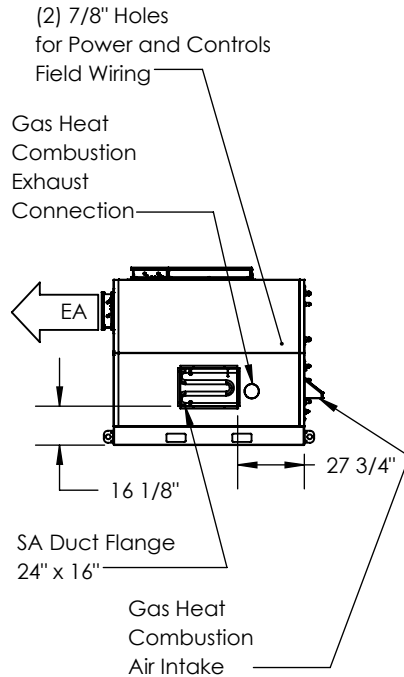
3. FOR PIPE CONNECTION DETAILS REFER TO CORES OR UNIT SELECTION SUBMITTAL.

4. UNIT, UNIT DOORS, AND COILS CANNOT BE MIRRORED.

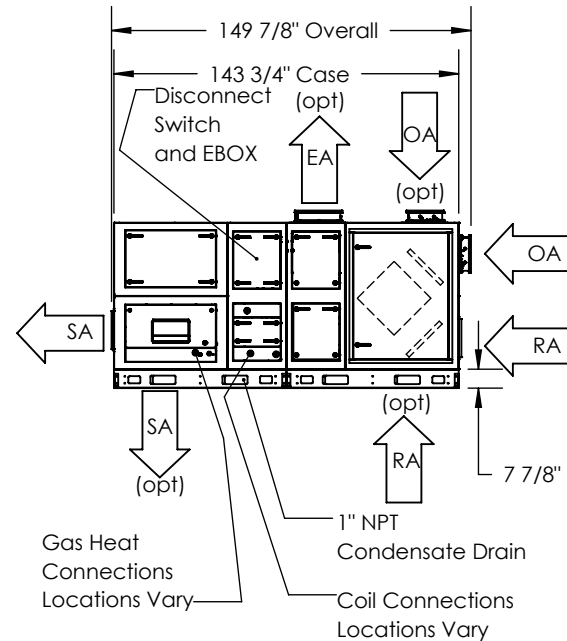
5. FOR PROJECT SPECIFIC DRAWINGS REFER TO PROJECT SUBMITTAL.



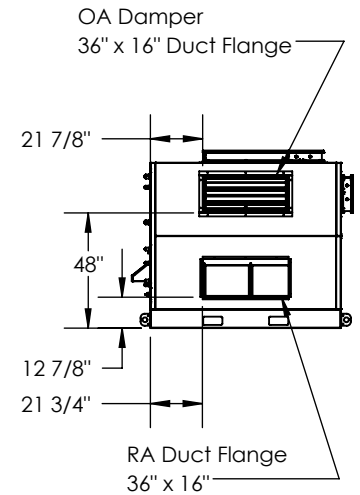
BACK VIEW



LEFT VIEW



FRONT VIEW



RIGHT VIEW

Model: DN-3JIN ERV+COIL+HEAT 2"  
 Drawing Type: Unit Dimension  
 Version: NOV18

Coil Options: DX, CW, HGRH  
 Heat Options: HW, Electric, Gas, Steam

