

**ABBREVIATIONS**

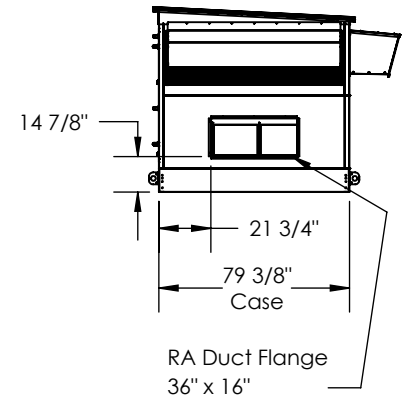
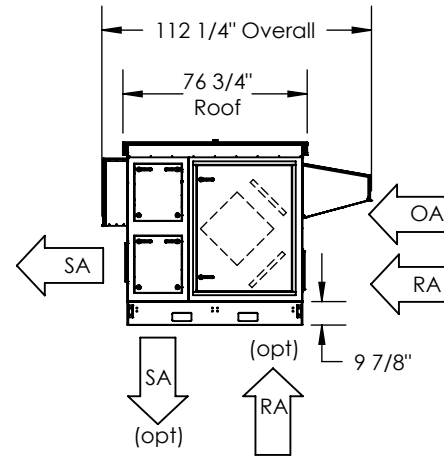
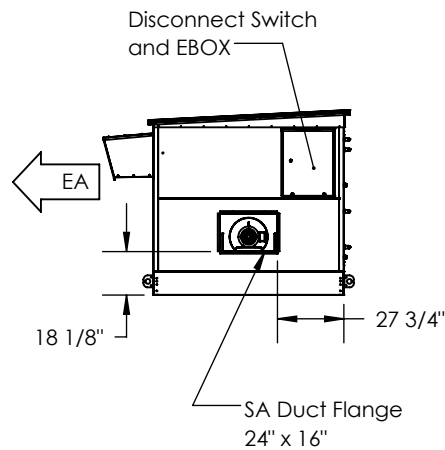
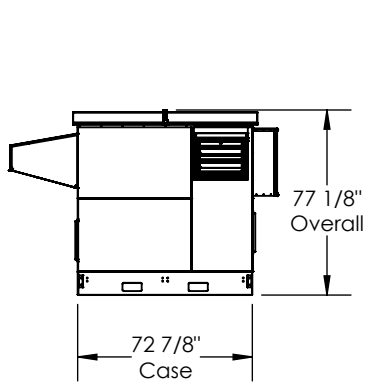
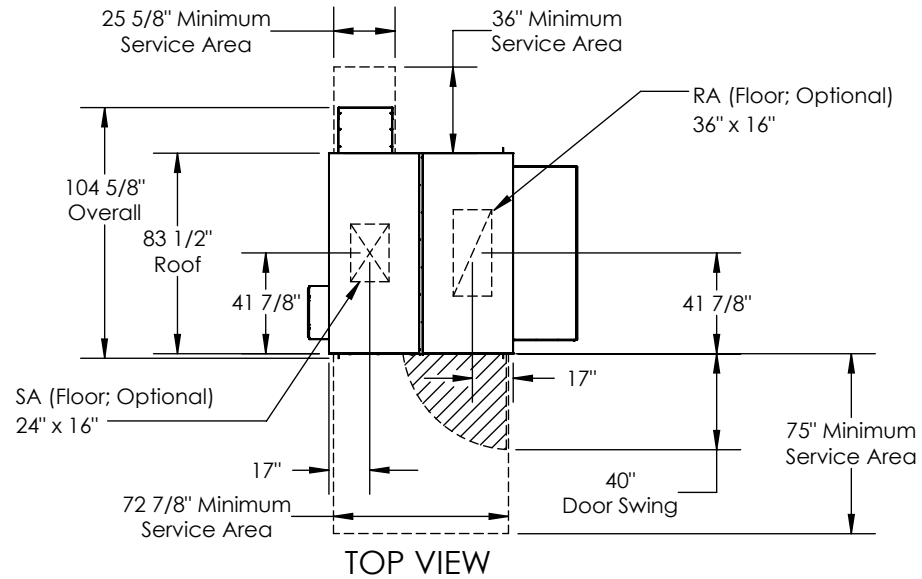
EA: Exhaust Air to outside  
 OA: Outside Air intake  
 RA: Room Air to be exhausted  
 SA: Supply Air to inside

**INSTALLATION ORIENTATION**

Unit must be installed in orientation shown.

**NOTE**

1. UNLESS OTHERWISE SPECIFIED, DIMENSIONS ARE ROUNDED TO THE NEAREST EIGHTH OF AN INCH.
2. SPECIFICATIONS MAY BE SUBJECT TO CHANGE WITHOUT NOTICE.
3. UNIT AND UNIT DOORS CANNOT BE MIRRORED.
4. FOR CURB DETAILS REFER TO CURB DRAWING.
5. FOR PROJECT SPECIFIC DRAWINGS REFER TO PROJECT SUBMITTAL.



BACK VIEW

LEFT VIEW

FRONT VIEW

RIGHT VIEW

Model: DN-3JRT ERV 2"  
 Drawing Type: Unit Dimension  
 Version: DEC18

ERV Only  
 No Coils, No Heat

