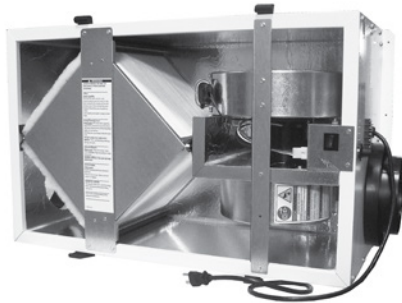


BR 130

Energy Recovery Ventilator



INDOOR UNIT
Duct Mounted or Thru-the-Wall



SPECIFICATIONS

Ventilation Type: Static plate, heat and humidity transfer
Typical Airflow Range: 50–140 CFM

Unit is HVI Tested/Certified per CSA C439 Protocol: Using one L-50-G5 Core

Standard Features:
White painted cabinet
Line-cord power supply
Built-in control
Unit may be mounted in any orientation
Cross-core differential pressure ports

Control:
Built-in proportional runtime control and switched terminals for furnace/AC interconnect

Filters:
Total qty. 2, MERV 8, spun-polyester media:
10 1/2" x 10 1/2" x 1"

Unit Weight: 48 lbs.

Max. Shipping Dimensions & Weight (in carton):
32" L x 22" W x 18" H
60 lbs.

Motor(s):
Qty. 1, Double-shaft standard motor

Accessories:
Backdraft damper: 6", 8"
Automatic balancing damper: 4", 5", 6"
Louvered wall vent 6": white, brown
Exterior thru-the-wall installation kit
Duct collar kit (two collars)
MERV 13 filter: OA airstream (shipped loose)
Electric duct heater: RH series (1–5 kW);
designed for indoor ductwork installation only

ELECTRICAL DATA

HP	Volts	Hz	Phase	Input Watts	FLA
0.1	120	60	Single	121 @ 124 CFM	1.3

UNIT PERFORMANCE

Airflow CFM	ESP in H ₂ O
51	0.70
68	0.60
93	0.50
112	0.40
131	0.30
140	0.20
148	0.10

CORE PERFORMANCE

Airflow CFM	Temp EFF%	Total EFF% Winter/Summer
51	82	78/65
68	80	75/61
93	76	71/56
112	74	68/53
131	71	65/49
140	70	63/47
148	69	62/46

Note: These are core-only ratings and are not HVI certified. Total EFF% calculated at 35/33wb OA and 70/58wb RA (winter) and 98/78wb OA and 75/63wb RA (summer). HVI ratings apply to complete units only. This unit is HVI certified. See HVI certified ratings on pg. 46 of Single/Multi-Family Catalog and at hvi.org.

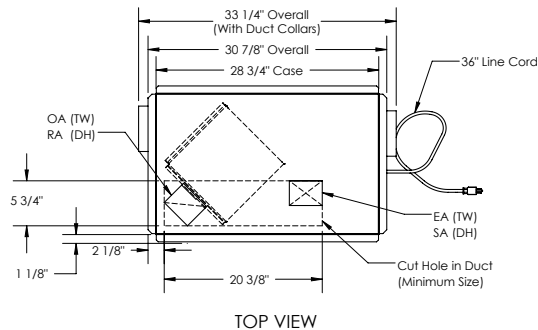
UNIT DIMENSIONS



AIRFLOW ORIENTATION
Available as shown in dimension drawing.



UNIT MOUNTING & APPLICATION
Can be mounted in any orientation. If duct-mounted, airstreams cannot be switched. If mounted with exterior Thru-the-wall installation kit, the RA/OA airstreams are switched with the OA/OA airstreams. If four ducts are connected using duct collar kit, airstreams may be switched.



ABBREVIATIONS
EA: Exhaust Air to outside
OA: Outside Air intake
RA: Room Air to be exhausted
SA: Supply Air to inside
TW: Thru Wall
DH: Duct Hung

INSTALLATION ORIENTATION
Unit may be installed in any orientation.

NOTE
1. UNLESS OTHERWISE SPECIFIED, DIMENSIONS ARE ROUNDED TO THE NEAREST EIGHTH OF AN INCH.
2. PRESSURE PORTS FOR EACH AIR STREAM ARE LOCATED ON DOOR OF UNIT.
3. SPECIFICATIONS MAY BE SUBJECT TO CHANGE WITHOUT NOTICE.

