

EV 450RT

Energy Recovery Ventilator Standard



ROOFTOP UNIT



Energy Recovery Core is AHRI Certified®



SPECIFICATIONS

Ventilation Type:

Static plate, heat and humidity transfer

Typical Airflow Range: 240-500 CFM

AHRI 1060 Certified Core: One L85-G5

Standard Features:

Non-fused disconnect
24 VAC transformer/relay package

Filters:

Total qty. 2, MERV 8: 14" x 20" x 2"

Unit Weight:

184-243 lbs., varies by option(s)

Max. Shipping Dimensions & Weight (on pallet):

96" L x 47" W x 25" H
350 lbs.

Motor(s), choice of:

Qty. 1, 0.6 HP (standard single phase)

Qty. 1, 0.5 HP (standard three phase)

Options:

Qty. 1, Variable Speed/ECM - Direct Drive Motors
(see EV450IN EC Motor submittal) -
0.5 HP, 120V/1Ph/60HZ,
0.5 HP, 208-230V/1Ph/60HZ

Fused disconnect

Integrated programmable controls -
enhanced, premium

Qty. 2, Factory mounted filter alarms -
both airstreams

Double wall construction

Exterior paint - white, custom colors

Accessories:

Filters - MERV 13, 2" (shipped loose)

Automatic balancing damper - 4", 5", 6"

Solid state speed control kit - 115V, qty. 1,
208-230V, qty. 1

RA/FA Horizontal plenum box - RTC/RTH configuration

RA/FA Vertical and horizontal plenum box
- RTR/RTF configuration

Rooftop adapter transition paint - white, custom colors

Roof curb - standard 14"

Curb wind clip

Engineered combo curb for Carrier RTU

Engineered combo curb for Trane RTU

Digital time clock - wall mount (TC7D-W),
in exterior enclosure (TC7D-E)

Carbon dioxide sensor/control -

wall mount (CO2-W), duct mount (CO2-D)

IAQ sensor - wall mount (IAQ-W),

duct mount (IAQ-D)

Motion occupancy sensor/control -

ceiling mount (MC-C), wall mount (MC-W)

Smoke detector - duct mount (SD-D)

Electric duct heater - EK series (1-175 kW);

designed for indoor ductwork installation only

Note: Indirect Gas-Fired Duct Furnace is not available on the EV450RT.

ELECTRICAL DATA

HP	Volts	HZ	Phase	FLA	Min. Cir. Amps	Max. Overcurrent Protection Device
0.6	120	60	Single	7.2	9.0	15
0.6	208-230	60	Single	3.9-3.6	4.9	15
0.6	277	60	Single	3.5	4.4	15
0.5	208-230	60	Three	1.7-1.5	2.1	15
0.5	460	60	Three	0.8	1.0	15

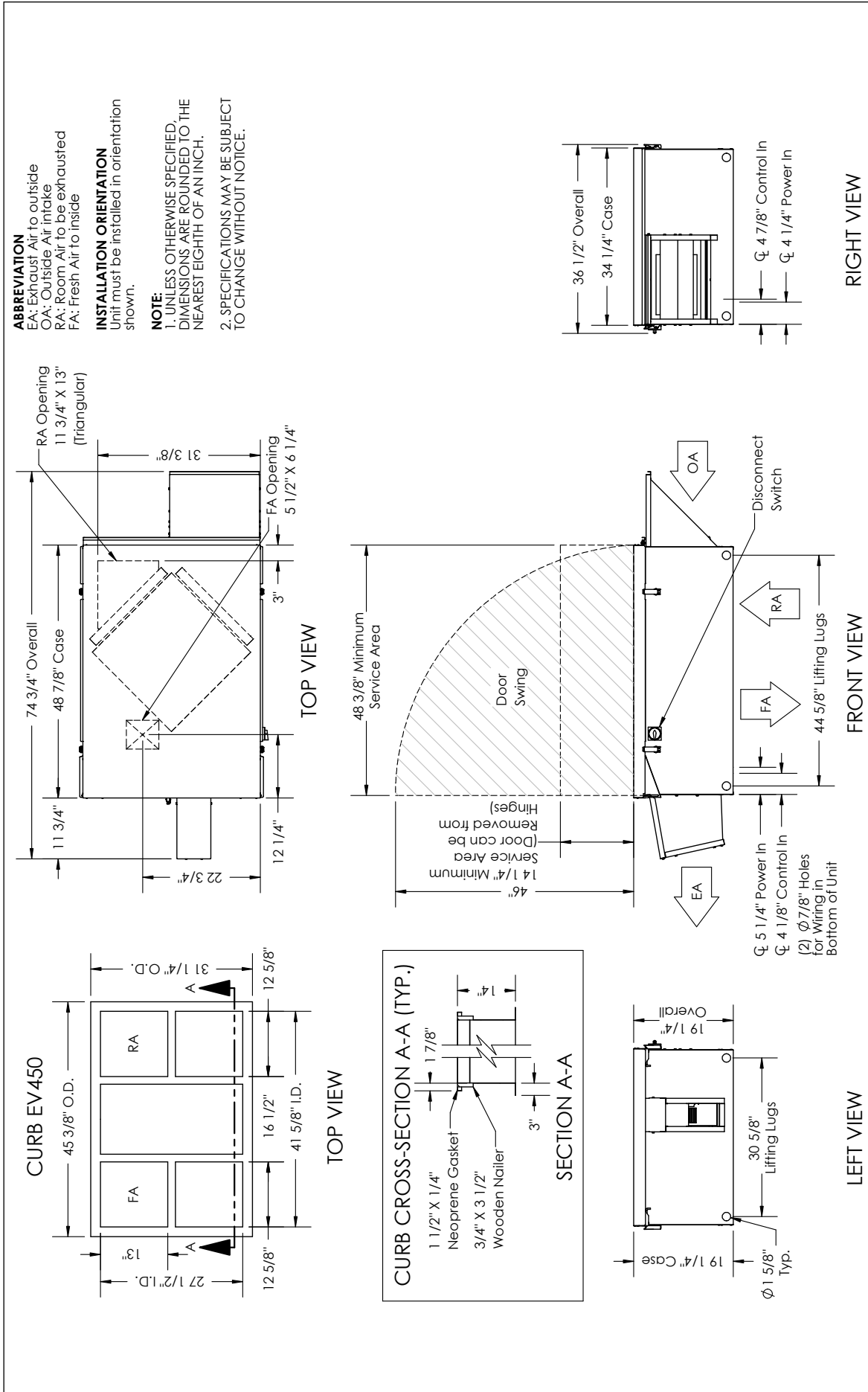
UNIT PERFORMANCE

Airflow CFM	ESP in H ₂ O	Watts	
		1P	3P
240	1.00	425	243
375	0.75	493	341
450	0.50	534	412
500	0.25	563	461
550	0.00	593	516

Note: Watts is for the entire unit.

Note: Airflow performance includes effect of clean, standard filter supplied with unit.

EV450RT Energy Recovery Ventilator Standard



AIRFLOW CONFIGURATION
 Available as shown in dimension drawing.



UNIT MOUNTING & APPLICATION
 Must be mounted as shown. Airstreams can not be switched. Rooftop adapter accessories can be used to provide RTR and RTF (45RTRF) or RTH and RTC (45RTRCH) airflow.



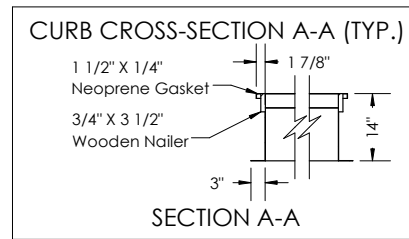
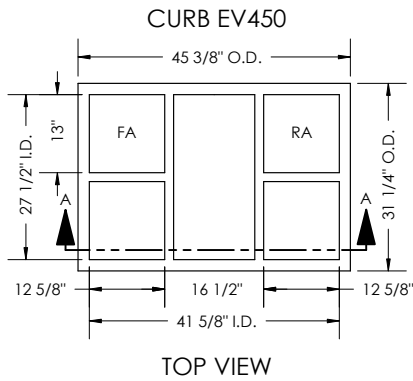
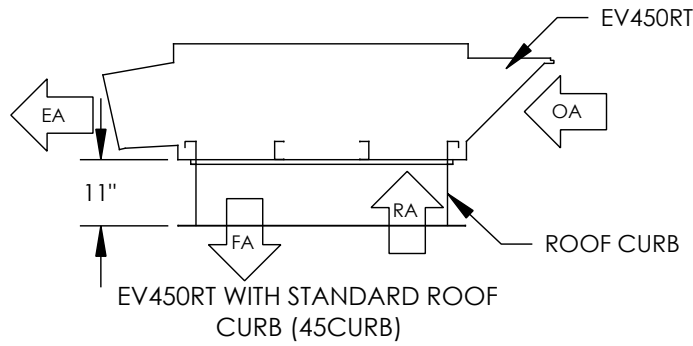
450RT

Energy Recovery Ventilator
Standard or EC Motor Option

DUCTING ACCESSORIES

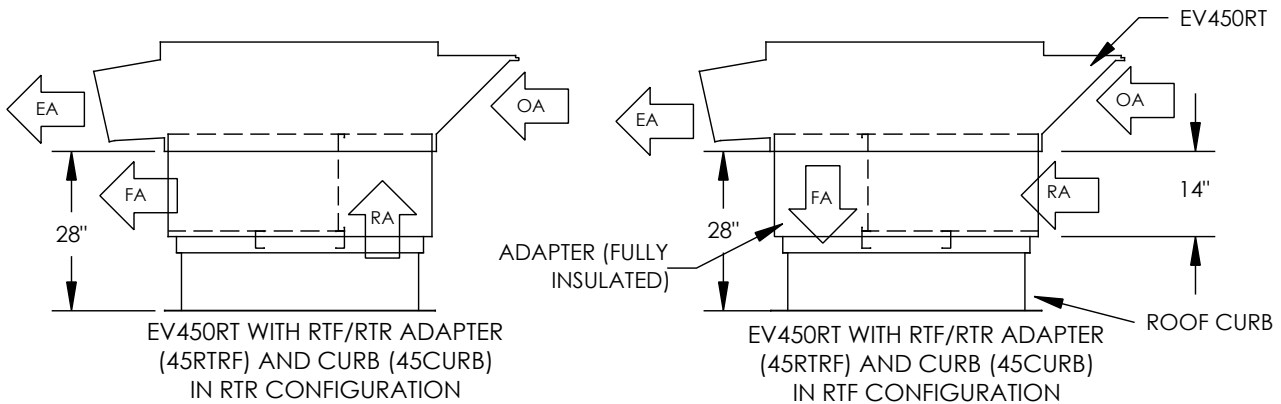
Rooftop Curb (45Curb)

Standard roof curb shown (available option).



Rooftop Adapter for RTR and RTF Orientations

For horizontal connection of either the Fresh Air duct or the Return Air duct, stack the optional RTF/RTR Adapter on the standard roof curb. Duct openings to be field cut into adapter. Opening location and size is flexible.





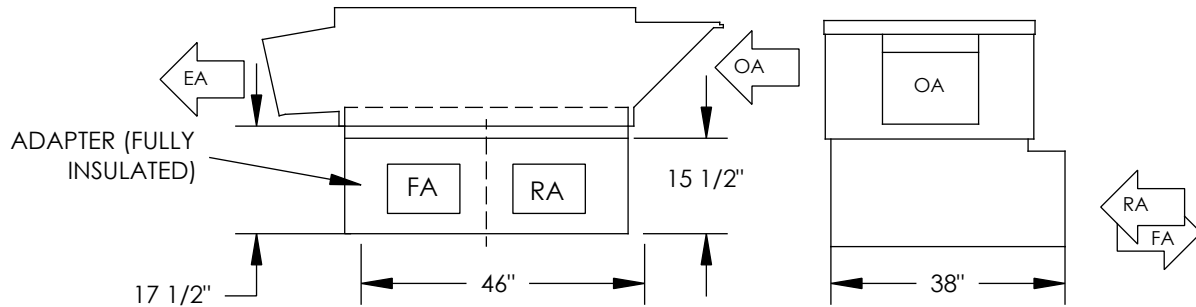
450RT

Energy Recovery Ventilator
Standard or EC Motor Option

DUCTING ACCESSORIES

Rooftop Adapter for RTC and RTH Orientations

The RTH/RTC Adapter allows horizontal connection of both the Fresh Air and the Return Air ducts. It is also possible to connect the adapter directly to the return plenum of most rooftop units (openings must be cut into RTU). Duct openings to be field cut into adapter. Opening location and size is flexible.



EV450RT WITH ADAPTER (45RTCH)

ABBREVIATIONS

- EA:** Exhaust Air to outdoors
- OA:** Outdoor Air intake
- RA:** Room Air to be exhausted
- FA:** Fresh Air to inside