

# EV 90

INDOOR UNIT

## Energy Recovery Ventilator



### SPECIFICATIONS

**Ventilation Type:**  
Static plate, heat and humidity transfer

**Typical Airflow Range:** 40–110 CFM

**Unit is HVI Tested/Certified per CSA C439**  
**Protocol:** Using one L-35-G5 Core

**Standard Features:**  
White painted cabinet  
Line-cord power supply  
Low-voltage circuit for controls  
Unit may be mounted in any orientation  
Cross-core differential pressure ports

**Control:**  
Onboard 24VAC transformer/relay package

**Filters:**  
Total qty. 2, MERV 8, spun-polyester media:  
9 5/8" x 10 1/2" x 1"

**Unit Weight:** 36 lbs.

**Max. Shipping Dimensions & Weight (in carton):**  
29" L x 22" W x 15" H  
40 lbs.

**Motor(s):**  
Qty. 2, Standard motorized impeller blowers

**Accessories:**  
Backdraft damper: 6", 8"  
Automatic balancing damper: 4", 5", 6"  
Louvered wall vent 6": white, brown  
Digital time clock: wall mount (TC7D-W),  
in exterior enclosure (TC7D-E)  
Carbon dioxide sensor/control: wall mount (CO2-W),  
duct mount (CO2-D)  
IAQ sensor: wall mount (IAQ-W), duct mount (IAQ-D)  
Motion occupancy sensor/control:  
ceiling mount (MC-C), wall mount (MC-W)  
Percentage timer control (PTL)  
Push-button point-of-use controls (PBL), PTL req'd.  
Percentage timer control with furnace interlock (FM)  
MERV 13 filter: OA airstream (shipped loose)  
Electric duct heater: RH series (1–3 kW);  
designed for indoor ductwork installation only

### ELECTRICAL DATA

HP	Volts	Hz	Phase	Input Watts	FLA
0.03	120	60	Single	46 @ 90 CFM	0.35

### UNIT PERFORMANCE

Airflow CFM	ESP in H <sub>2</sub> O
36	0.60
53	0.50
68	0.40
81	0.30
93	0.20
108	0.10

### CORE PERFORMANCE

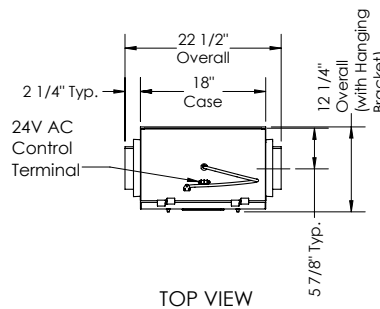
Airflow CFM	Temp EFF%	Total EFF% Winter/Summer
36	78	75/65
53	74	69/58
68	70	65/53
81	67	61/49
93	64	58/45
108	61	55/42

**Note:** These are core-only ratings and are not HVI certified. Total EFF% calculated at 35/33wb OA and 70/58wb RA (winter) and 98/78wb OA and 75/63wb RA (summer). HVI ratings apply to complete units only. This unit is HVI certified. See HVI certified ratings on pg. 46 of Single/Multi-Family Catalog and at hvi.org.

### UNIT DIMENSIONS

**AIRFLOW ORIENTATION**  
Available as shown in dimension drawing.

**UNIT MOUNTING & APPLICATION**  
Can be mounted in any orientation. RA/EA airstream can be switched with OA/SA airstream.



**ABBREVIATIONS**  
EA: Exhaust Air to outside  
OA: Outside Air intake  
RA: Room Air to be exhausted  
SA: Supply Air to inside

**INSTALLATION ORIENTATION**  
Unit may be installed in any orientation.

**NOTE**  
1. UNLESS OTHERWISE SPECIFIED, DIMENSIONS ARE ROUNDED TO THE NEAREST EIGHTH OF AN INCH.

2. SPECIFICATIONS MAY BE SUBJECT TO CHANGE WITHOUT NOTICE.

