



OUTDOOR Indirect Gas-Fired Duct Furnace Accessory



ROOFTOP Indirect Gas-Fired Duct Furnace



Rooftop RT-NO shown

SPECIFICATIONS

Heater Type:
Indirect Gas-Fired Duct Furnace

Typical Input Capacity (MBH):
50, 75, 100, 125, 150, 175, 200, 250, 300, 350, 400

Standard Features:
Tubular heaters
Indirect natural gas fired
Outdoor installation
80% thermal efficiency
Horizontal airflow
Rated for elevations from 0 – 2,000 ft.
409 stainless steel heat exchanger
409 stainless steel burners
Flue/combustion air – outdoor models
Horizontal separated outdoor with hoods
Vertical top exhaust with intake hood
Direct spark ignition
1-stage/2-stage gas controls
Induced draft venting
Terminal block for power and control wiring
Automatic high limit safety shut-off
Auxiliary manual high limit switch
Combustion air pressure switch
Air proving switch

Standard Features (continued):
Combination gas valve with shutoff
Flame rollout switch
Manual shut off valve
3/8" condensate drain connection

Voltages & Phase:
Single phase - 120V, 208V, 230V

Control Voltage:
24 VAC

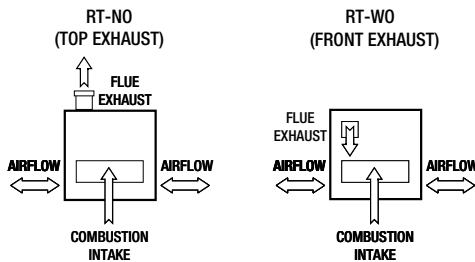
Dimensions:
See table 1

Shipping:
Shipped loose with base unit and installed in the field

Options:
Indirect propane fired fuel
Elevation correction for elevation > 2,000 ft.
304 stainless steel heat exchanger
5:1 continuous electronic modulation for all furnaces
10:1 continuous electronic modulation for furnaces 200 MBH and larger
Duct thermostat for modulation control
Disconnect switch
Power fusing

Accessory:
Duct thermostat for 2-stage control
Duct thermostat for modulation control
Duct curb

FLUE AND COMBUSTION AIR CONFIGURATION



Caution: All indirect gas-fired duct furnaces to be installed downstream of the ERV and on the positive side of the supply fan.

TEMPERATURE RISE AND PRESSURE DROP

FIGURE 1 GAS FURNACE 50-200 MBH

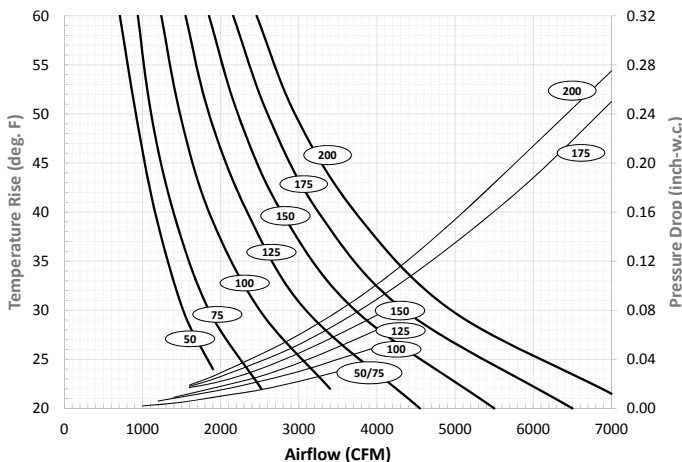
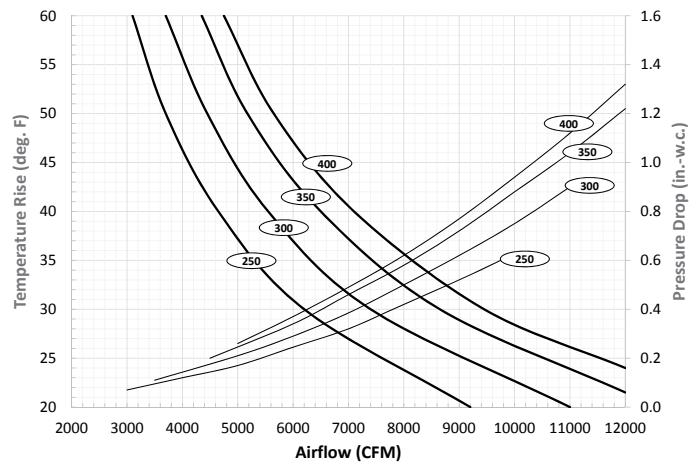


FIGURE 2 GAS FURNACE 250-400 MBH



DUCT FURNACE DIMENSIONS

FIGURE 3 RT-NO (TOP EXHAUST OUTDOOR)

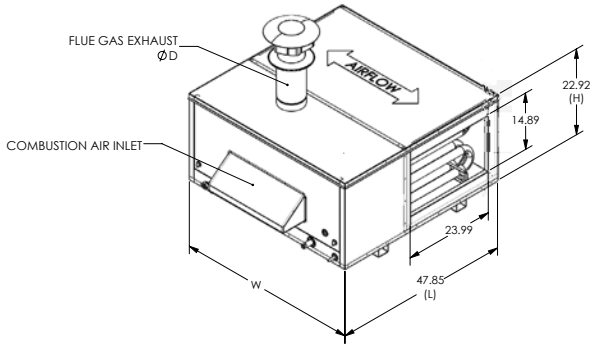


FIGURE 4 RT-WO (FRONT EXHAUST OUTDOOR)

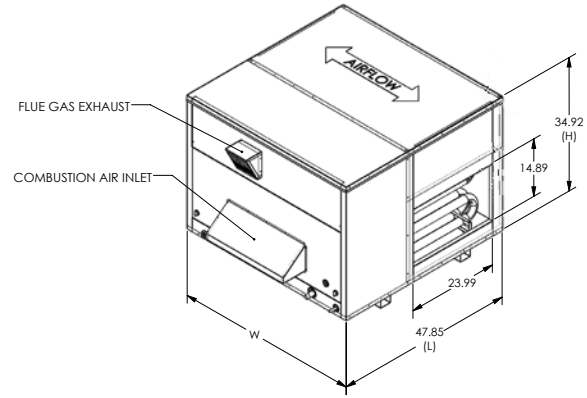
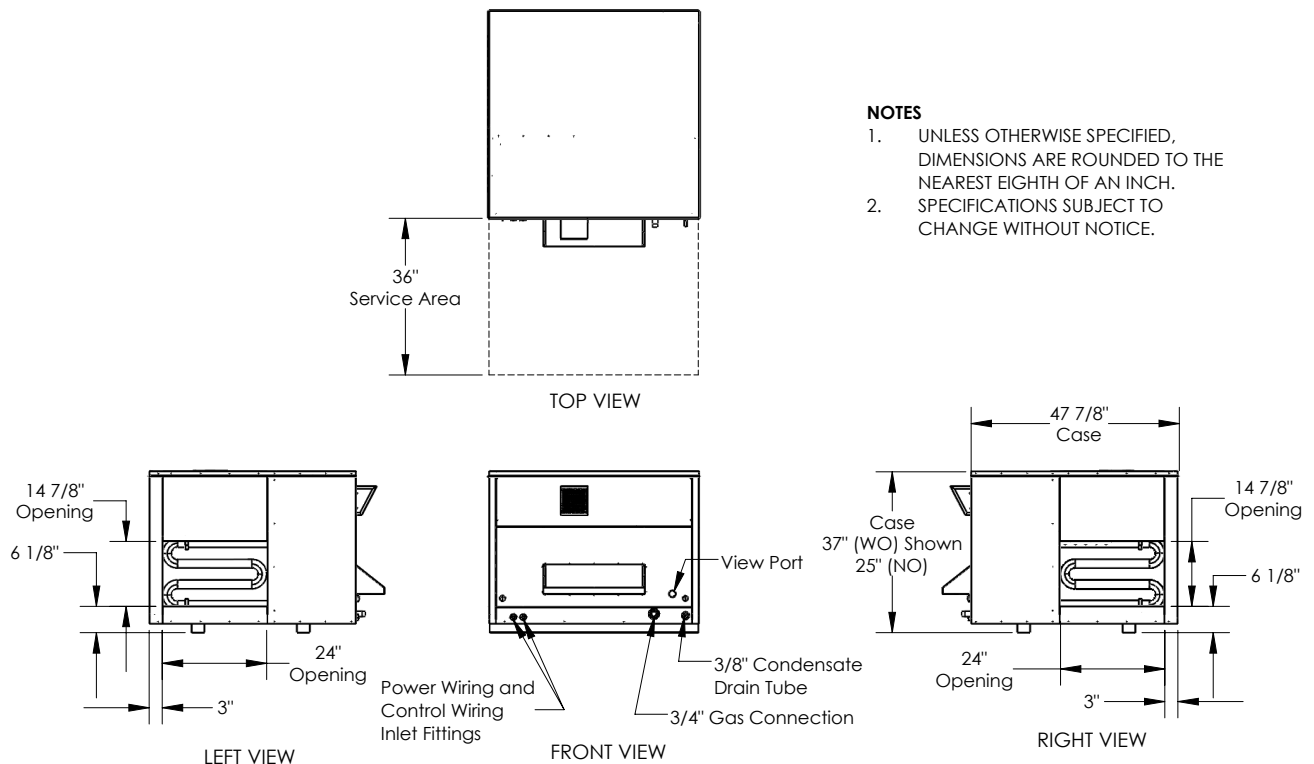


TABLE 1

Size	Tubes	Input Rate	Output	Min/Max Temperature Rise through Furnace (°F)								Vent Locations				Unit Weight	Shipping Weight		
				20	25	30	35	40	45	50	55	60	RT-NO, RT-WO	RT-NO	RT-WO			Diameter	
MBH	Qty.	BTUh	BTUh	Nom. Duct Opening Airflow (CFM)								inch	inch	inch	inch	inch	lb	lb	
50	3	50,000	40,000	1852	1481	1235	1058	926	823	741	673	617	15.7	47.8	22.9	34.9	5	127	207
75	3	75,000	60,000	2778	2222	1852	1587	1389	1235	1111	1010	926	15.7					127	207
100	4	100,000	80,000	3704	2963	2469	2116	1852	1646	1481	1347	1235	18.4					142	222
125	5	125,000	100,000	4630	3704	3086	2646	2315	2058	1852	1684	1543	21.2					169	249
150	6	150,000	120,000	5556	4444	3704	3175	2778	2469	2222	2020	1852	23.9					160	240
175	7	175,000	140,000	6481	5185	4321	3704	3241	2881	2593	2357	2160	26.7				180	260	
200	8	200,000	160,000	7407	5926	4938	4233	3704	3292	2963	2694	2469	29.4				196	276	
250	10	250,000	200,000	9259	7407	6173	5291	4630	4115	3704	3367	3086	34.9				6	245	325
300	12	300,000	240,000	11111	8889	7407	6349	5556	4938	4444	4040	3704	40.4					279	384
350	14	350,000	280,000	12963	10370	8642	7407	6481	5761	5185	4714	4321	45.9					324	429
400	15	400,000	320,000	14815	11852	9877	8466	7407	6584	5926	5387	4938	48.7	394	499				

Note: For a single furnace, 20° F minimum temperature rise, 60° F maximum temperature rise.

INDIRECT GAS-FIRED DUCT FURNACE DIMENSIONS



NOTES

- UNLESS OTHERWISE SPECIFIED, DIMENSIONS ARE ROUNDED TO THE NEAREST EIGHTH OF AN INCH.
- SPECIFICATIONS SUBJECT TO CHANGE WITHOUT NOTICE.