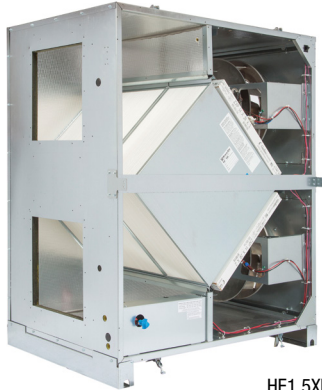


HE 1.5XINV

ENERGY RECOVERY VENTILATOR EC MOTOR OPTION



INDOOR UNIT



HE1.5XINV shown

Energy recovery core is AHRI Certified®



SPECIFICATIONS

Ventilation Type:

Static plate, heat and humidity transfer

Airflow Range: 375–1,470 CFM

AHRI 1060 Certified Core:

One L62-G5 and one L125-G5

Standard Features:

Non-fused disconnect
24VAC transformer/relay package
Cross-core differential pressure ports

Filters:

Total qty. 4, MERV 8: (2) 14" x 20" x 2" and
(2) 16" x 20" x 2"

Unit Weight:

336–504 lbs., varies by option(s)

Max. Shipping Dimensions & Weight (on pallet):

70" L x 47" W x 59" H
571 lbs.

Motor(s):

Qty. 2, 1.0 HP ea., Direct drive EC motorized impellers

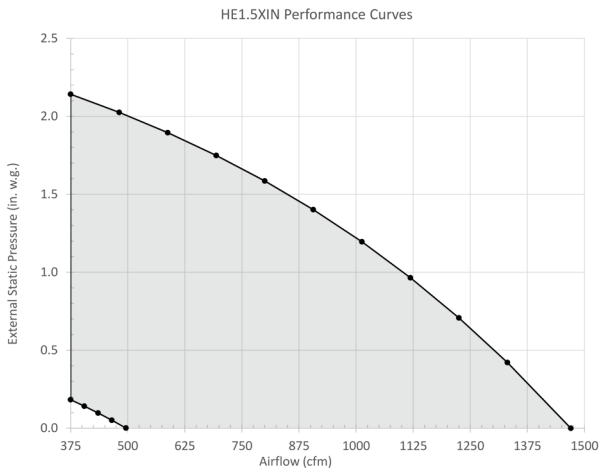
Options:

Fused disconnect
Integrated programmable controls: enhanced, premium
Bypass economizer damper (see DIM drawing):
dry-bulb temperature controls (standard),
enthalpy controls (option)
Class 1 low leakage motorized isolation dampers:
FA, EA or both airstreams
Gravity backdraft dampers
Factory mounted filter alarms: both airstreams
Double wall construction
Exterior paint: white, custom colors

Accessories:

Filters: MERV 13, 2" (shipped loose)
Backdraft damper: OA or EA
Automatic balancing damper: 4", 5", 6"
Potentiometer speed control: remote installed
Digital time clock: wall mount (TC7D-W),
in exterior enclosure (TC7D-E)
Carbon dioxide sensor/control:
wall mount (CO2-W), duct mount (CO2-D)
IAQ sensor: wall mount (IAQ-W), duct mount (IAQ-D)
Motion occupancy sensor/control:
ceiling mount (MC-C), wall mount (MC-W)
Smoke detector: duct mount (SD-D)
Indoor electric duct heater: EK series (1–175 kW)
Indirect gas-fired duct furnace: GH series (50–400 MBH);
installed downstream of any fans

EC MOTOR OPERATING RANGE AND FAN PERFORMANCE



Airflow (CFM)	External Static Pressure (Inches Water Column)	Unit Power Consumption (Watts)
375	2.14	710
481	2.03	765
588	1.90	814
694	1.75	859
800	1.59	899
906	1.40	933
1013	1.20	963
1119	0.97	987
1225	0.71	1006
1331	0.42	1019
1470	0.00	1029

Note: Watts is for the entire unit. Airflow performance includes effect of clean, standard filter supplied with unit.

ELECTRICAL DATA

Watts	Volts	Hz	Phase	FLA per motor	Min. Cir. Amps	Max. Overcurrent Protection Device
480	120	60	Single	6.7	15.1	20
480	208–230	60	Single	3.4	7.7	15



AUGMENTED REALITY (AR)

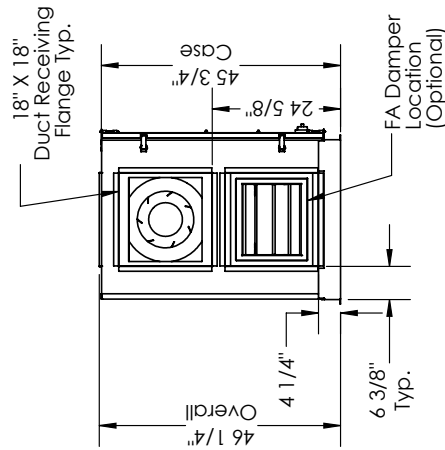
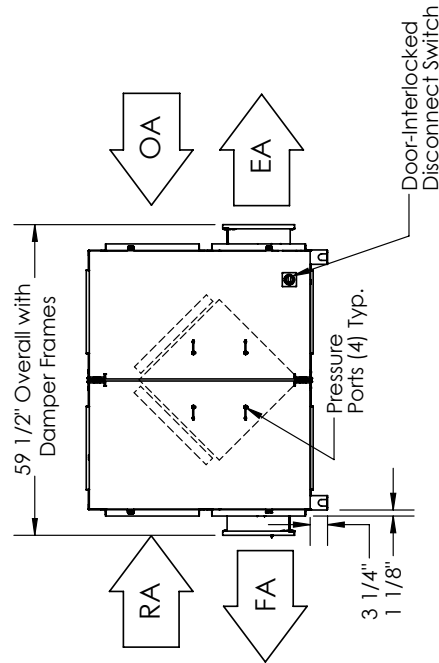
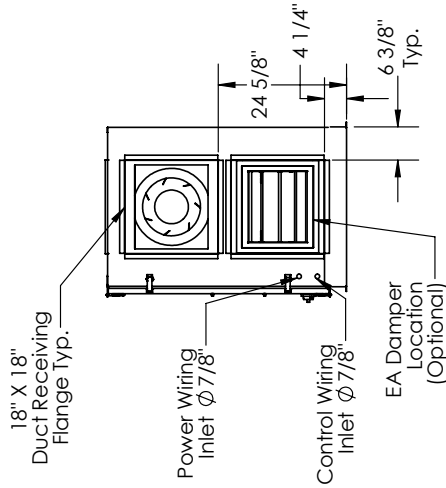
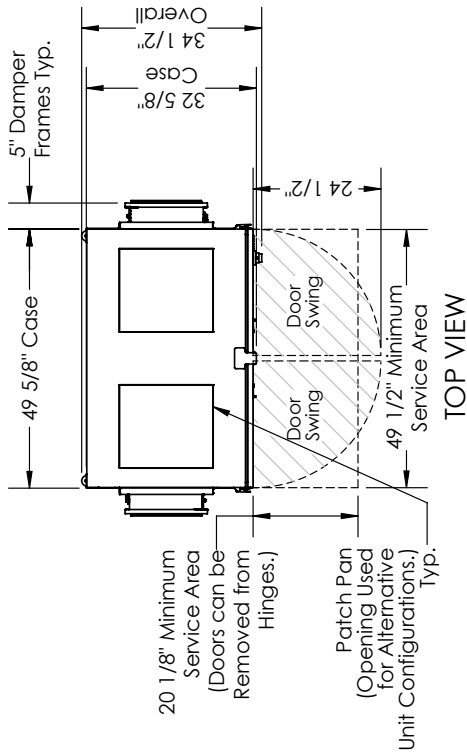
Scan QR code to see life size version of HE1.5X, or view here: <https://qr.marketscale.com/he15x>

HE1.5XINV ENERGY RECOVERY VENTILATOR EC MOTOR OPTION

ABBREVIATIONS
 EA: Exhaust Air to outside
 OA: Outside Air Intake
 RA: Room Air to be exhausted
 FA: Fresh Air to inside

INSTALLATION ORIENTATION
 Unit may be installed in any orientation.

NOTE
 1. UNLESS OTHERWISE SPECIFIED, DIMENSIONS ARE ROUNDED TO THE NEAREST EIGHTH OF AN INCH.
 2. SPECIFICATIONS MAY BE SUBJECT TO CHANGE WITHOUT NOTICE.
 3. MIN. DUCT CLEARANCE FROM DAMPER BLADE WHEN FULLY OPENED TO BE 2". SMACNA RULES APPLY.



RIGHT VIEW

FRONT VIEW

LEFT VIEW

UNIT MOUNTING & APPLICATION
 Can be mounted in any orientation. RA/EA airstream can be switched with OA/FA airstream unless certain options are selected. Duct configuration is field convertible.



AIRFLOW CONFIGURATION
 Available as shown in dimension drawing.

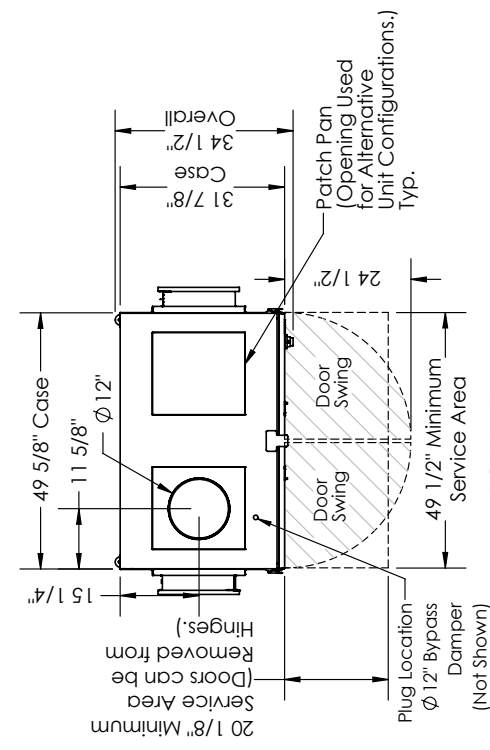


HE1.5XINV ENERGY RECOVERY VENTILATOR EC MOTOR WITH BYPASS ECONOMIZER

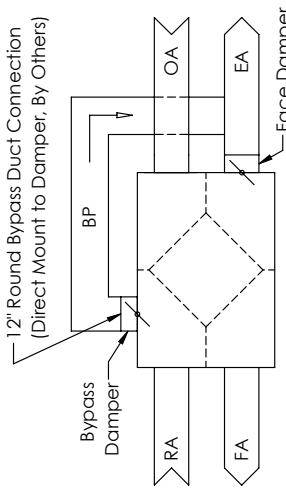
ABBREVIATIONS
 EA: Exhaust Air to outside
 OA: Outside Air intake
 RA: Room Air to be exhausted
 FA: Fresh Air to inside
 BP: Bypass Air outlet

INSTALLATION ORIENTATION
 Unit may be installed in any orientation.

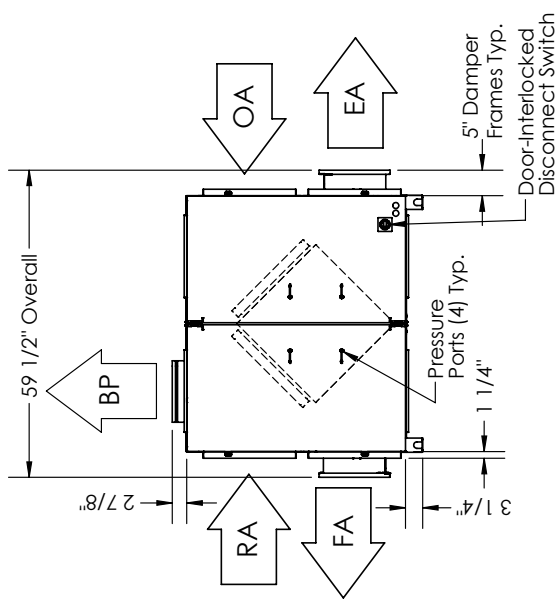
- NOTE**
1. UNLESS OTHERWISE SPECIFIED, DIMENSIONS ARE ROUNDED TO THE NEAREST EIGHTH OF AN INCH.
 2. SPECIFICATIONS MAY BE SUBJECT TO CHANGE WITHOUT NOTICE.
 3. MIN. DUCT CLEARANCE FROM DAMPER BLADE WHEN FULLY OPENED TO BE 2". SMACNA RULES APPLY.
 4. UNITS WITH BYPASS WILL REQUIRE ADDITIONAL SPACE FOR THE CONNECTION OF THE BYPASS DUCT (BY OTHERS).
 5. FOR INSTALLATION DETAILS, REFER TO I&O MANUAL SUPPLEMENT FOR BYPASS.



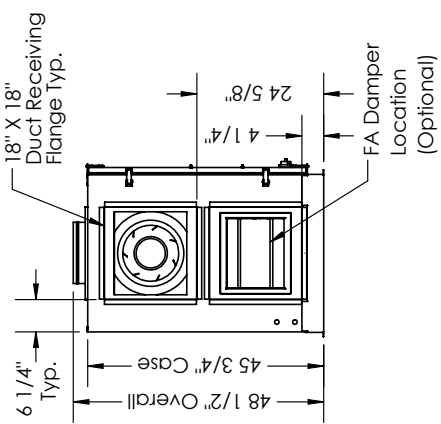
TOP VIEW



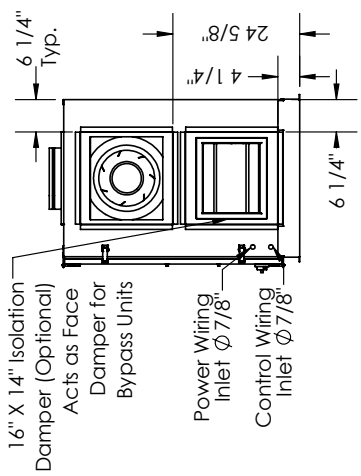
BYPASS AIRFLOW SCHEMATIC FRONT VIEW



FRONT VIEW



LEFT VIEW



RIGHT VIEW

AIRFLOW CONFIGURATION
 Available as shown in dimension drawing.

UNIT MOUNTING & APPLICATION
 Can be mounted in any orientation. Airstreams cannot be switched.

