



Energy Recovery Ventilator  
Standard with Bypass Economizer



INDOOR UNIT



Energy Recovery Core is AHRI Certified®



SPECIFICATIONS

**Ventilation Type:**

Static plate, heat and humidity transfer

**Typical Airflow Range:** 500-2,200 CFM

**AHRI 1060 Certified Core:** Two L125-G5

**Standard Features:**

- TEFC Premium efficiency motors
- Motor starters
- Non-fused disconnect
- 24 VAC transformer/relay package
- Cross-core differential pressure ports

**Filters:**

Total qty. 4, MERV 8: 20" x 20" x 2"

**Unit Weight:**

363-583 lbs., varies by option(s)

**Max. Shipping Dimensions & Weight (on pallet):**

70" L x 47" W x 57" H

678 lbs.

**Motor(s):**

Qty. 2, Belt drive blower/standard motor packages with adjustable sheaves (see table below)

**Options:**

- Onboard variable frequency drives (VFDs) - both airstreams
- Shaft grounding ring on motors with VFDs
- Fused disconnect
- Integrated programmable controls - enhanced, premium
- Bypass economizer damper (see bypass DIM drawing) - dry-bulb temperature controls (standard), enthalpy controls (option)
- Class 1 low leakage motorized isolation dampers - OA, RA or both airstreams
- Qty. 2, Factory mounted filter alarms - both airstreams
- Double wall construction
- Exterior paint - white, custom colors

**Accessories:**

- Filters - MERV 13, 2" (shipped loose)
- Automatic balancing damper - 4", 5", 6"
- Digital time clock - wall mount (TC7D-W), in exterior enclosure (TC7D-E)
- Carbon dioxide sensor/control - wall mount (CO2-W), duct mount (CO2-D)
- IAQ sensor - wall mount (IAQ-W), duct mount (IAQ-D)
- Motion occupancy sensor/control - ceiling mount (MC-C), wall mount (MC-W)
- Smoke Detector - duct mount (SD-D)
- Electric duct heater - EK series (1-175 kW)
- Indirect gas-fired duct furnace - GH series (50-400 MBH), installed downstream of any fans

AIRFLOW PERFORMANCE

Motor HP	Blower RPM	Sheave Adj. Turns Open	External Static Pressure (in. w.g.)													
			0.00		0.25		0.50		0.75		1.00		1.25		1.50	
			SCFM	BHP	SCFM	BHP	SCFM	BHP	SCFM	BHP	SCFM	BHP	SCFM	BHP	SCFM	BHP
1.5	1146	4	1735	0.8	1670	0.7	1520	0.7	1205	0.5	900	0.4				
	1302	2	1975	1.1	1925	1.1	1835	1.0	1615	0.9	1340	0.8	1080	0.6	670	0.4
	1458	0					2100	1.5	1970	1.4	1755	1.3	1495	1.1	1280	0.9
2.0	1503	2					2175	1.7	2100	1.6	1945	1.4	1700	1.2	1465	1.0
	1581	1								2120	1.7	1920	1.5	1685	1.2	
	1658	0										2125	1.9	1900	1.6	

**Note:** Brake Horse Power (BHP) is for one blower motor package only.   Operation in this zone will likely exceed FLA limits.   Operation in this zone outside of core airflow limits.

**Note:** Airflow performance includes effect of clean, standard filter supplied with unit.

ELECTRICAL DATA

Standard Electrical Specifications							Optional Factory Installed VFD Electrical Specifications		
HP	Volts	HZ	Phase	FLA per motor	Min. Cir. Amps	Max. Overcurrent Protection Device	FLA per motor	Min. Cir. Amps	Max. Overcurrent Protection Device
1.5	120	60	Single	15.2	34.2	45			
1.5	208-230	60	Single	8.2-7.6	18.5	25	4.6-4.8	20.6	25
	208-230	60	Three	4.6-4.8	10.8	15	4.6-4.8	11.9	15
	460	60	Three	2.4	5.4	15	2.4	5.9	15
	575	60	Three	1.8	4.1	15	1.8	4.5	15
2.0	120	60	Single	20.0	45.0	60			
2.0	208-230	60	Single	10.8-10.0	24.3	35	6.6-5.8	28.3	30
	208-230	60	Three	6.6-5.8	14.9	20	6.6-5.8	16.3	20
	460	60	Three	2.9	6.5	15	2.9	7.2	15
	575	60	Three	2.4	5.4	15	2.4	5.9	15

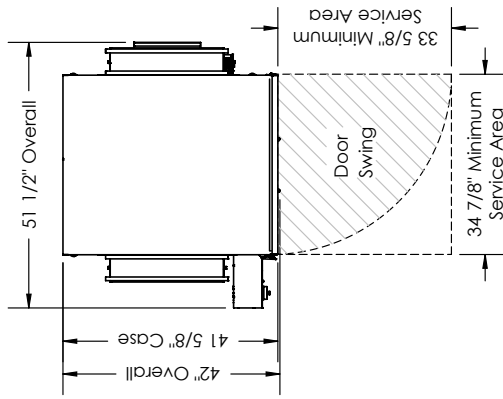


**ABBREVIATIONS**  
 EA: Exhaust Air to outside  
 OA: Outside Air intake  
 RA: Room Air to be exhausted  
 FA: Fresh Air to inside  
 BP: Bypass Air intake

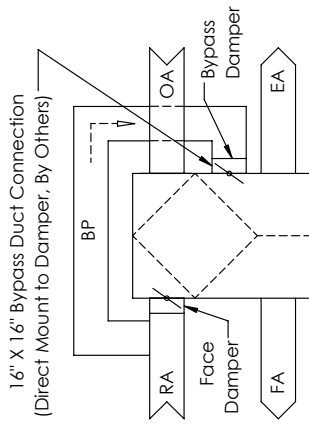
**INSTALLATION ORIENTATION**  
 Unit must be installed in orientation shown.

**NOTE**

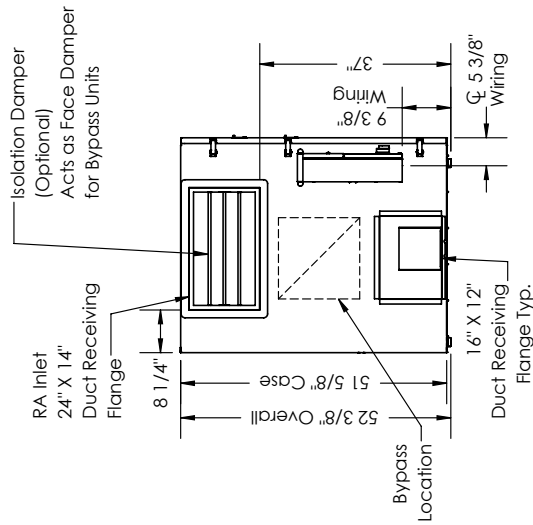
1. UNLESS OTHERWISE SPECIFIED, DIMENSIONS ARE ROUNDED TO THE NEAREST EIGHTH OF AN INCH.
2. SPECIFICATIONS MAY BE SUBJECT TO CHANGE WITHOUT NOTICE.
3. MIN. DUCT CLEARANCE FROM DAMPER BLADE WHEN FULLY OPENED TO BE 2". SMA/CNA RULES APPLY.
4. UNITS WITH BYPASS WILL REQUIRE ADDITIONAL SPACE FOR THE CONNECTION OF THE BYPASS DUCT (BY OTHERS).
5. FOR INSTALLATION DETAILS, REFER TO I&O MANUAL SUPPLEMENT FOR BYPASS.



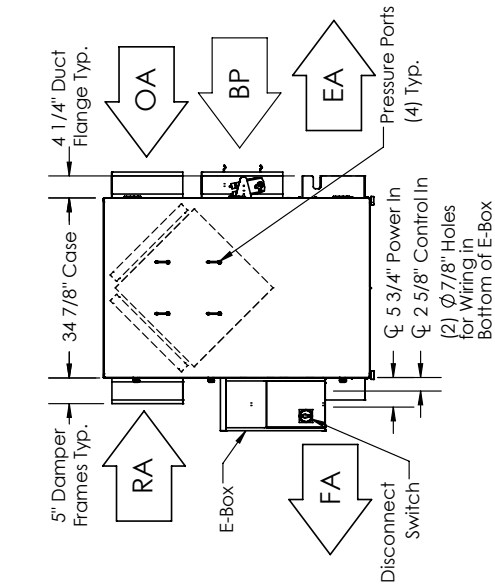
TOP VIEW



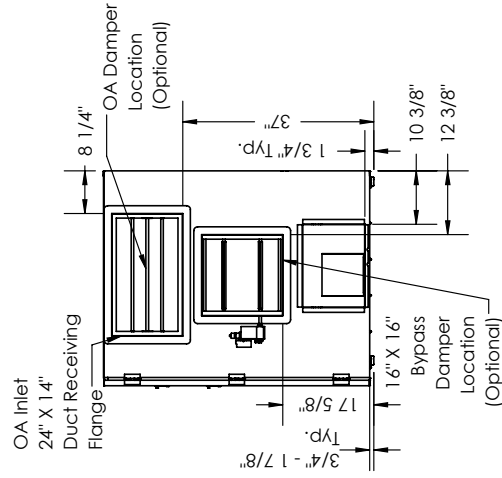
BYPASS AIRFLOW SCHEMATIC FRONT VIEW



LEFT VIEW



FRONT VIEW



RIGHT VIEW

**AIRFLOW ORIENTATION**

Available as shown in dimension drawing.

**UNIT MOUNTING & APPLICATION**

Must be mounted as shown. Airstreams can not be switched.

