



ENERGY RECOVERY VENTILATOR



INDOOR UNIT



SPECIFICATIONS

Ventilation Type:
Static plate, heat and humidity transfer

Airflow Range: 500–2,200 CFM

AHRI 1060 Certified Core: Two L125-G5

Standard Features:
TEFC Premium efficiency motors
Motor starters
Non-fused disconnect
24VAC transformer/relay package
Cross-core differential pressure ports

Filters:
Total qty. 4, MERV 8: 20" x 20" x 2"

Unit Weight:
363–583 lbs., varies by option(s)

Max. Shipping Dimensions & Weight (on pallet):
70" L x 47" W x 57" H
678 lbs.

Motor(s):
Qty. 2, Belt drive blower/standard motor packages with adjustable sheaves

Options:
Onboard variable frequency drives (VFDs): both airstreams
Shaft grounding ring on motors with VFDs
Fused disconnect
Integrated programmable controls: enhanced, premium
Bypass economizer damper (see DIM drawing): dry-bulb temperature controls (standard), enthalpy controls (option)
Class 1 low leakage motorized isolation dampers: OA, RA or both airstreams
Factory mounted filter alarms: both airstreams
Double wall construction
Exterior paint: white, custom colors

Accessories:
Filters: MERV 13, 2" (shipped loose)
Automatic balancing damper: 4", 5", 6"
Digital time clock: wall mount (TC7D-W), in exterior enclosure (TC7D-E)
Carbon dioxide sensor/control: wall mount (CO2-W), duct mount (CO2-D)
IAQ sensor: wall mount (IAQ-W), duct mount (IAQ-D)
Motion occupancy sensor/control: ceiling mount (MC-C), wall mount (MC-W)
Smoke detector: duct mount (SD-D)
Indoor electric duct heater: EK series (1–175 kW)
Indirect gas-fired duct furnace: GH series (50–400 MBH); installed downstream of any fans

Energy recovery core is AHRI Certified®



AIRFLOW PERFORMANCE

Blower RPM	External Static Pressure (Inches Water Column)															
	0.25		0.50		0.75		1.00		1.25		1.50		1.75		2.00	
	SCFM	BHP	SCFM	BHP	SCFM	BHP	SCFM	BHP	SCFM	BHP	SCFM	BHP	SCFM	BHP	SCFM	BHP
800	573	0.3														
900	778	0.4														
1000	983	0.5	687	0.4												
1100	1181	0.6	927	0.5	612	0.4										
1200	1370	0.8	1151	0.7	889	0.6	561	0.5								
1300	1552	1.0	1363	0.9	1140	0.7	870	0.6	541	0.5						
1400	1732	1.2	1567	1.1	1375	1.0	1148	0.8	874	0.7	550	0.6				
1500	1912	1.5	1766	1.4	1599	1.2	1405	1.1	1175	0.9	902	0.8	586	0.6		
1600	2093	1.8	1961	1.7	1813	1.6	1645	1.4	1451	1.2	1222	1.1	952	0.9	646	0.7
1700					2018	1.9	1870	1.8	1703	1.6	1511	1.4	1286	1.2	1024	1.0

Operation in this zone will likely exceed FLA limits.

Operation in this zone outside of core airflow limits.

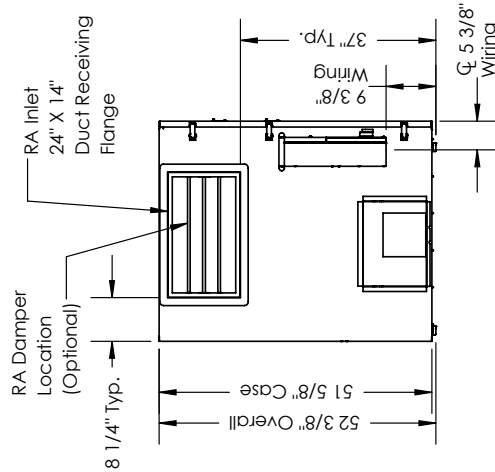
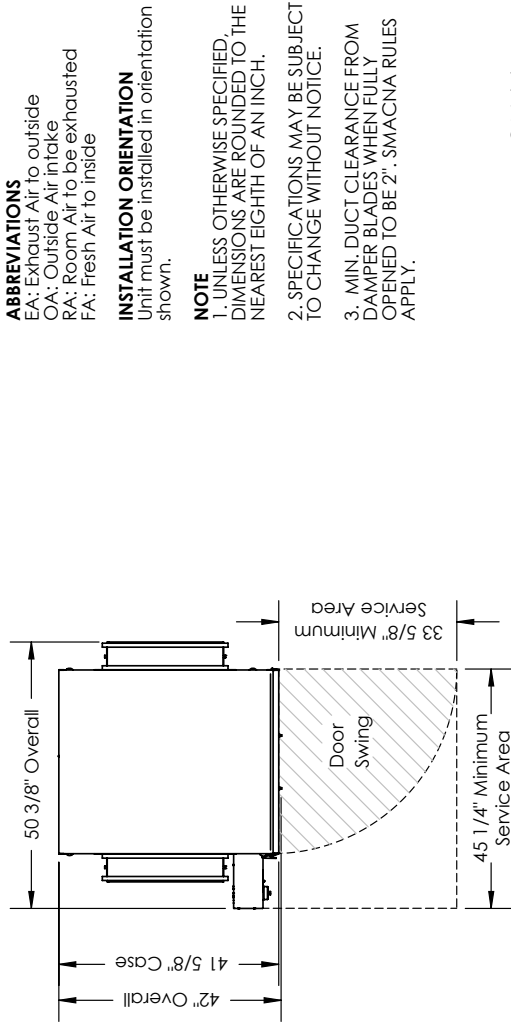
Note: Brake horsepower (BHP) is for one blower motor package only. Airflow performance includes effect of clean, standard filter supplied with unit.

ELECTRICAL DATA

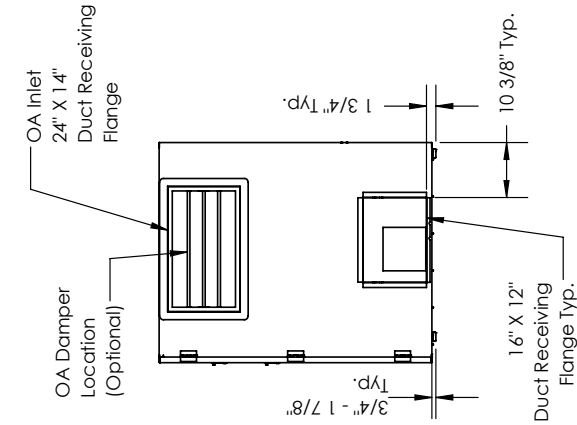
Standard Electrical Specifications							Optional Factory Installed VFD Electrical Specifications		
HP	Volts	Hz	Phase	FLA per motor	Min. Cir. Amps	Max. Overcurrent Protection Device	FLA per motor	Min. Cir. Amps	Max. Overcurrent Protection Device
1.5	120	60	Single	15.2	34.2	45.0			
1.5	208–230	60	Single	8.2–7.6	18.5	25.0	4.6–4.8	20.6	25.0
	208–230	60	Three	4.6–4.8	10.8	15.0	4.6–4.8	11.9	15.0
	460	60	Three	2.4	5.4	15.0	2.4	5.9	15.0
	575	60	Three	1.8	4.1	15.0	1.8	4.5	15.0
2.0	120	60	Single	20.0	45.0	60.0			
2.0	208–230	60	Single	10.8–10.0	24.3	35.0	6.6–5.8	28.3	30.0
	208–230	60	Three	6.6–5.8	14.9	20.0	6.6–5.8	16.3	20.0
	460	60	Three	2.9	6.5	15.0	2.9	7.2	15.0
	575	60	Three	2.4	5.4	15.0	2.4	5.9	15.0



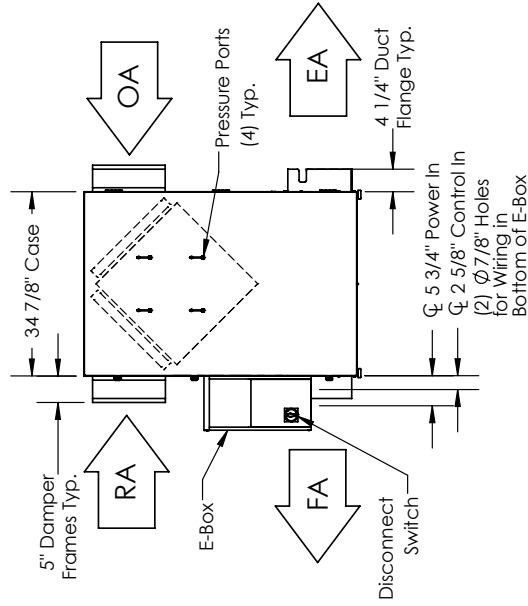
HE2XIN[®] ENERGY RECOVERY VENTILATOR



TOP VIEW



RIGHT VIEW



FRONT VIEW

ABBREVIATIONS

- EA: Exhaust Air to outside
- OA: Outside Air intake
- RA: Room Air to be exhausted
- FA: Fresh Air to inside

INSTALLATION ORIENTATION

Unit must be installed in orientation shown.

NOTE

1. UNLESS OTHERWISE SPECIFIED, DIMENSIONS ARE ROUNDED TO THE NEAREST EIGHTH OF AN INCH.
2. SPECIFICATIONS MAY BE SUBJECT TO CHANGE WITHOUT NOTICE.
3. MIN. DUCT CLEARANCE FROM DAMPER BLADES WHEN FULLY OPENED TO BE 2". SMACNA RULES APPLY.

AIRFLOW ORIENTATION

Available as shown in dimension drawing.



UNIT MOUNTING & APPLICATION

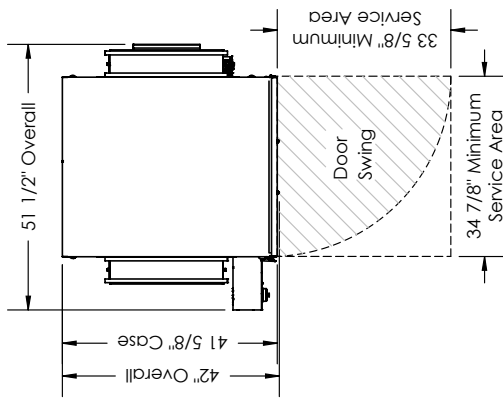
Must be mounted as shown. RA/EA airstream can be switched with OA/FA airstream unless certain options are selected.

HE2XIN^V ENERGY RECOVERY VENTILATOR WITH BYPASS ECONOMIZER

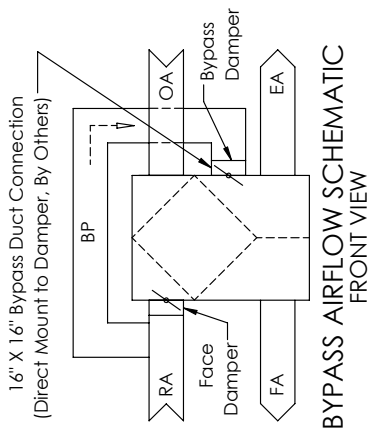
ABBREVIATIONS
 EA: Exhaust Air to outside
 OA: Outside Air intake
 RA: Room Air to be exhausted
 FA: Fresh Air to inside
 BP: Bypass Air Intake

INSTALLATION ORIENTATION
 Unit must be installed in orientation shown.

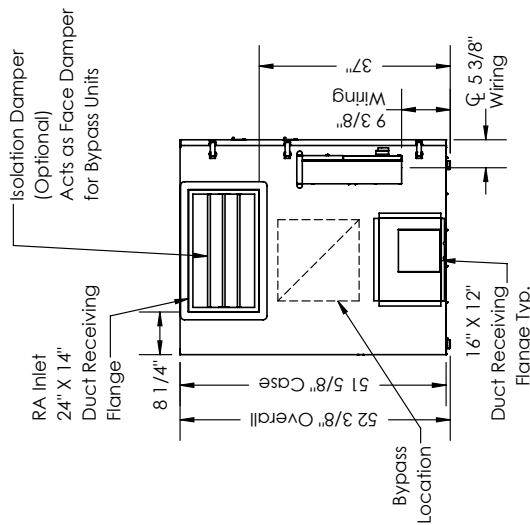
NOTE
 1. UNLESS OTHERWISE SPECIFIED, DIMENSIONS ARE ROUNDED TO THE NEAREST EIGHTH OF AN INCH.
 2. SPECIFICATIONS MAY BE SUBJECT TO CHANGE WITHOUT NOTICE.
 3. MIN. DUCT CLEARANCE FROM DAMPER BLADE WHEN FULLY OPENED TO BE 2". SMACNA RULES APPLY.
 4. UNITS WITH BYPASS WILL REQUIRE ADDITIONAL SPACE FOR THE CONNECTION OF THE BYPASS DUCT (BY OTHERS).
 5. FOR INSTALLATION DETAILS, REFER TO I&O MANUAL SUPPLEMENT FOR BYPASS.



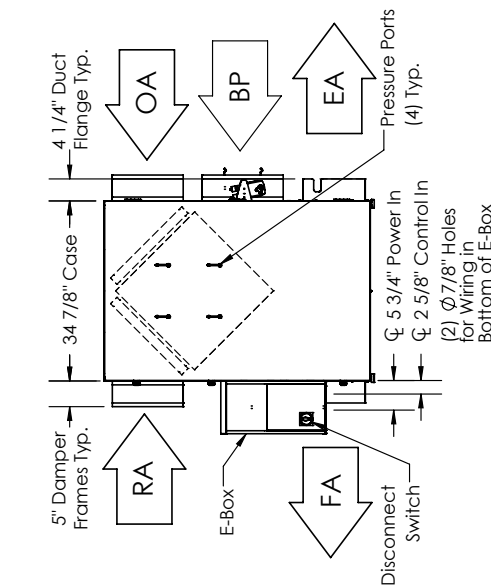
TOP VIEW



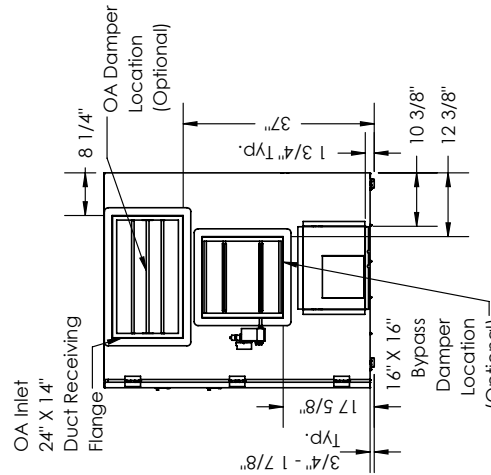
BYPASS AIRFLOW SCHEMATIC FRONT VIEW



LEFT VIEW



FRONT VIEW



RIGHT VIEW

AIRFLOW ORIENTATION
 Available as shown in dimension drawing.

UNIT MOUNTING & APPLICATION
 Must be mounted as shown. Airstreams cannot be switched.

