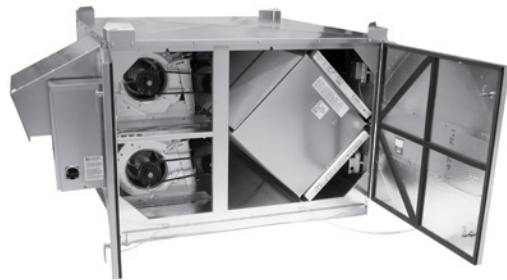




Energy Recovery Ventilator Standard



ROOFTOP UNIT



Energy Recovery Core is AHRI Certified®



SPECIFICATIONS

Ventilation Type:

Static plate, heat and humidity transfer

Typical Airflow Range: 750-3,300 CFM

AHRI 1060 Certified Core: Three L125-G5

Standard Features:

- TEFC Premium efficiency motors
- Motor starters
- Non-fused disconnect
- 24 VAC transformer/relay package
- Cross-core differential pressure ports

Filters:

Total qty. 6, MERV 8: 20" x 20" x 2"

Unit Weight:

656-972 lbs., varies by option(s)

Max. Shipping Dimensions & Weight (on pallet):

80" L x 70" W x 67" H
1,067 lbs.

Motor(s):

Qty. 2, Belt drive blower/standard motor packages with adjustable sheaves (see table below)

Options:

- Onboard variable frequency drives (VFDs) - both airstreams
 - Shaft grounding ring on motors with VFDs
 - Fused disconnect
 - Integrated programmable controls - enhanced, premium
 - Class 1 low leakage motorized isolation dampers - OA, RA or both airstreams
 - Qty. 2, Factory mounted filter alarms - both airstreams
 - Double wall construction
 - Exterior paint - white, custom colors
- ### Accessories:
- Filters - MERV 13, 2" (shipped loose)
 - Automatic balancing damper - 4", 5", 6"
 - Roof curb - standard 14"
 - Curb wind clip
 - Engineered combo curb for Carrier RTU
 - Engineered combo curb for Trane RTU
 - Digital time clock - wall mount (TC7D-W), in exterior enclosure (TC7D-E)
 - Carbon dioxide sensor/control - wall mount (CO2-W), duct mount (CO2-D)
 - IAQ sensor - wall mount (IAQ-W), duct mount (IAQ-D)
 - Motion occupancy sensor/control - ceiling mount (MC-C), wall mount (MC-W)
 - Smoke Detector - duct mount (SD-D)
 - Electric duct heater - EK series (1-175 kW); designed for indoor ductwork installation only
 - Indirect gas-fired duct furnace - GH series (50-400 MBH), installed downstream of any fans

AIRFLOW PERFORMANCE

Motor HP	Blower RPM	Sheave Adj. Turns Open	External Static Pressure (in. w.g.)													
			0.00		0.25		0.50		0.75		1.00		1.25		1.50	
			SCFM	BHP	SCFM	BHP	SCFM	BHP	SCFM	BHP	SCFM	BHP	SCFM	BHP	SCFM	BHP
2.0	1207	4	2130	1.0	1940	0.8	1695	0.6	1340	0.4						
	1347	2	2380	1.4	2210	1.2	2005	1.0	1725	0.8	1365	0.5				
	1488	0	2630	1.9	2470	1.6	2300	1.4	2100	1.2	1800	0.9	1435	0.7	820	0.4
3.0	1533	3	2790	2.5	2660	2.3	2500	2.1	2290	1.8	2040	1.6	1765	1.3	1265	1.0
	1597	2	2905	2.8	2785	2.6	2630	2.4	2340	2.1	2200	1.9	1955	1.6	1640	1.3
	1661	0.5			2810	3.0	2760	2.7	2585	2.5	2365	2.2	2140	1.9	1890	1.6
	1692	0					2820	2.9	2665	2.7	2450	2.4	2220	2.1	1980	1.8
5.0	1686	3	3110	3.5	3000	3.2	2890	3.0	2730	2.7	2520	2.4	2295	2.1	2000	1.8
	1764	1.5	3255	4.0	3150	3.7	3045	3.5	2905	3.2	2720	2.9	2520	2.5	2270	2.2
	1843	0			3300	4.2	3200	4.0	3075	3.7	2910	3.4	2715	3.0	2500	2.7

Note: Brake Horse Power (BHP) is for one blower motor package only. Operation in this zone will likely exceed FLA limits. Operation in this zone outside of core airflow limits.

Note: Airflow performance includes effect of clean, standard filter supplied with unit.

ELECTRICAL DATA

Standard Electrical Specifications							Optional Factory Installed VFD Electrical Specifications		
HP	Volts	HZ	Phase	FLA per motor	Min. Cir. Amps	Max. Overcurrent Protection Device	FLA per motor	Min. Cir. Amps	Max. Overcurrent Protection Device
2.0	120	60	Single	20.0	45.0	60			
2.0	208-230	60	Single	10.8-10.0	24.3	35	6.6-5.8	28.3	30
	208-230	60	Three	6.6-5.8	14.9	20	6.6-5.8	16.3	20
	460	60	Three	2.9	6.5	15	2.9	7.2	15
	575	60	Three	2.4	5.4	15	2.4	5.9	15
3.0	208-230	60	Single	14.7-14	33.1	40	9.4-8.5	40.2	45
	208-230	60	Three	9.4-8.5	21.1	25	9.4-8.5	23.2	25
	460	60	Three	4.2	9.5	15	4.24	10.5	15
	575	60	Three	3.3	7.4	15	3.3	8.2	15
5.0	208-230	60	Three	14.5-13.4	32.6	45	14.5-13.4	35.9	45
	460	60	Three	6.7	15.1	20	6.7	16.6	20
	575	60	Three	5.3	11.9	15	5.3	13.1	15

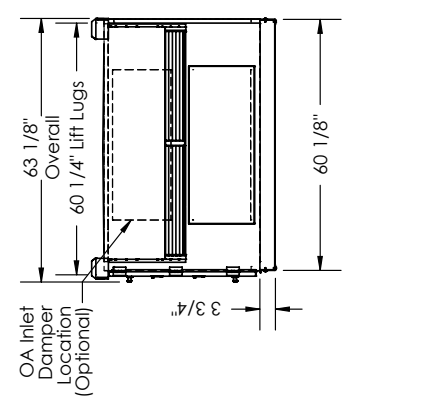
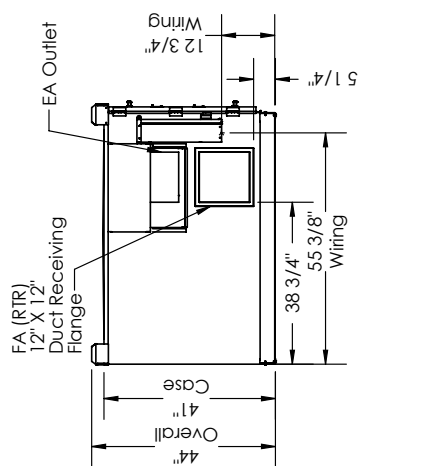
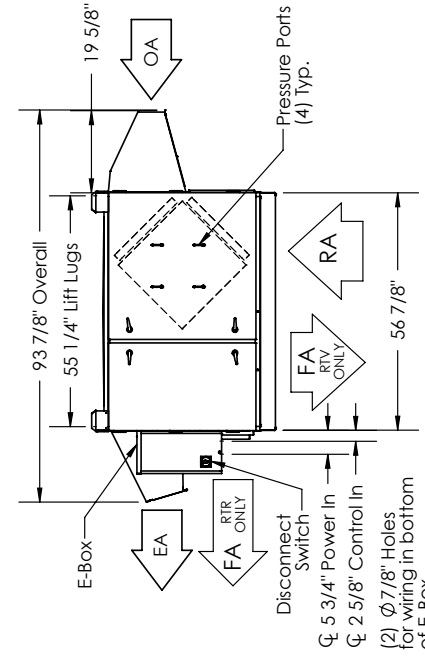
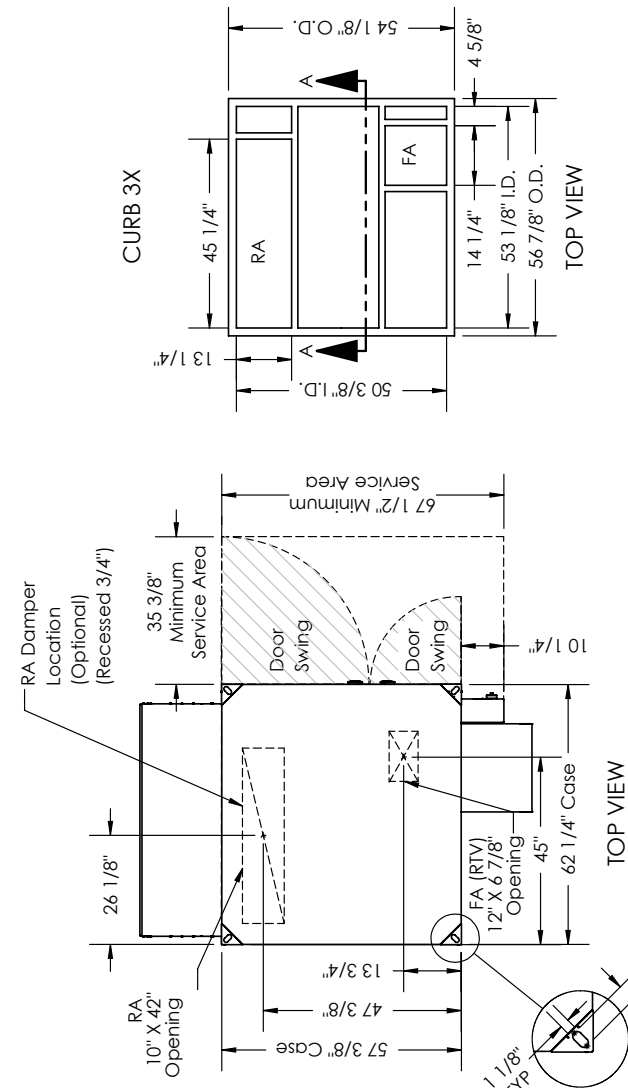
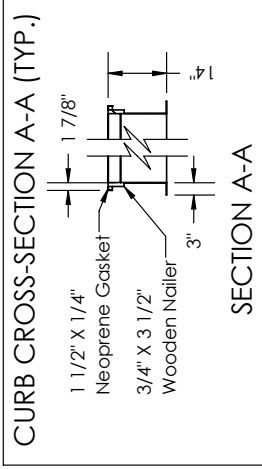


HE3XRT (RTV/RTR) Energy Recovery Ventilator Standard

ABBREVIATIONS
 EA: Exhaust Air to outside
 OA: Outside Air intake
 RA: Room Air to be exhausted
 FA: Fresh Air to inside
 RTV: Rooftop Vertical RA & FA
 RTR: Rooftop Vertical RA Only

INSTALLATION ORIENTATION
 Unit must be installed in orientation shown.

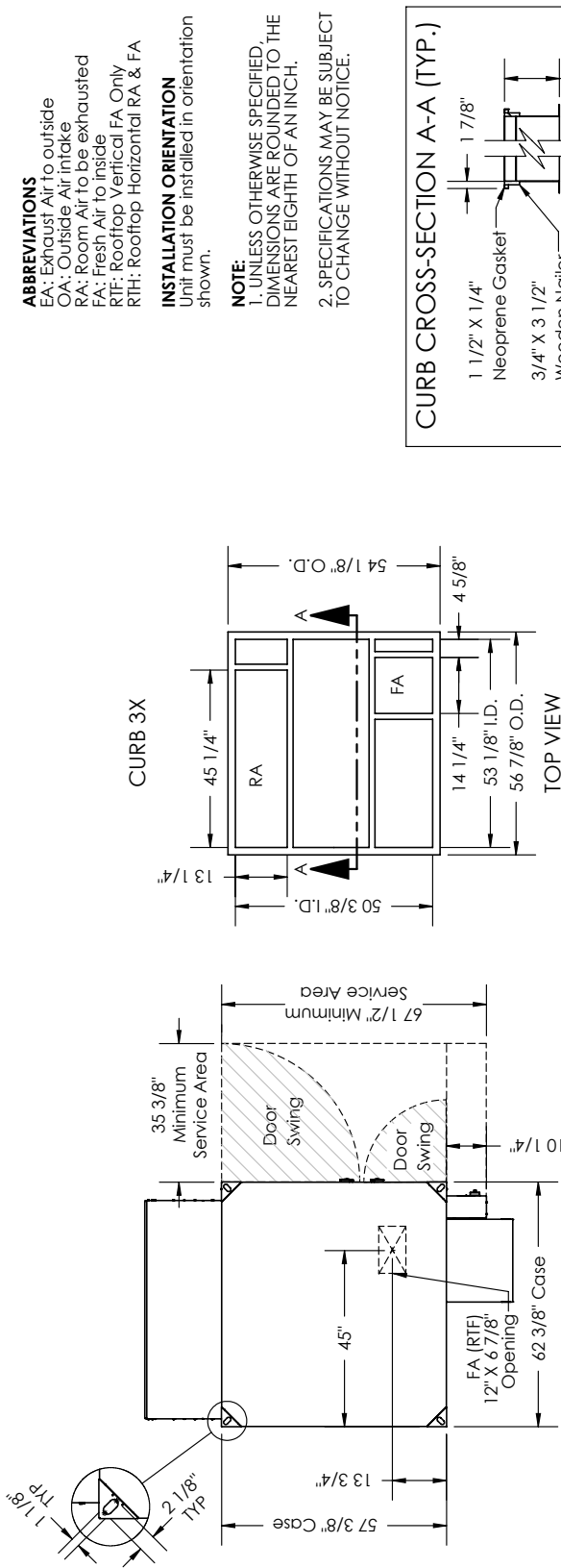
NOTE:
 1. UNLESS OTHERWISE SPECIFIED, DIMENSIONS ARE ROUNDED TO THE NEAREST EIGHTH OF AN INCH.
 2. SPECIFICATIONS MAY BE SUBJECT TO CHANGE WITHOUT NOTICE.



AIRFLOW ORIENTATION
 Available as shown:

UNIT MOUNTING & APPLICATION
 Must be mounted as shown. Airstreams can not be switched.

HE3XRT (RTH/RTF) Energy Recovery Ventilator Standard



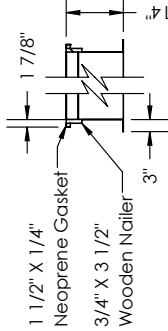
ABBREVIATIONS

- EA: Exhaust Air to outside
- OA: Outside Air Intake
- RA: Room Air to be exhausted
- FA: Fresh Air to inside
- RTF: Rooftop Vertical FA Only
- RTH: Rooftop Horizontal RA & FA

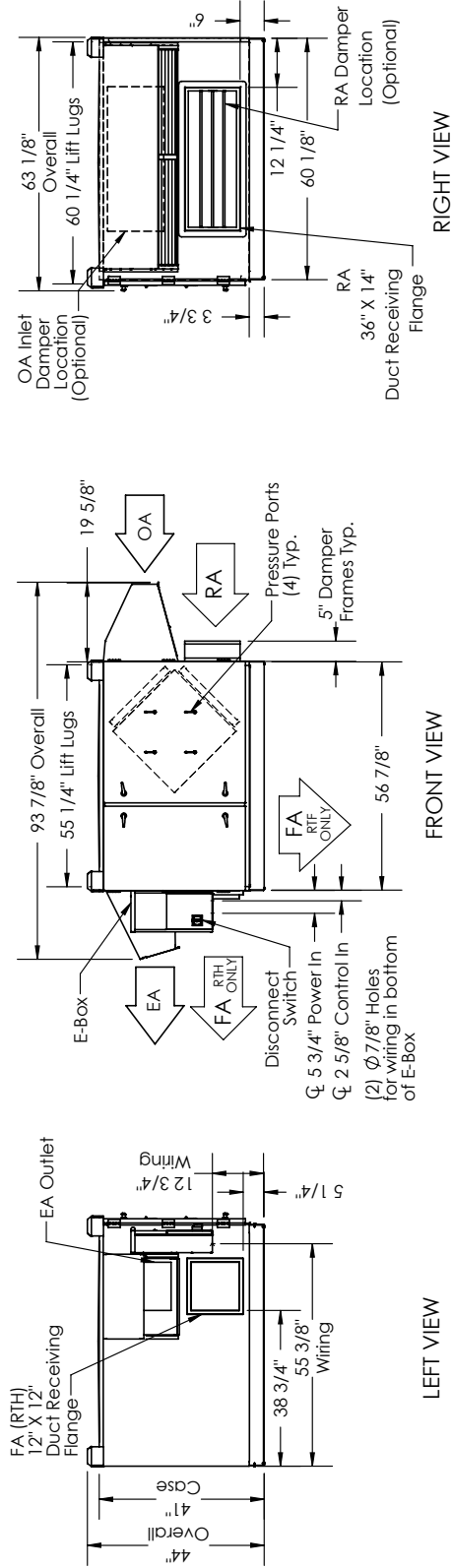
INSTALLATION ORIENTATION
Unit must be installed in orientation shown.

- NOTE:**
1. UNLESS OTHERWISE SPECIFIED, DIMENSIONS ARE ROUNDED TO THE NEAREST EIGHTH OF AN INCH.
 2. SPECIFICATIONS MAY BE SUBJECT TO CHANGE WITHOUT NOTICE.

CURB CROSS-SECTION A-A (TYP.)

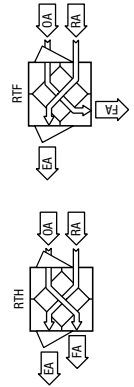


SECTION A-A



AIRFLOW ORIENTATION

Available as shown:



UNIT MOUNTING & APPLICATION
Must be mounted as shown. Airstreams can not be switched.

