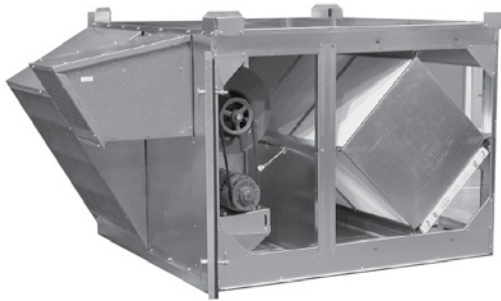




Energy Recovery Ventilator  
Standard



ROOFTOP UNIT  
Direct Connect



Energy Recovery Core is AHRI Certified®



SPECIFICATIONS

**Ventilation Type:**  
Static plate, heat and humidity transfer

**Typical Airflow Range:** 1,100-2,400 CFM

**AHRI 1060 Certified Core:** Three L125-G5

**Standard Features:**  
TEFC Premium efficiency motors  
Motor starters  
Non-fused disconnect  
24 VAC transformer/relay package  
Cross-core differential pressure ports

**Filters:**  
Total qty. 5, MERV 8: (3) 20" x 20" x 2" and (2) 16" x 25" x 2"

**Unit Weight:**  
713-1,084 lbs., varies by option(s)

**Max. Shipping Dimensions & Weight (on pallet):**  
80" L x 90" W x 80" H  
1,225 lbs.

**Motor(s):**  
Qty. 2, 3.0 HP ea., Belt drive blower/standard motor packages with adjustable sheaves

**Options:**  
Onboard variable frequency drives (VFDs) - both airstreams  
Shaft grounding ring on motors with VFDs  
Fused disconnect  
Integrated programmable controls - enhanced, premium  
Qty. 2, Factory mounted filter alarms - both airstreams  
Double wall construction  
Exterior paint - white, custom colors

**Accessories:**  
Filters - MERV 13, 2" (shipped loose)  
Automatic balancing damper - 4", 5", 6"  
RTC transition kit - for vertical RTU, for horizontal RTU  
Rooftop RTC transition paint - white, custom colors  
Digital time clock - wall mount (TC7D-W), in exterior enclosure (TC7D-E)  
Carbon dioxide sensor/control - wall mount (CO2-W), duct mount (CO2-D)  
IAQ sensor - wall mount (IAQ-W), duct mount (IAQ-D)  
Motion occupancy sensor/control - ceiling mount (MC-C), wall mount (MC-W)  
Smoke Detector - duct mount (SD-D)

**Note:** Electric Duct Heater and Indirect Gas-Fired Duct Furnace are not available on RTC units.

AIRFLOW PERFORMANCE

	Blower RPM Nominal	Sheave Adj. Turns Open	Tie-In Directly to Rooftop A/C Unit*						Unit Ducted Independently*							
			Static Pressure in Adjacent Air Handler (Inches Water Column)						External Static Pressure (Inches Water Column)							
			-0.75		-0.5		-0.25		0.0		+0.25		+0.5		+0.75	
			CFM	BHP	CFM	BHP	CFM	BHP	CFM	BHP	CFM	BHP	CFM	BHP	CFM	BHP
Exhaust Air	1510	0	2010	2.7											2010	2.7
	1465	1	1920	2.3	2130	2.9							2130	2.9	1920	2.3
	1420	2	1830	1.9	2035	2.5	2240	3.0			2240	3.0	2035	2.5	1830	1.9
	1375	3	1750	1.1	1945	1.9	2140	2.6	2400	2.7	2140	2.6	1945	1.9	1750	1.1
	1330	4	1690	1.0	1860	1.5	2030	1.9	2330	2.6	2030	1.9	1860	1.5	1690	1.0
	1285	5	1510	0.9	1725	1.0	1940	1.1	2250	2.1	1940	1.1	1725	1.0	1510	0.9
	1240	6	1320	0.8	1590	0.5	1860	0.3	2165	1.5	1860	0.3	1590	0.5	1320	0.8
Fresh Air	1825	0							2250	2.9	2100	2.5	1865	2.3	1630	2.1
	1770	1			2525	3.0	2338	2.7	2195	2.6	2025	2.3	1785	2.1	1545	1.8
	1715	2	2605	2.7	2430	2.6	2255	2.4	2120	2.3	1960	2.0	1700	1.2	1440	1.4
	1660	3	2515	2.4	2345	2.2	2175	1.9	2050	1.8	1900	1.6	1620	0.6	1340	1.0
	1605	4	2430	2.2	2270	1.8	2110	1.3	1980	1.3	1830	1.3	1560	0.4	1290	0.5
	1550	5	2355	1.2	2185	1.1	2015	1.0	1900	0.6	1765	0.4	1540	0.3	1200	0.4
	1495	6	2230	0.8	2090	0.7	1950	0.5	1840	0.4	1730	0.3	1500	0.2	1100	0.2

**Note:** Brake Horse Power (BHP) is for one blower motor package only.   Operation in this zone will likely exceed FLA limits.

**Note:** Airflow performance includes effect of clean, standard filter supplied with unit.

\* See page 38 for installation details.

ELECTRICAL DATA

Standard Electrical Specifications							Optional Factory Installed VFD Electrical Specifications		
HP	Volts	HZ	Phase	FLA per motor	Min. Cir. Amps	Max. Overcurrent Protection Device	FLA per motor	Min. Cir. Amps	Max. Overcurrent Protection Device
3.0	208-230	60	Single	14.7-14	33.1	40	9.4-8.5	40.2	45
	208-230	60	Three	9.4-8.5	21.1	25	9.4-8.5	23.2	25
	460	60	Three	4.2	9.5	15	4.24	10.5	15
	575	60	Three	3.3	7.4	15	3.3	8.2	15

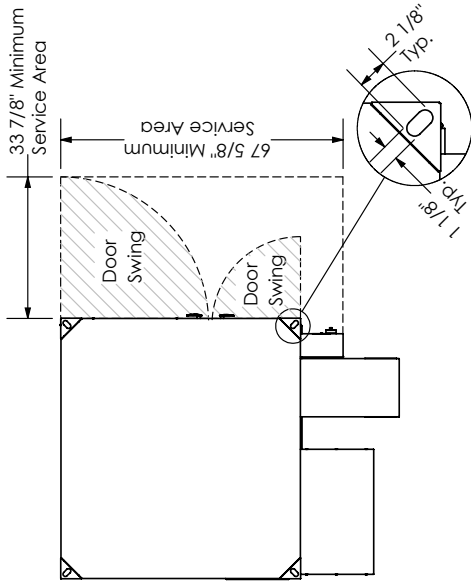


**HE3XRTC** Energy Recovery Ventilator Standard

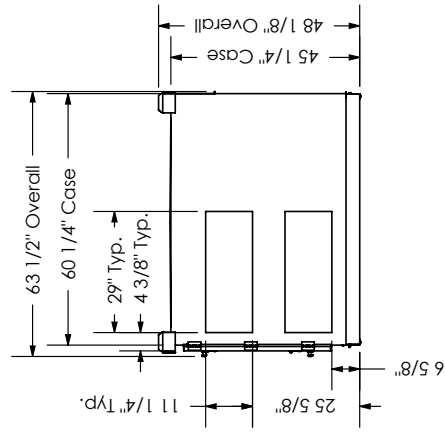
**ABBREVIATIONS**  
 EA: Exhaust Air to outside  
 OA: Outside Air intake  
 RA: Room Air to be exhausted  
 FA: Fresh Air to inside

**INSTALLATION ORIENTATION**  
 Unit must be installed in orientation shown.

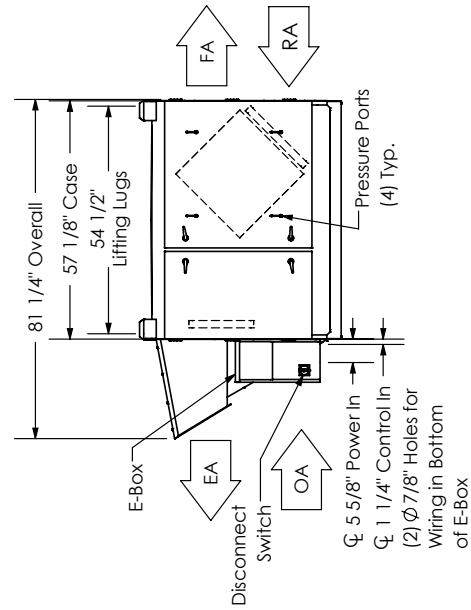
**NOTE:**  
 1. UNLESS OTHERWISE SPECIFIED, DIMENSIONS ARE ROUNDED TO THE NEAREST EIGHTH OF AN INCH.  
 2. SPECIFICATIONS MAY BE SUBJECT TO CHANGE WITHOUT NOTICE.



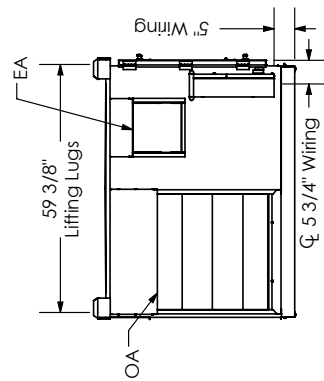
TOP VIEW



FRONT VIEW



LEFT VIEW



RIGHT VIEW

**AIRFLOW ORIENTATION**  
 Available as shown in dimension drawing.



**UNIT MOUNTING & APPLICATION**  
 Must be mounted as shown. Airstreams can not be switched.



**AIRFLOW ORIENTATION**  
 Available as shown in dimension drawing.



**UNIT MOUNTING & APPLICATION**  
 Must be mounted as shown. Airstreams can not be switched.



**AIRFLOW ORIENTATION**  
 Available as shown in dimension drawing.



**UNIT MOUNTING & APPLICATION**  
 Must be mounted as shown. Airstreams can not be switched.



**AIRFLOW ORIENTATION**  
 Available as shown in dimension drawing.



**UNIT MOUNTING & APPLICATION**  
 Must be mounted as shown. Airstreams can not be switched.